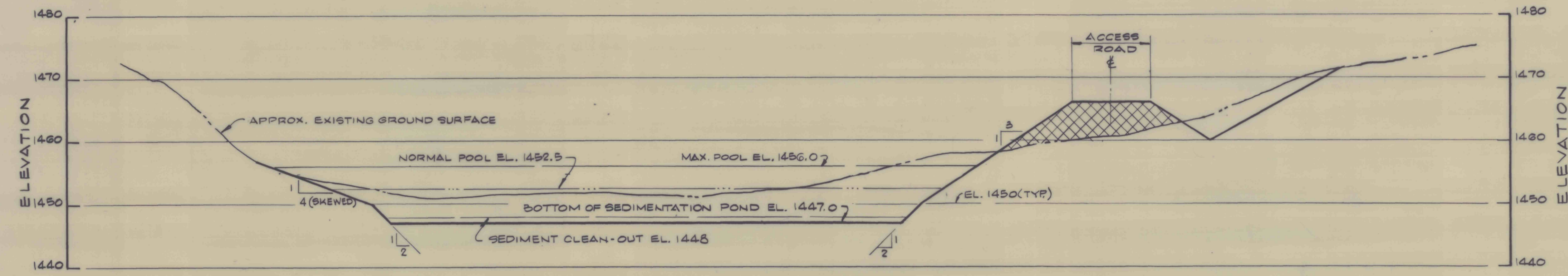


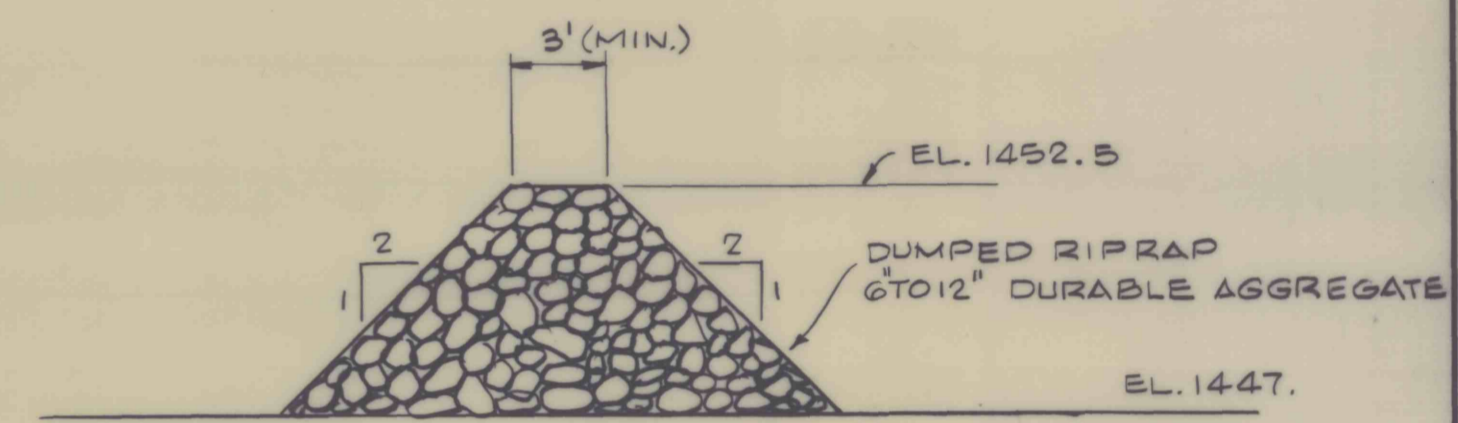
SECTION D-D (DWG 82-312-E5)

SCALE: 1" = 20' HORIZ.
1" = 10' VERT.



SECTION C-C (DWG 82-312-E5)

SCALE: 1" = 20' HORIZ.
1" = 10' VERT.

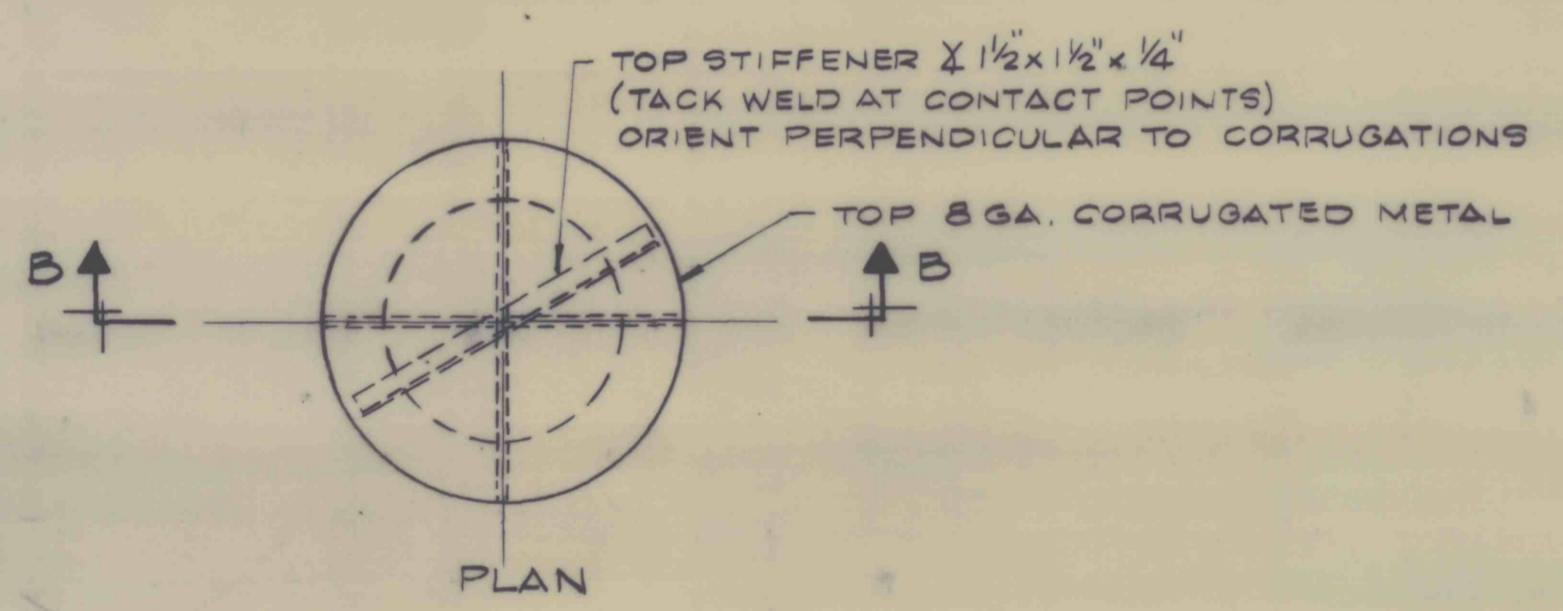


DUMPED RIPRAP BARRIER DETAIL

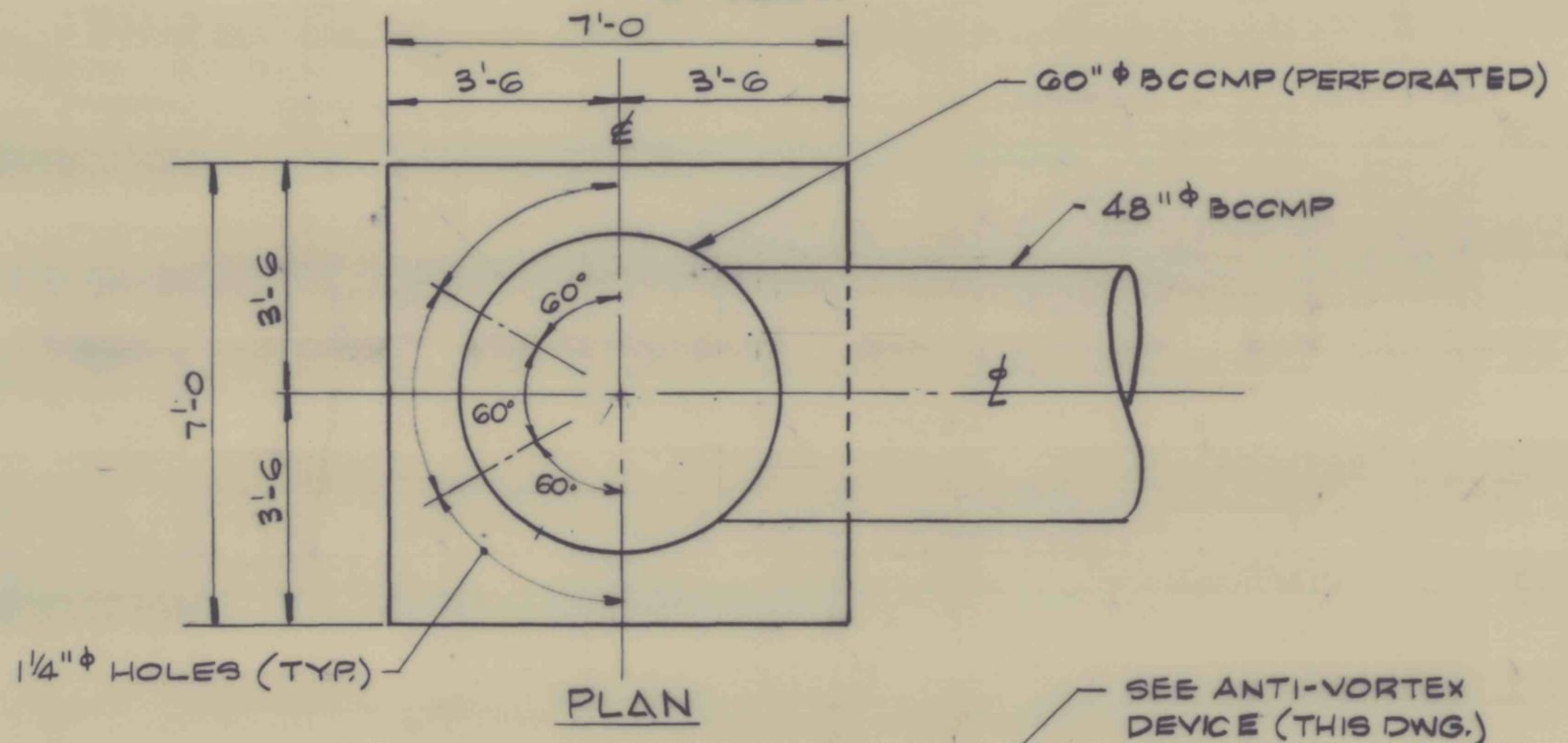
SCALE: NONE

NOTES:

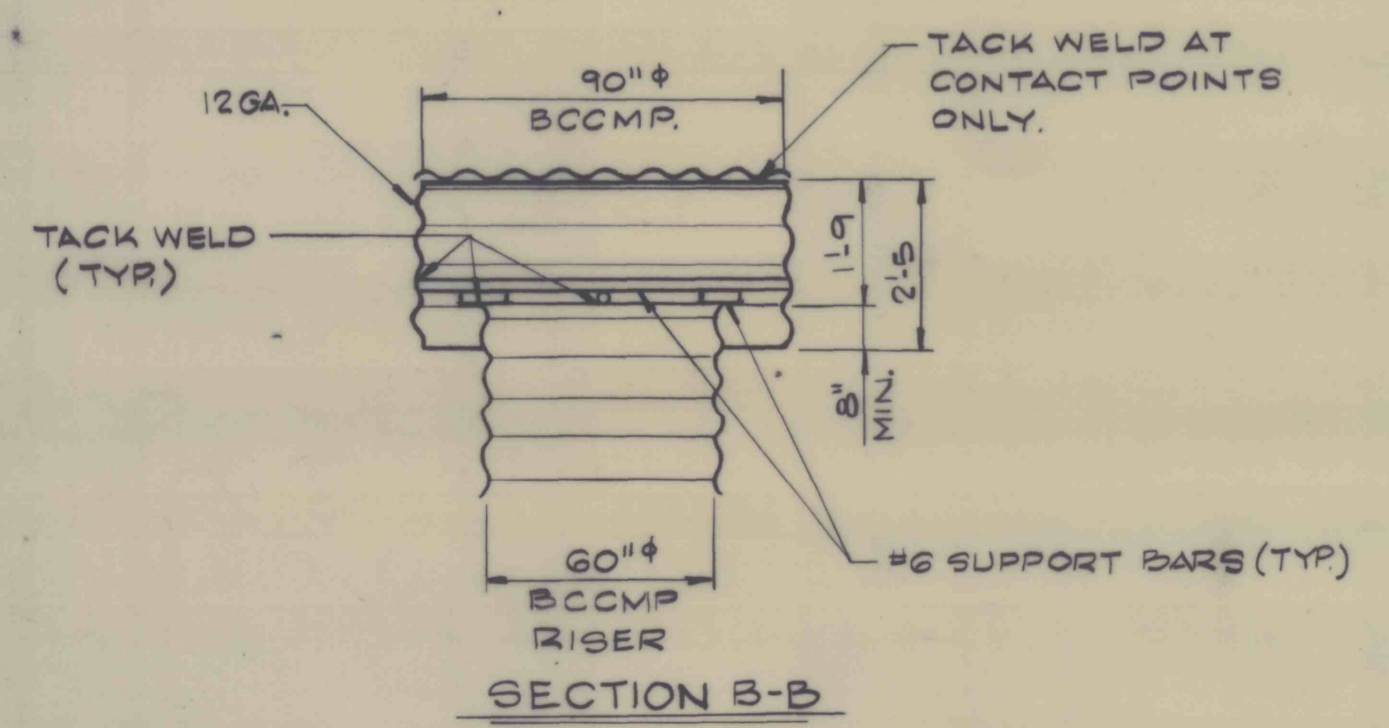
1. ALL WORK SHALL BE DONE IN ACCORDANCE WITH PERMIT AND TECHNICAL SPECIFICATIONS 82-312-1.
2. FOR PIPE BEDDING, SEE DRAWING 82-312-E10, TYPICAL CULVERT BEDDING DETAIL.



PLAN



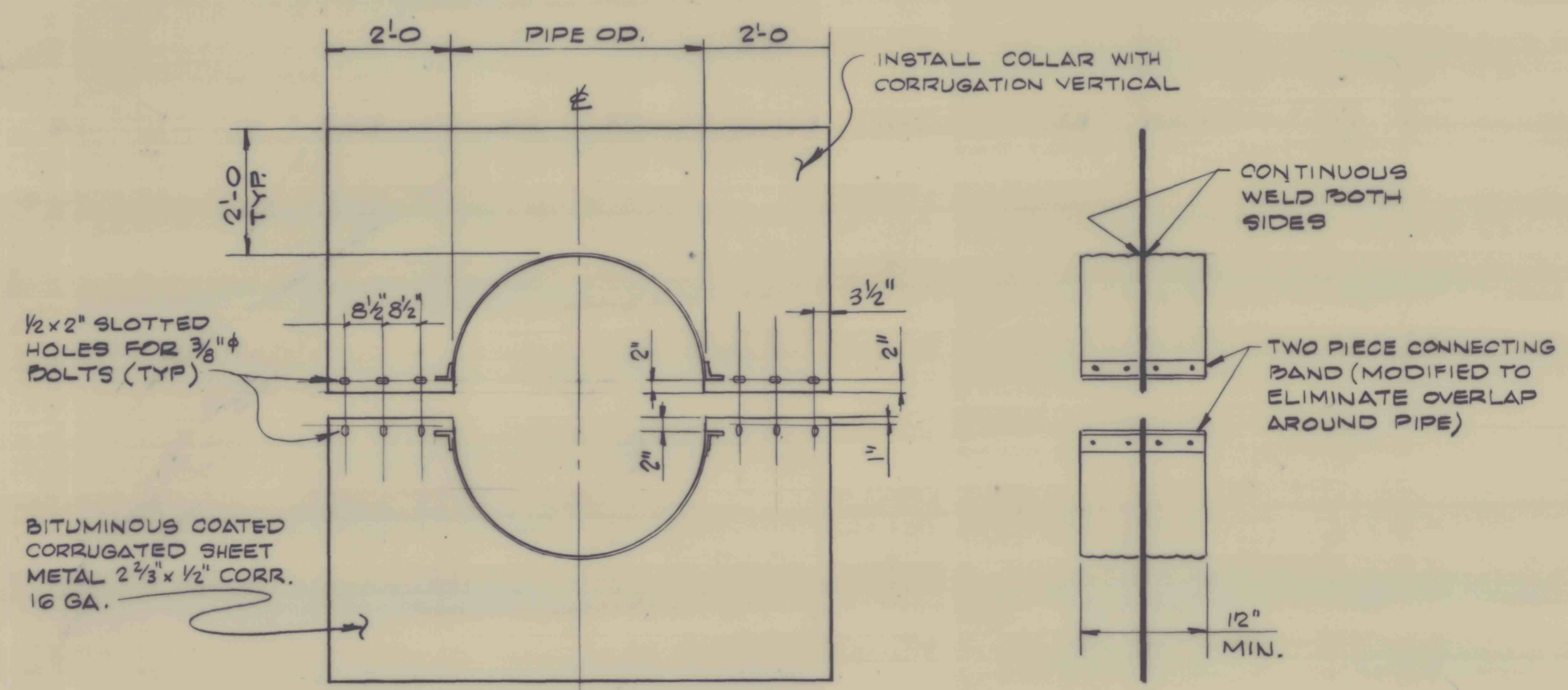
PLAN



SECTION B-B

ANTI-VORTEX DEVICE

SCALE: NONE

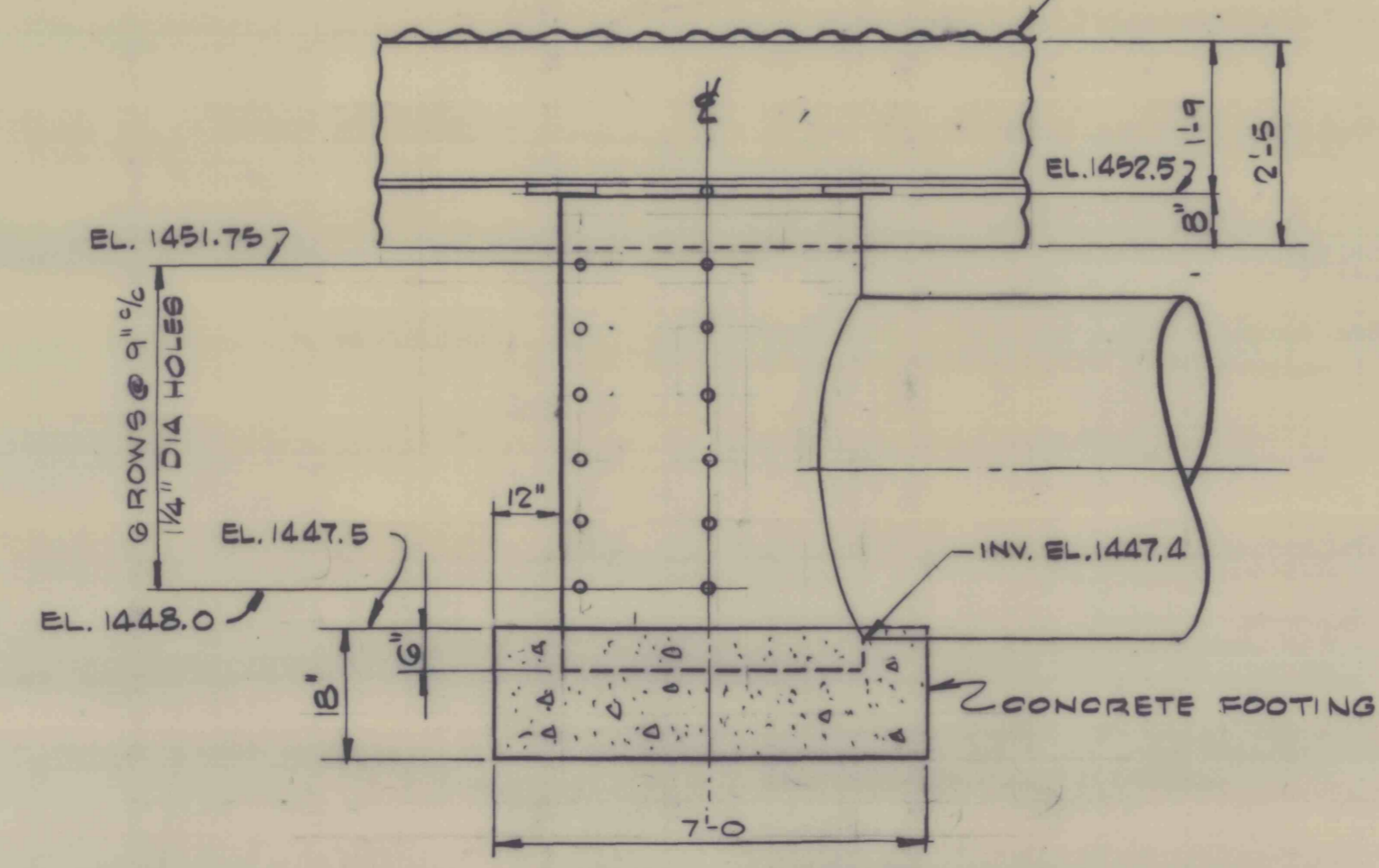


ELEVATION

SIDE VIEW

DETAIL OF ANTI-SEEP COLLAR

SCALE: NONE



ELEVATION

RISER PIPE DETAIL

SCALE: NONE



SEDIMENTATION POND SECTIONS AND DETAILS NORTH HOLLOW REFUSE IMPOUNDMENT MINE 101 COAL PREPARATION PLANT CENTURY, WEST VIRGINIA	
BETHLEHEM MINES CORP. CHARLESTON, WEST VIRGINIA	
DRAWN: <i>R/C</i> REVIEWED: <i>ASD/FBN</i>	APPROVED: <i>FBN</i> DATE: 7-14-83
SCALE: <i>NONE</i>	DRAWING NUMBER: 82-312-E11
570 Beatty Rd., Pittsburgh Monroeville, Pa. 15146 412-856-8400	

DESCRIPTION	NO.	DATE