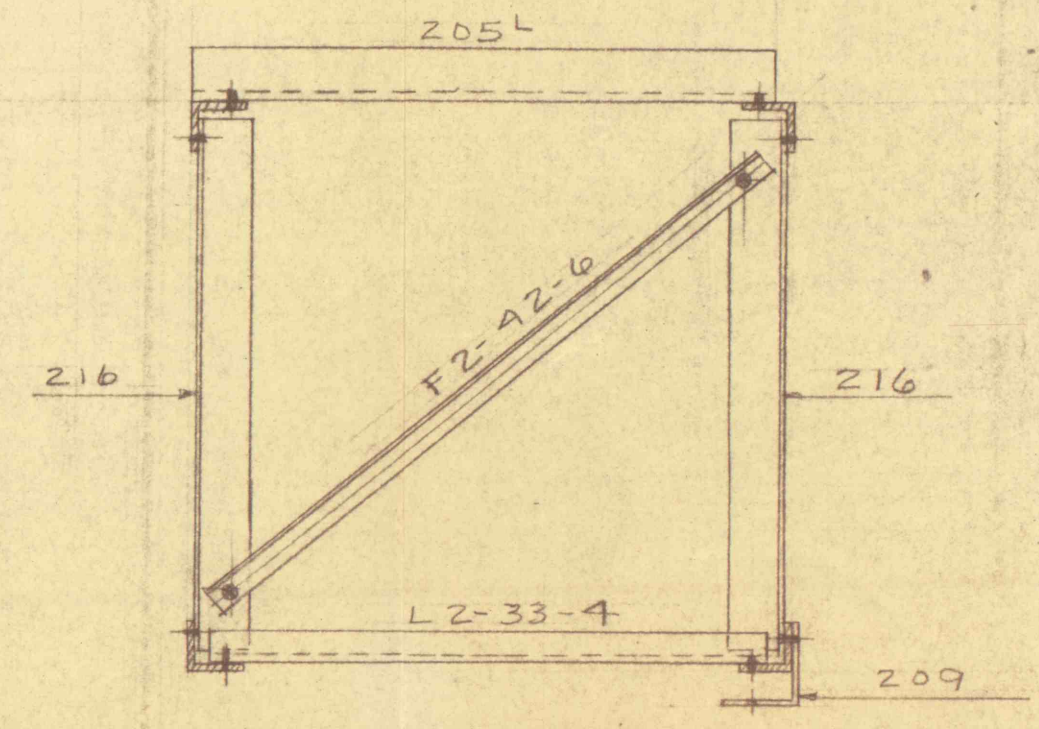
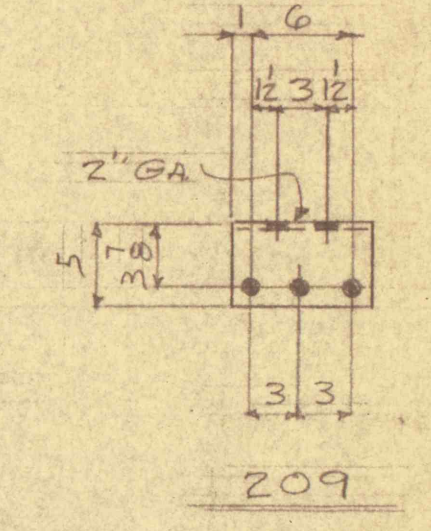
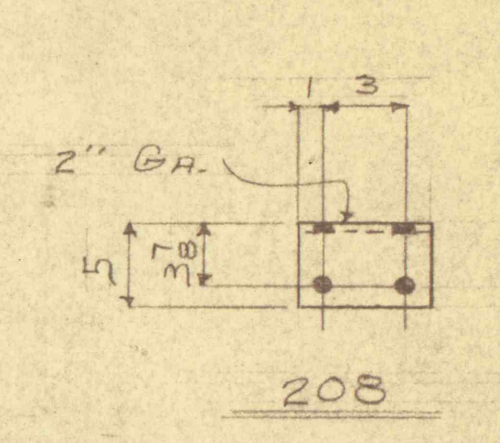
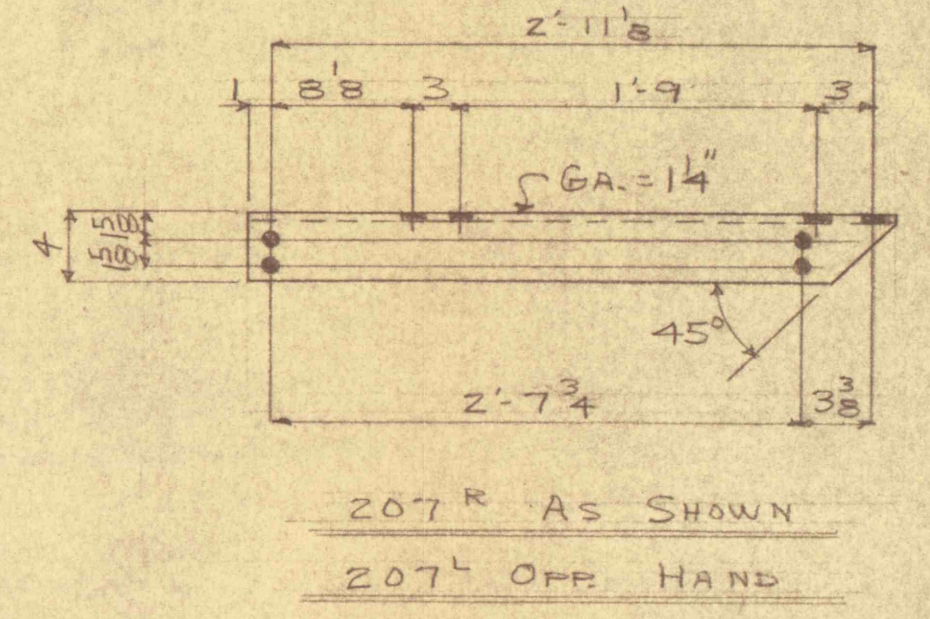
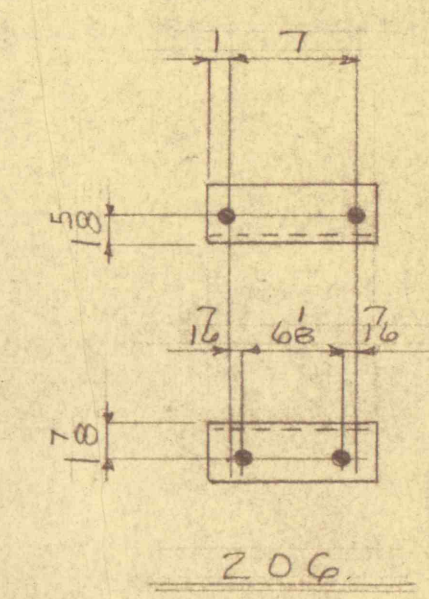
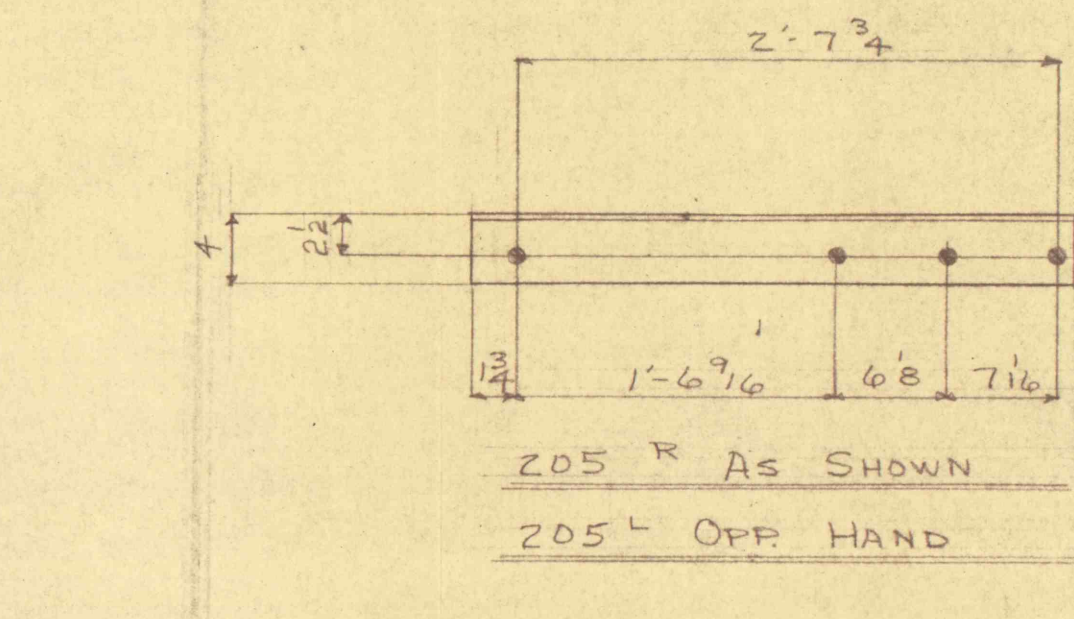
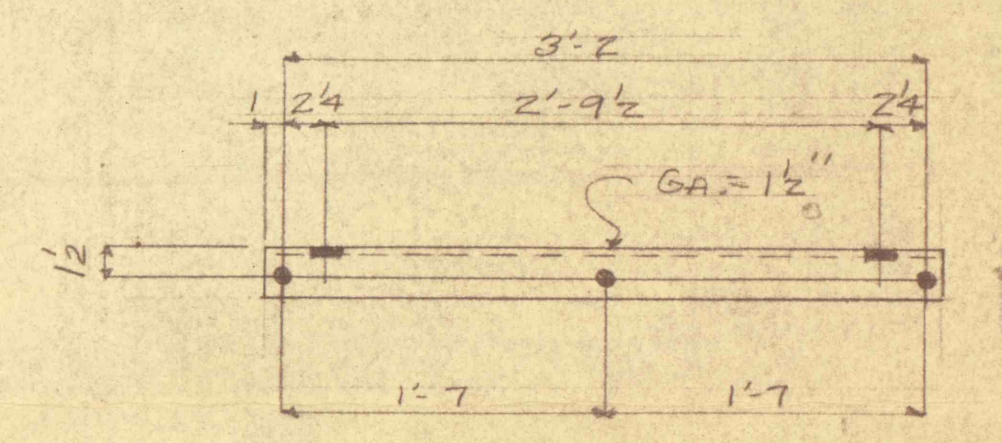


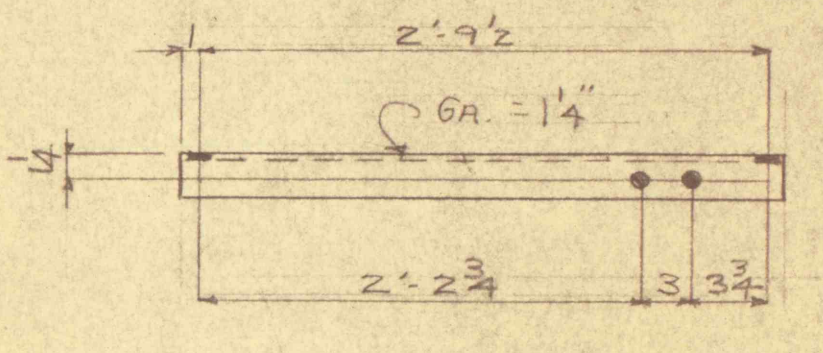
TWO SHOP ASSEMBLED TRUSS TZA



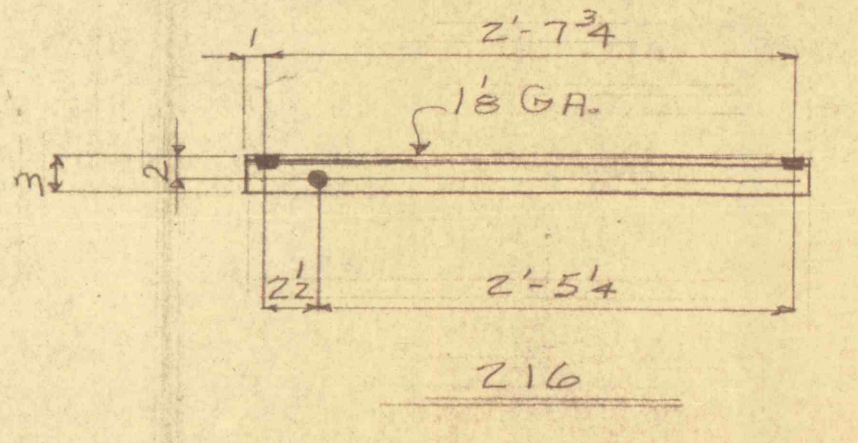
SECTION A-A



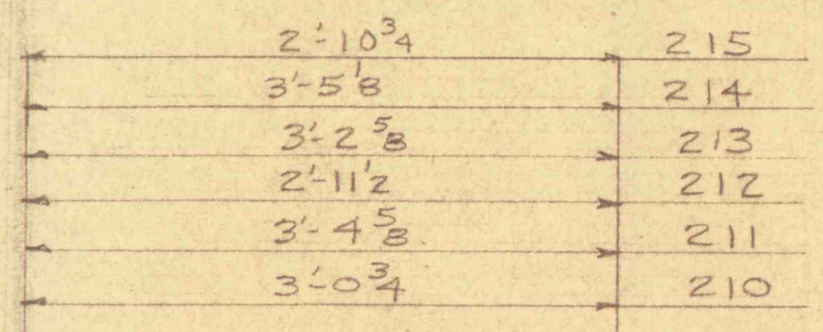
217



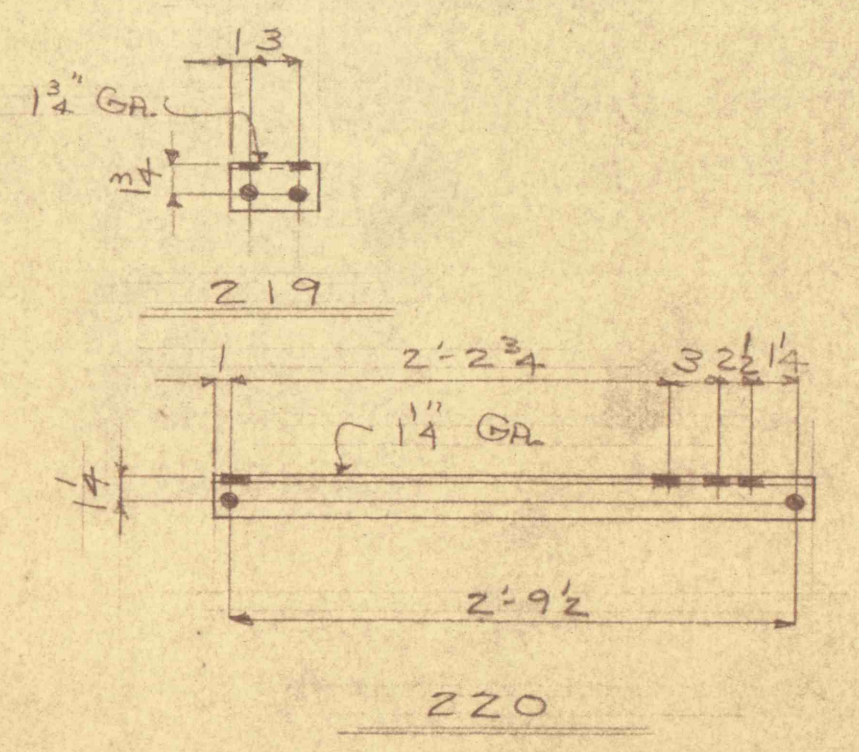
218



216



215
214
213
212
211
210



219

220

MATERIAL LISTED FOR ONE STRUCTURE

MATERIAL LIST				
NO.	SEC.	SIZE	LENGTH FT. INS.	MARK
1		SHIP ASSD TRUSS		TZA
1	L	3x3x3/16	17 9 3/4	201
1	L	do	17 9 3/4	202
1	L	do	17 9 3/4	203
1	L	do	17 9 3/4	204
3	L	4x3x1/4	2 10 1/4	205R
3	L	do	2 10 1/4	205L
3	L	3x3x3/16	- 9	206
2	L	4x3x1/4	3 1 1/8	207R
2	L	do	3 1 1/8	207L
2	L	5x3x1/4	- 5	208
1	L	do	- 8	209
11	L	1 3/4 x 1 1/4 x 3/16	3 2 1/2	210
4	L	do	3 6 3/8	211
4	L	do	3 1 1/4	212
4	L	do	3 4 3/8	213
8	L	do	3 6 3/8	214
1	L	do	3 0 1/2	215
2	L	3x2x1/4	2 9 3/4	216
1	L			L2-33-4
1	L			F2-42-6
95		BOLTS 5/8"		1 1/2 HH-HN
7		BOLTS 5/8"		1 1/2 HH-HN

SHIP LOOSE

EQUIPMENT MOUNTING BOLTS WITH NUTS & LOCK WASHERS			
BOLT SYM.	BOLT SIZE	NO. REQD.	WIDE WASHER
B1	5/8" x 1 1/2" LG.	31	
B2	1/2" x 1 1/2" LG.	14	1 1/2"
B3	1/2" x 1" TAP	14	1 1/2"
B4	3/8" x 1 1/2" LG.	4	

FIELD ERECTION BOLTS		
NO.	SIZE	TYPE
30	5/8" x 1 1/2" LG.	HH-HN
35	5/8" x 1 1/2" LG.	HH-HN

HOLES 1/16" UNLESS NOTED.
MATERIAL H. D. GALVANIZED.
*DIRECTION MARK.
SUFFIX MARKS WITH 956 & 957.
SHIP PARTLY ASSEMBLED.

W.E. CORP. ORDER NO. - IN-88750ZYS & IN-88751-ZYS
W.E. CORP. P.O. NO. - 412D046 & 412D045

THIS DRAWING, INCLUDING ALL NOVEL AND PATENTED OR PATENTABLE SUBJECT MATTER, EMBODIES CONFIDENTIAL INFORMATION OF THE DRESSER-IDECO COMPANY AND IS LOANED WITH THE UNDERSTANDING THAT IT WILL NOT BE REPRODUCED NOR BE USED FOR ANY PURPOSE EXCEPT THAT FOR WHICH LOANED UNLESS WRITTEN PERMISSION IS GRANTED BY THE OWNER, AND THAT IT SHALL BE RETURNED ON DEMAND.

DRESSER-IDECO COMPANY
ONE OF THE DRESSER INDUSTRIES
IDECO COLUMBUS 8, OHIO

STEEL DETAILS FOR PROJECTS 24 & 26
23 KV OUTDOOR SUBSTATION
PEERLESS PUMP DIVISION
PENNA. COAL CO., WILKES BARRE, PENNA.
WESTINGHOUSE ELECTRIC CORP.
EAST PITTSBURGH, PENNA.

ORDER NO. 10956 & 10957			
DRAWN	CHECKED	APPROVED	SCALE
NAME HLK BAYHEAD			
DATE 10-29-57/11-14-57			
DRAWING NO. 10956			