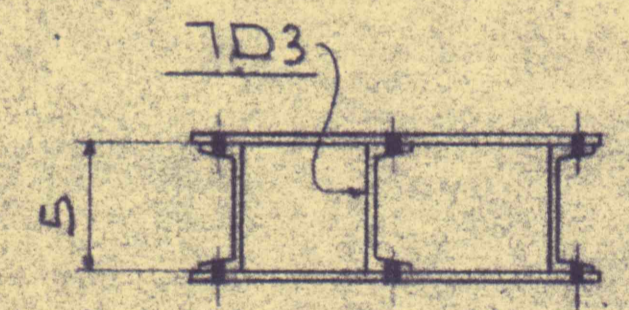
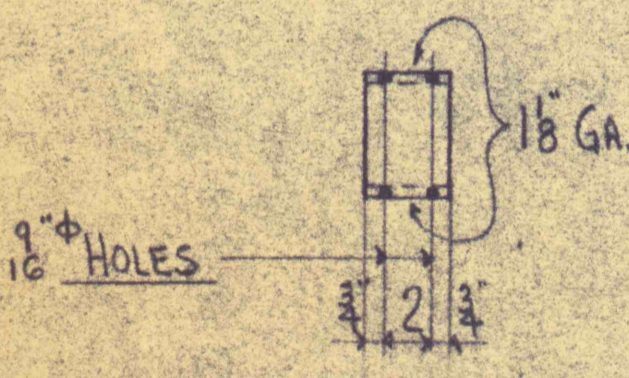
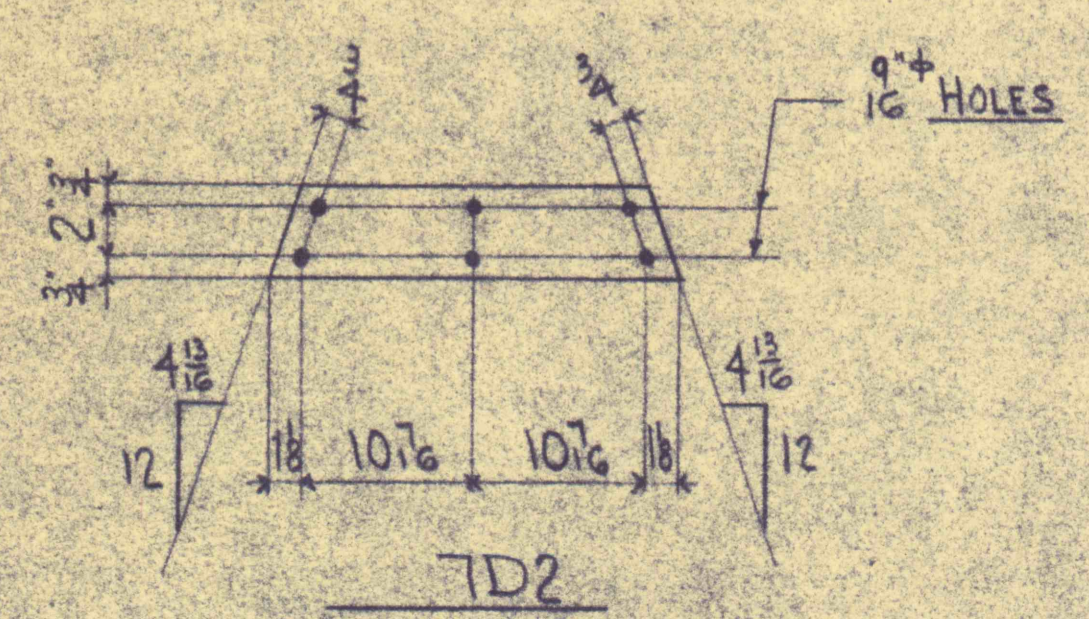


PEAK MTG - TD
(SHOP ASSEMBLED)



SEC. A-A



GENERAL NOTES

1. ALL STEEL TO BE H.D. GALVANIZED
2. L.C.M. ERECTION DWG. I-505-E1
3. WESTINGHOUSE ELECTRIC CORP.
DESIGN DWG. 4IGD433

CERTIFIED FOR CONSTRUCTION
H.C. Morgan 7/10/58
 PEERLESS PUMP FON-30499
 JOB # 79962-V TN-11910
 CAMERON MINE PROJECT #8

MARK	NO. PCS.	SIZE	LENGTH		TOTAL LGTH.	TOTAL WGT.
			FT.	INS.		
MATERIAL LISTED FOR 1 UNIT						
2 REQ'D.						
TD	1	PEAK MTG				
TD1	2	5[6.7	4	7 ¹⁵ / ₁₆		
TD2	2	PE 3 1/2 x 4	1	11/8		
TD3	1	5[6.7	0	3/2		
TD4	2	PE 2 x 4	0	3/2		
a	2	PE 2 x 4	0	3/2		
	12	1/2" GMB	0	1/2		SP. HD. HEX NUT
	12	1/2" BEVEL WASHERS				
	2	5/8" GMB	0	1/2		SP. HD. HEX NUT
TD5	1	1/2" STD. PIPE	5	0		
	1	STD. PIPE CAPS FOR 1/2" PIPE				
TD6	2	3/8" BENT H.R.S.	0	4/8		
	4	3/8" HEX NUTS				



COORD	ENGR.	REV.
-------	-------	------

LEE C. MOORE CORPORATION
 PITTSBURGH, PA. • TULSA, OKLA. • DALLAS, TEXAS • WICHITA, KANSAS

2-11/2 x 4-0 PEAK MOUNTING (5[6.7) 1/2" PIPE x 5-0 WITH U-BOLTS
 WESTINGHOUSE ELECTRIC CORPORATION
 DRAWN: J.S. 6-25-58
 I-505-7D