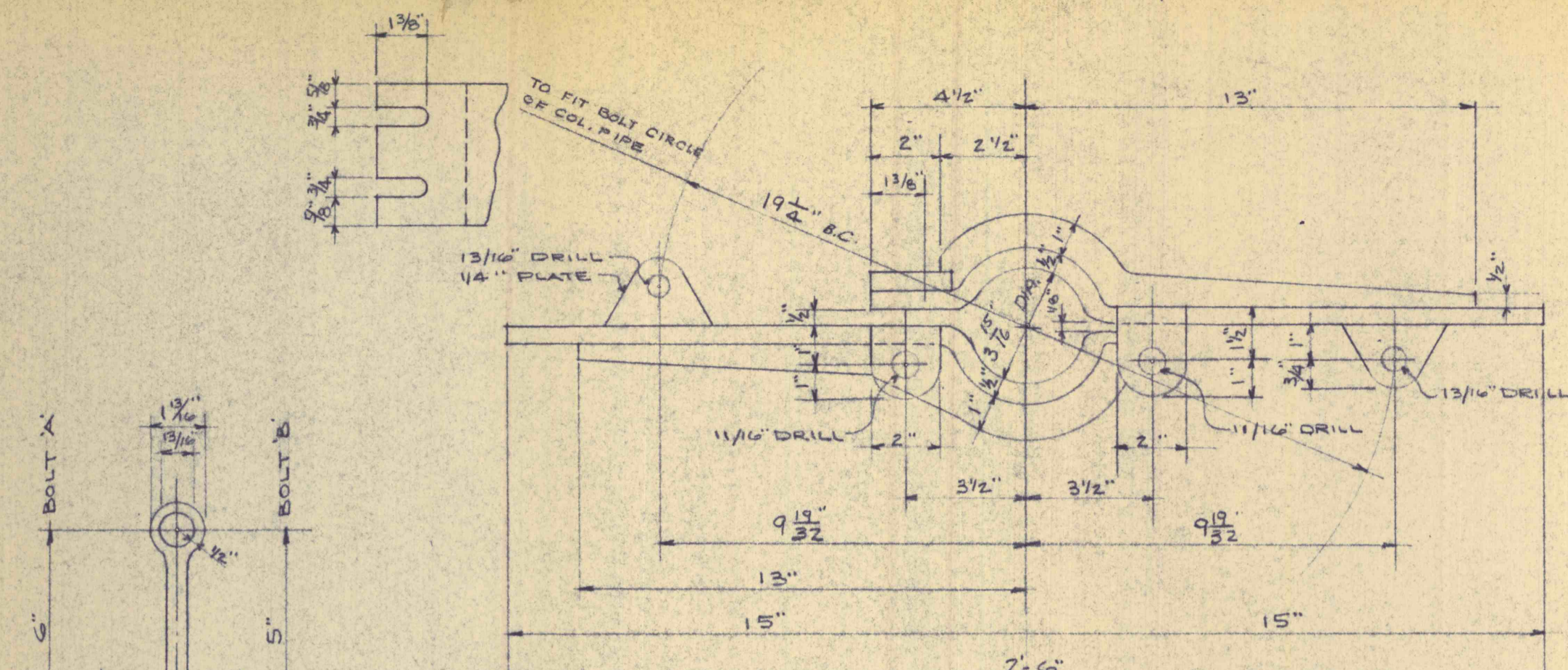
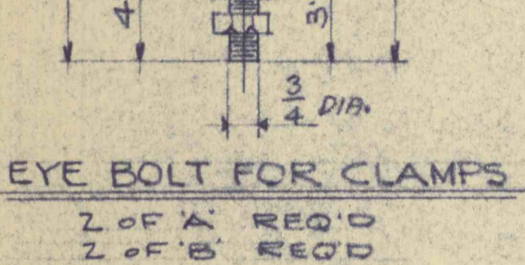


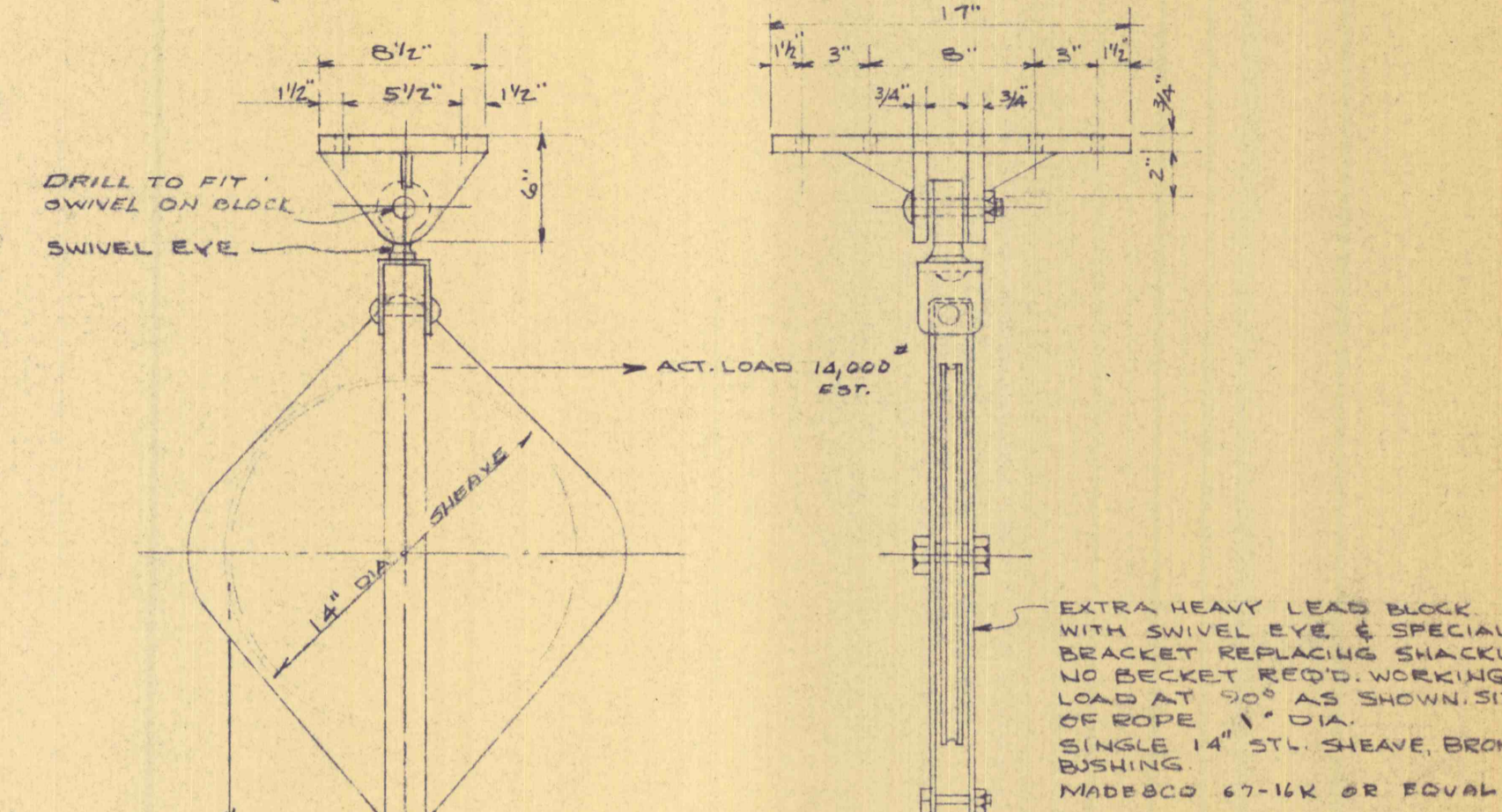
OIL TUBE CLAMP - PART NO 5 1 REQ'D
 TO BE FURNISHED WITH 2-5/8" STEEL STUD BOLTS 3/4" LONG, 3" THREAD EACH END WITH 2 HEX NUTS & 2 WASHERS EACH, ALSO 2 EYE BOLTS MARKED 'A' AS SHOWN IN DETAIL.



SHAFT CLAMP PART NO 6 - 1 REQ'D
 TO BE FURNISHED WITH 2-5/8" STEEL STUD BOLTS 13 1/2" LONG 3" THREAD EACH END WITH 2 HEX NUTS & 2 WASHERS EACH ALSO 2 EYE BOLTS MARKED 'B' AS SHOWN.

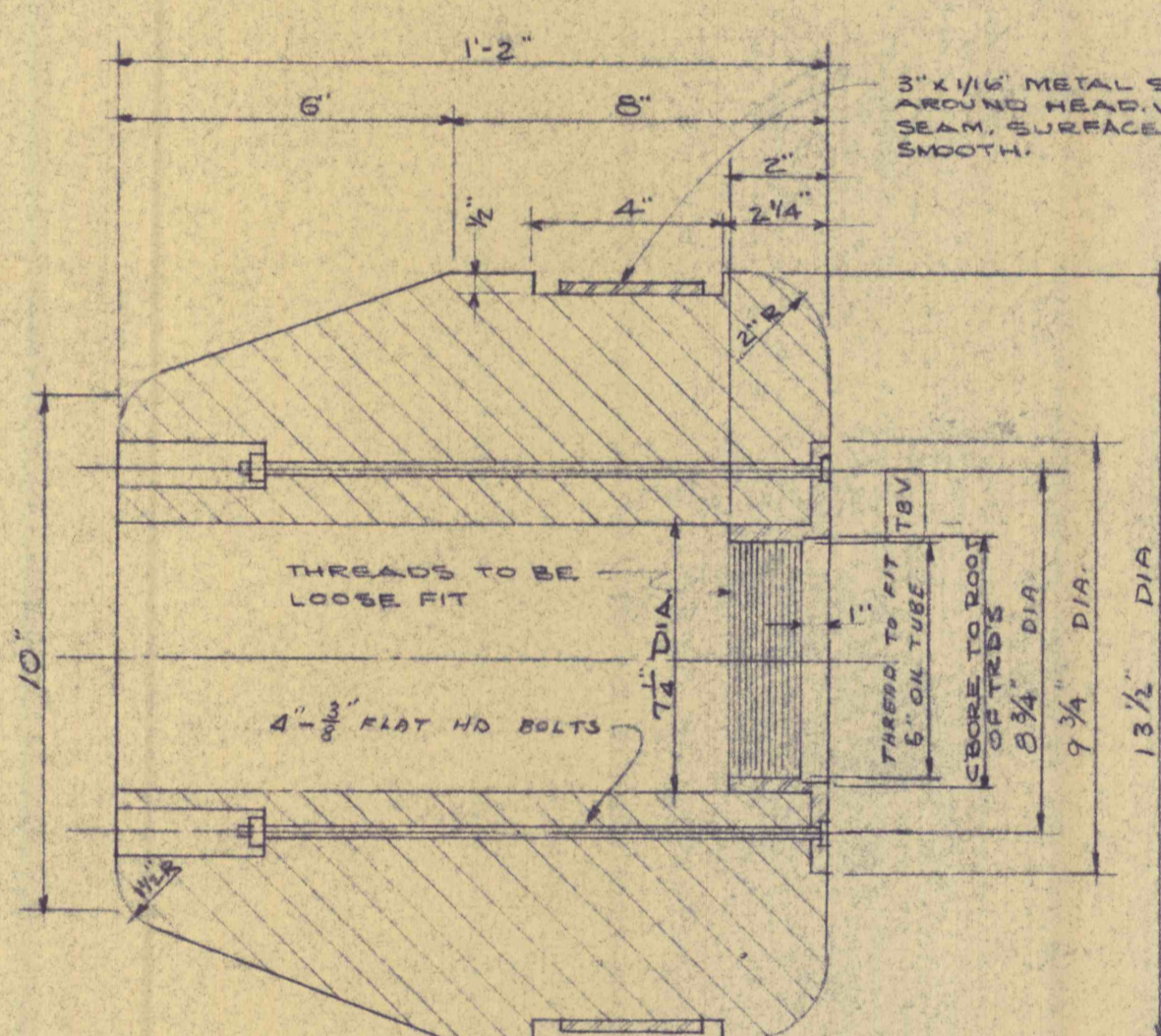


EYE BOLT FOR CLAMPS
 2 OF 'A' REQ'D
 2 OF 'B' REQ'D



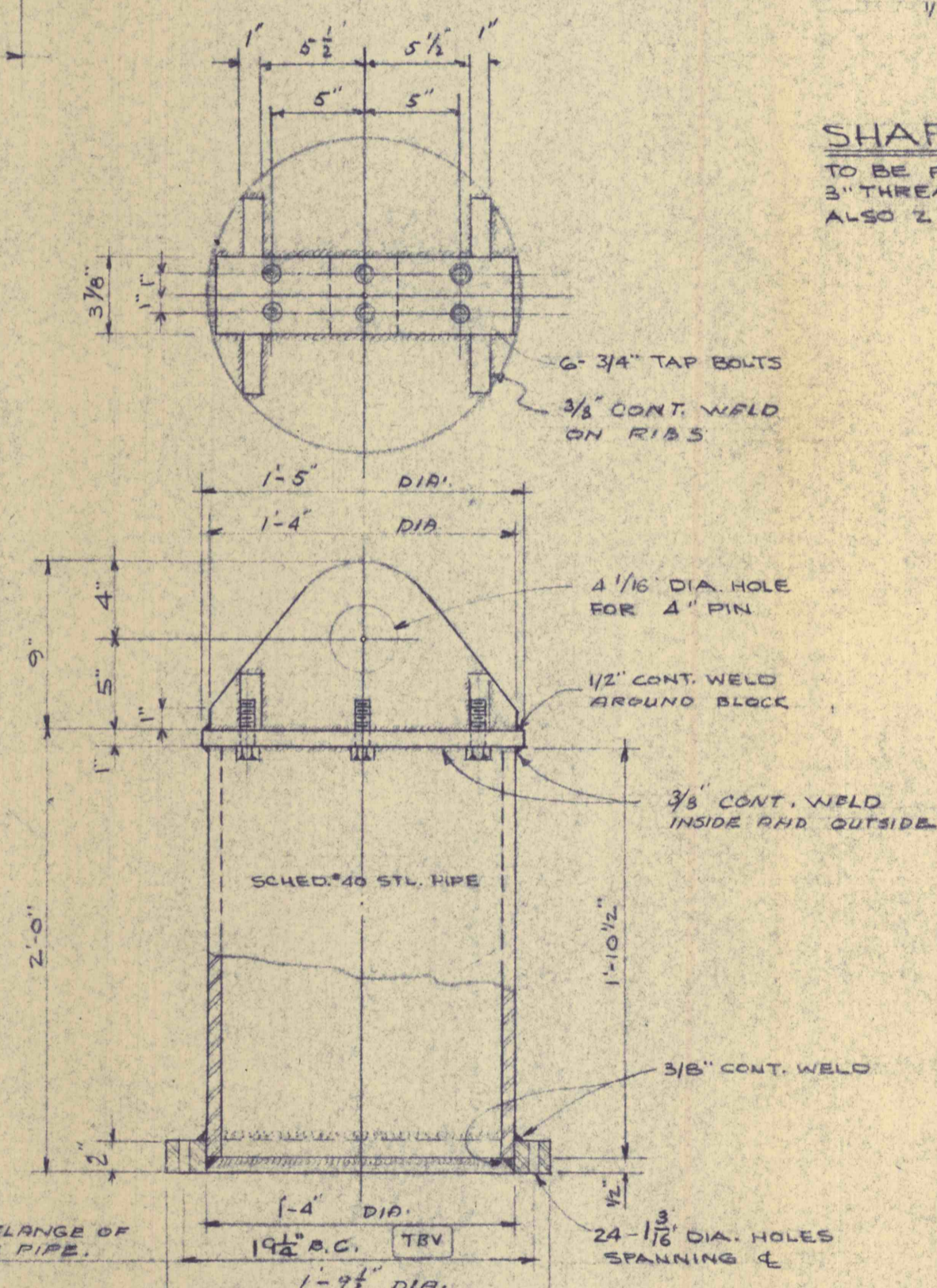
ACTUAL LOAD 14,000 (Est.)
 4% LOSS 560
 TOTAL 14,560

SWIVEL BLOCK - PART NO 12 1 REQ'D

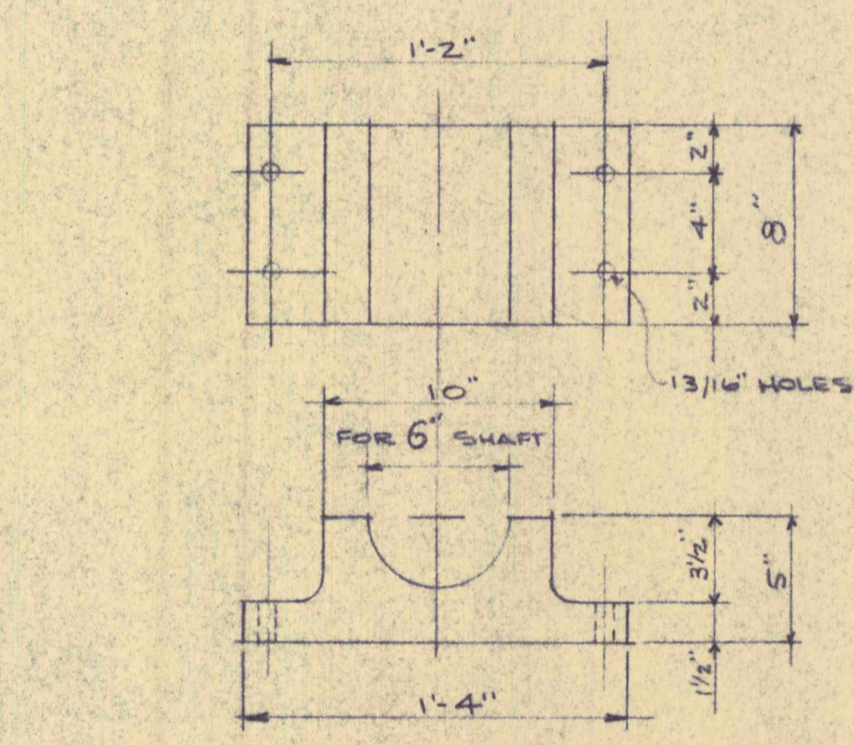


NOTE: THREADS SHALL BE MADE TO FIT OIL TUBE OF PUMP.

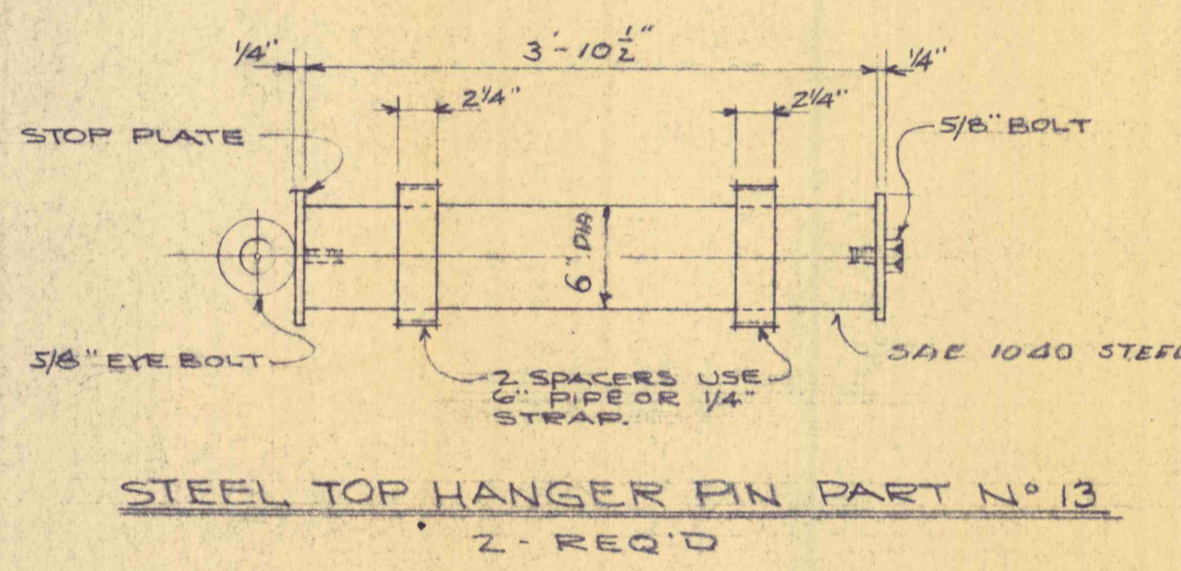
PILOT HEAD - PART NO 11 - 1 REQ'D
 WOOD & STEEL INSERT



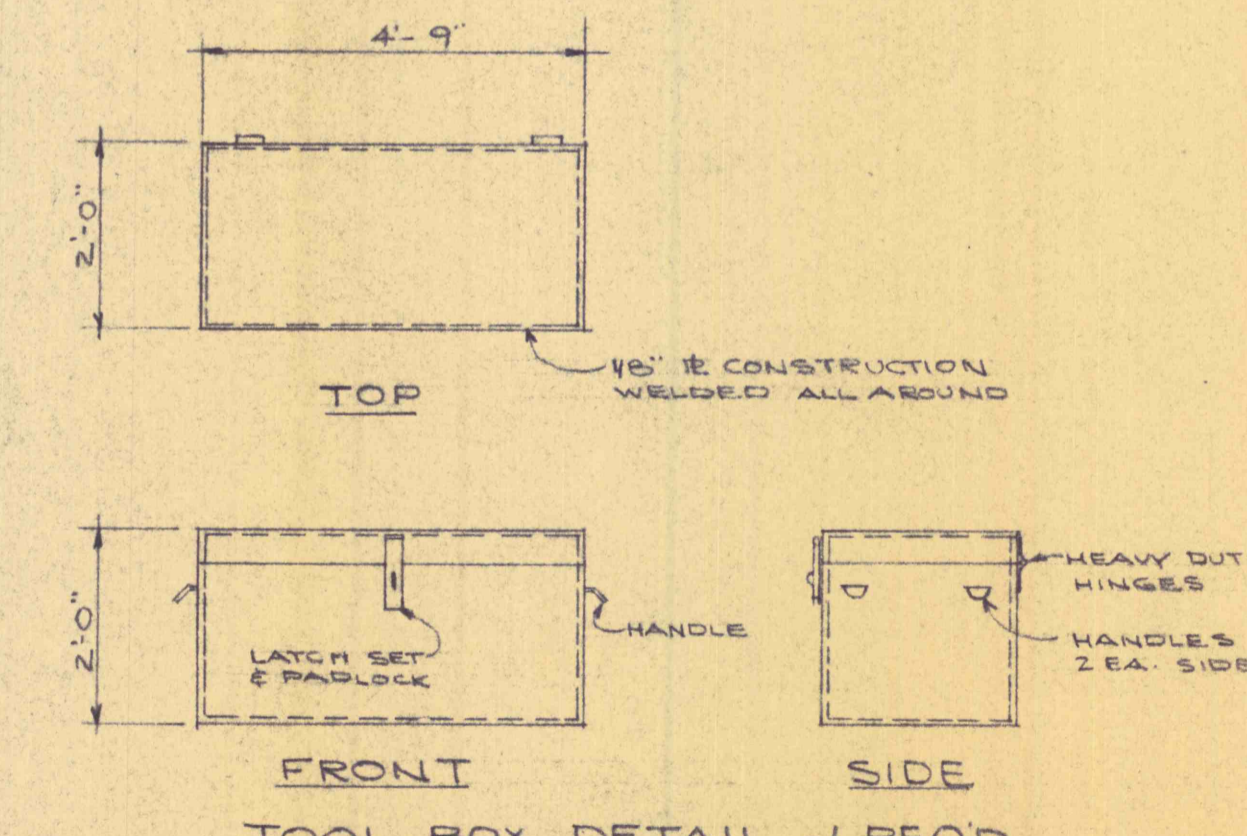
STEEL LIFTING CAP PART NO 14 1 REQ'D



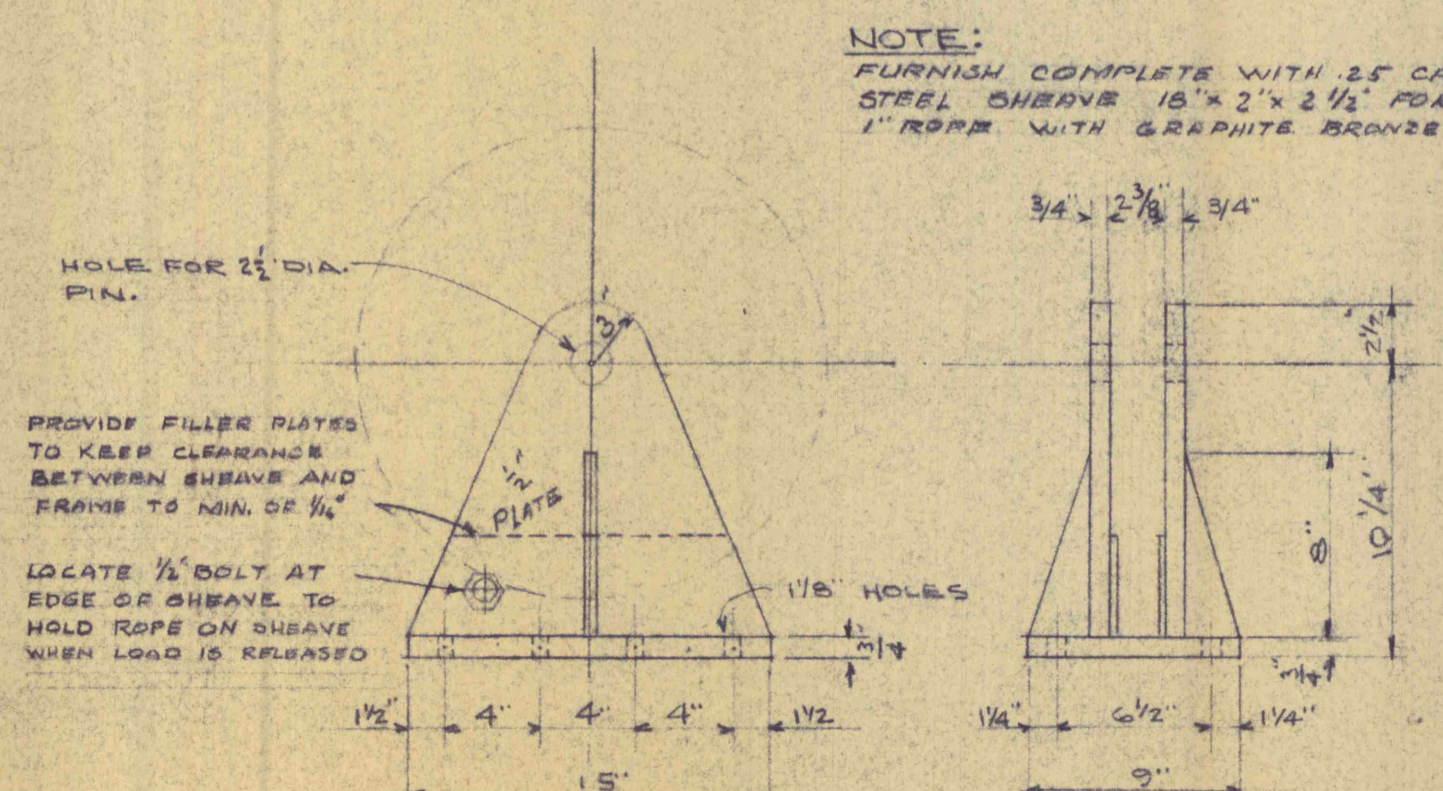
STL PILLOW BLOCK - PART NO 7 5 REQ'D



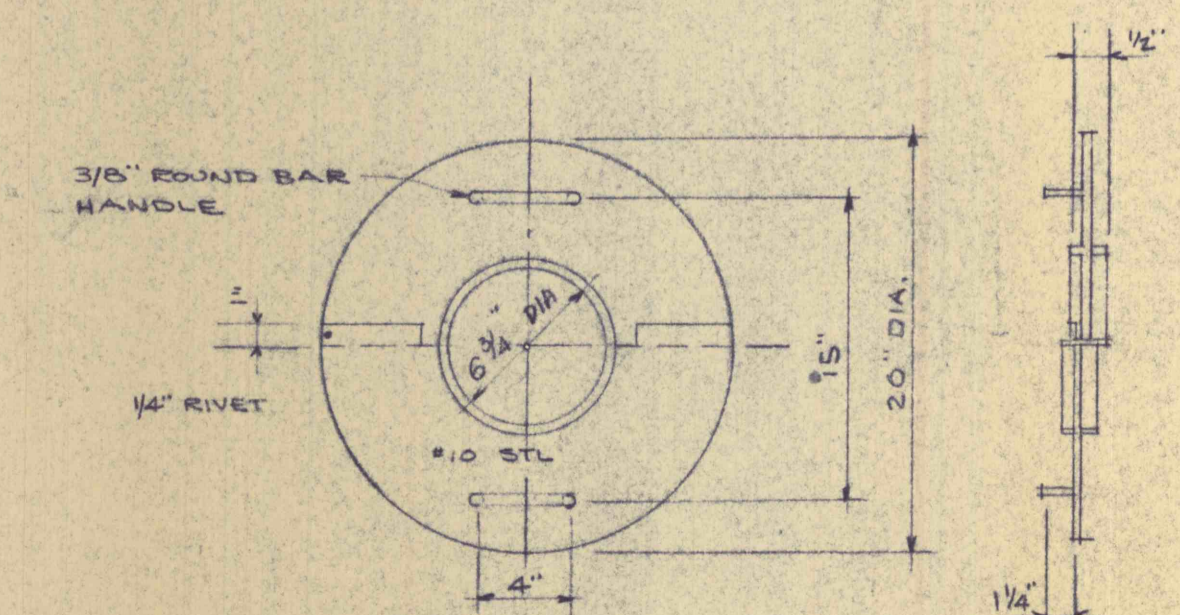
STEEL TOP HANGER PIN PART NO 13 2-REQ'D



TOOL BOX DETAIL - 1 REQ'D PART NO 9 1 REQ'D



FLOOR SHEAVE PART NO 3 ONE REQ'D



SAFETY COVER PART NO 8 1 REQ'D

BILL OF MATERIALS		
PART NO.	PART NAME	NO. REQ'D
1	BLOCK & TACKLE COMPLETE	1
2	HEAVY ROPE SLING	4
3	FLOOR SHEAVE	1
4	SUPPORT CLAMP	1
5	OIL TUBE CLAMP	1
6	SHAFT CLAMP	1
7	PILLOW BLOCKS	5
8	SAFETY COVER	1
9	TOOL BOX	1
10	LIFTING BEAM	1
11	PILOT HEAD	1
12	SWIVEL BLOCK	1
13	TOP HANGER PIN	2
14	LIFTING CAP	1
15	MIDWAY SHEAVE	1
16	MOTOR LIFT SLING CHAIN	1
17	FOUR WAY HANGER	1
18	FLOAT SCALE INDICATOR	1
19	COVER FOR FLOAT CABLE	1
20	4" SHEAVE BLOCK COMPLETE	4
21	C-WEIGHT GUARD	1
22	FLOAT COUNTER WEIGHT	1
23	CONCRETE FLOAT	1
24	WIRE ROPE CLAMP	1
* 26	BRIDAL CHAIN ASSY & HOOKS	1
* 27	WORK BENCH	1
* 28	PLATFORM LADDER	1
* 29	LIFTING STRAP FOR PIPE	1
* 30	HOIST ANGLES FOR BOWL ASSY.	2

* PARTS MARKED * IN ABOVE LIST SHALL BE MADE AVAILABLE TO THE CONTRACTOR FROM BUTTWOOD PROJECT NO. 13 OF THE GLEN ALDEN CORP.

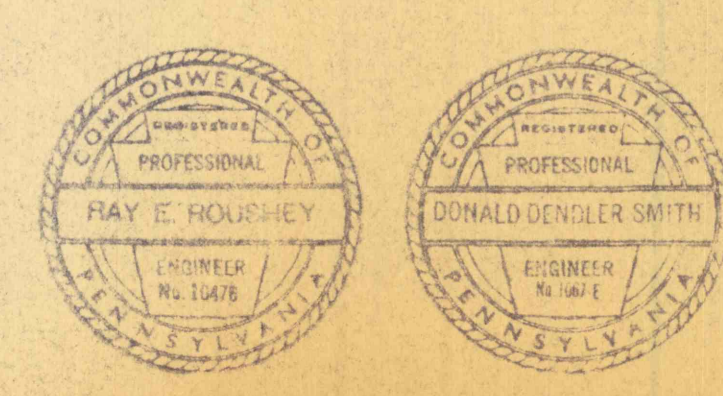
(TBV) TO BE VERIFIED

REVISIONS	
OCT. 30 1948	
DEC. 5 1950	
MAR. 10 1951	
JULY 14 1951	
AUG. 7 1951	

MISCELLANEOUS TOOLS AND EQUIPMENT

FLOOD CONTROL PROJECT NO. 22 PHASE B
 PA. DEPT. OF MINES & MINERALS INDUSTRIES

GLEN ALDEN CORPORATION
 TRUESDALE COLL. ASKAM SHAFT



ROUSHEY and SMITH

SCALE NOTED ENGINEERS AND CONSULTANTS Job 633
 DATE 9-25-58 189 HARRIS ST. KINGSTON, PA. Dwg. No. 11
 BY FTK METROPOLITAN VALVE & BARRE