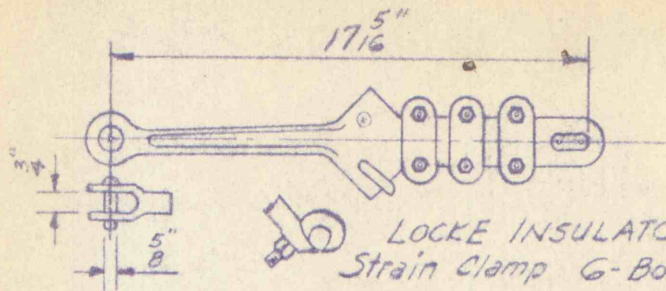


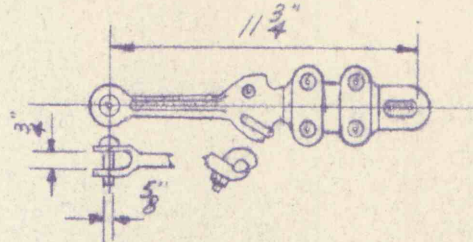
6/20/58
L-M #WAC6448

OHIO BRASS Co.
Cat. #10755 Without Discharge Horn
Cat. #11947 With Discharge Horn
Note: For Conductors 0.187" to 0.500" Dia.



LOCKE INSULATOR Co's.
Strain Clamp 6-Bolt Type

Clamp # 3032 G1 (.250 - .438") Dia. Cond.
" # 3033 G1 (.438 - .625) " "
" # 3034 G1 (.625 - .750) " "

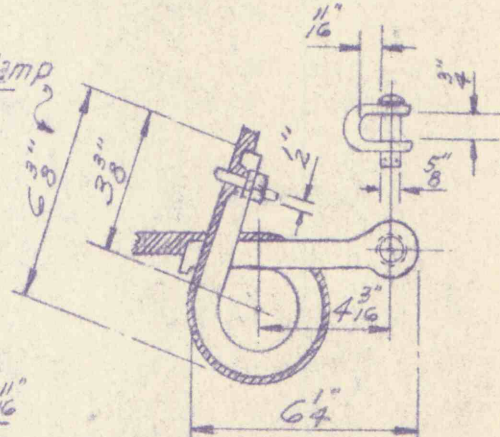


LOCKE INSULATOR Co.
Strain Clamp - 4 Bolt Type

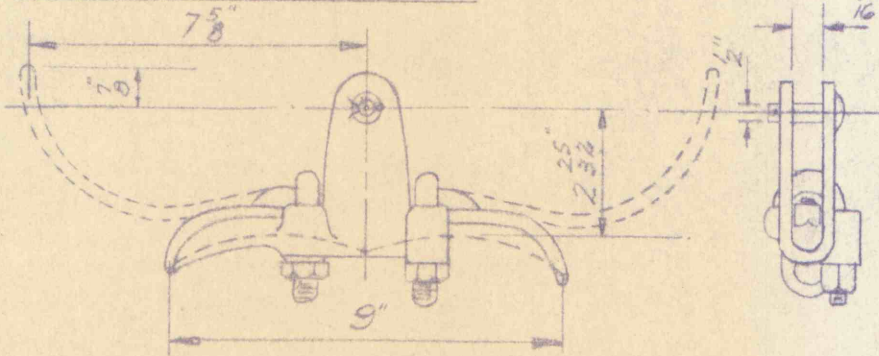
Clamp # 3304-G1 (.188 - .375") Dia. Cond.
" # 3305-G1 (.375 - .563") " "

B & S COPPER	DIAMETER	
	STRANDED	SOLID
6	.184	162
4	.232	2043
2	.292	2576
1	.333	2893
1/0	.375	3250
2/0	.419	3648
3/0	.470	4096
4/0	.528	4600
250,000	.575	
300,000	.634	
350,000	.682	
400,000	.728	
450,000	.777	
500,000	.815	

Use this Type Clamp
on Maysville
Construction



LOCK INSULATOR Co. CLAMP # 7511
Type "SS"



OHIO BRASS Co. TYPE "D"
Cat. # 11552 Without Discharge Horns
" # 11944 With " "
Note: For Conductors 0.187" to 0.625" Dia.

OHIO BRASS Co.
D.C. Feeder Cable Strain Clamp
Clamp # 10571 - 2/0 - 400,000-cm Str. Cable
" # 10572 - 500,000-1,000,000 am " "

SUSPENSION & STRAIN WIRE CLAMPS

SCALE NONE

MAY 7, 1957 *APB*

Drawing Number

66-539-X