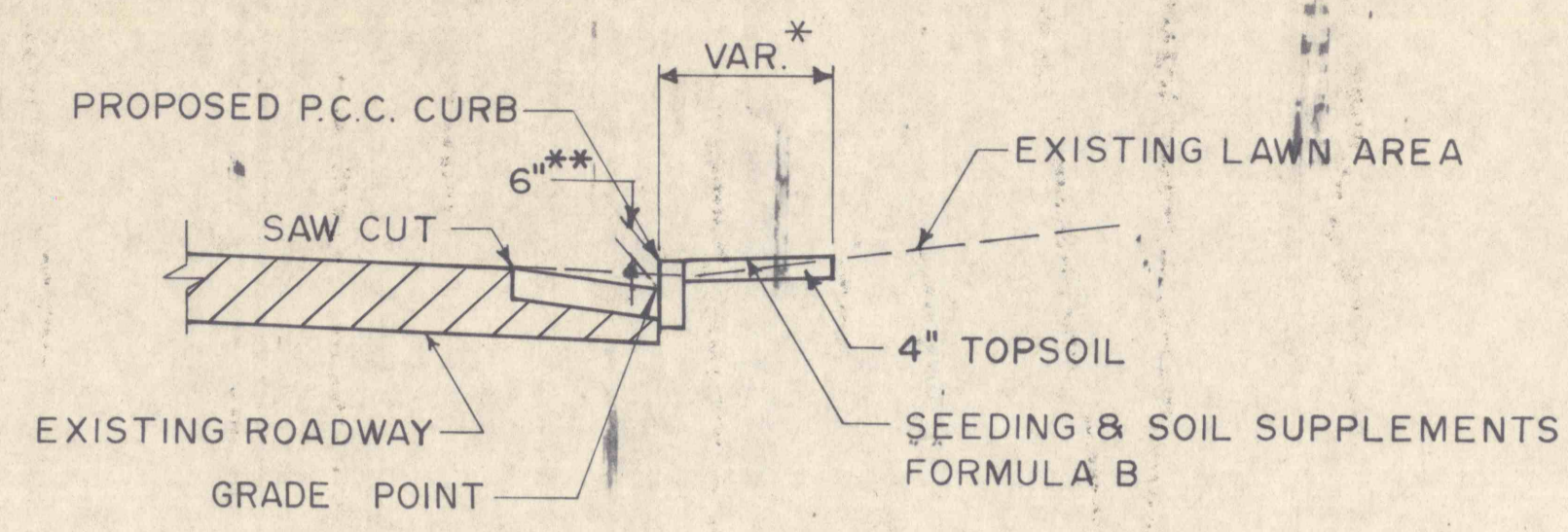
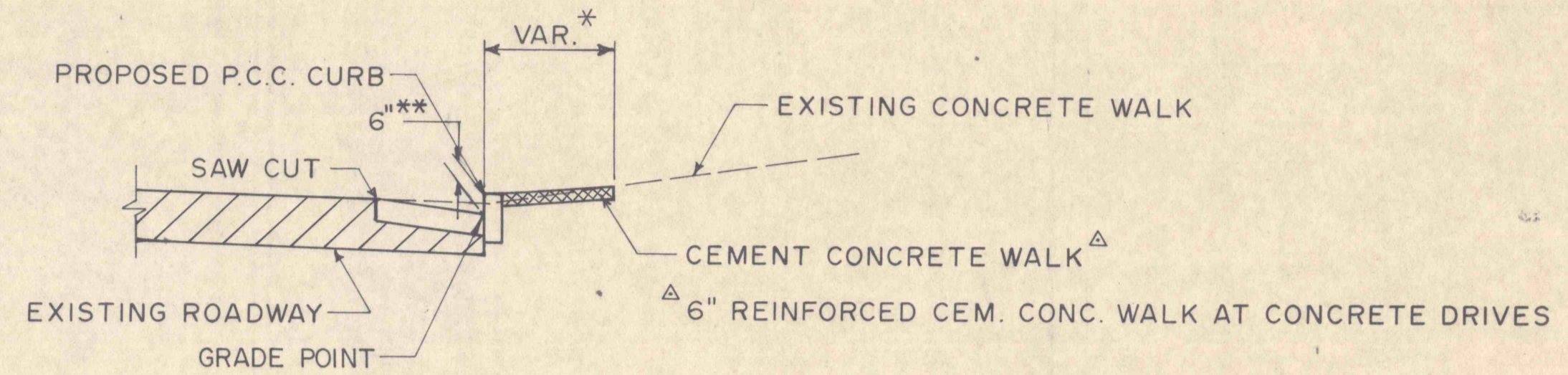


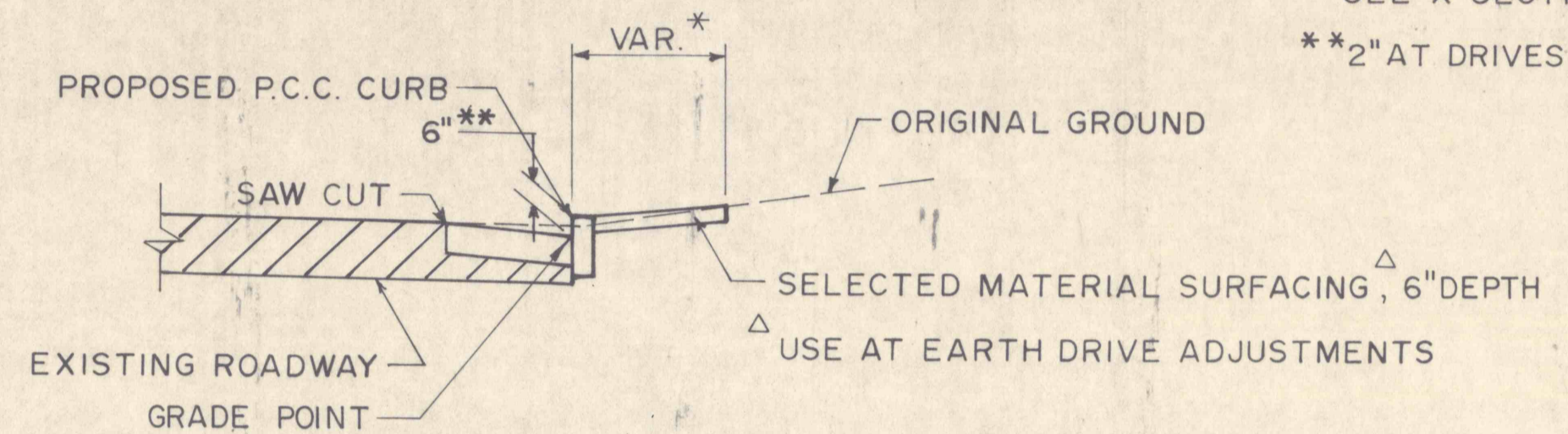
DISTRICT	COUNTY	ROUTE	SECTION	SHEET	
4-0	LACKAWANNA	MAIN ST.		4 of 28	
DICKSON CITY BORO, BLAKELY BORO. & ARCHBALD BORO.					
REVISION NUMBER	REVISIONS			DATE	BY



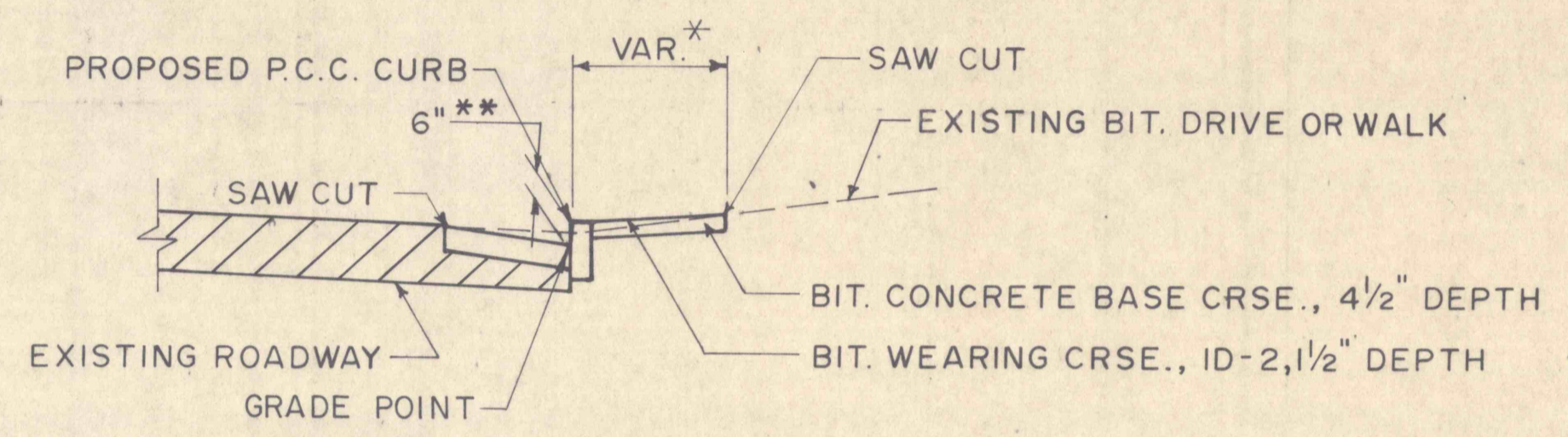
**DETAIL - LAWN AREA ADJUSTMENT**  
 NOT TO SCALE



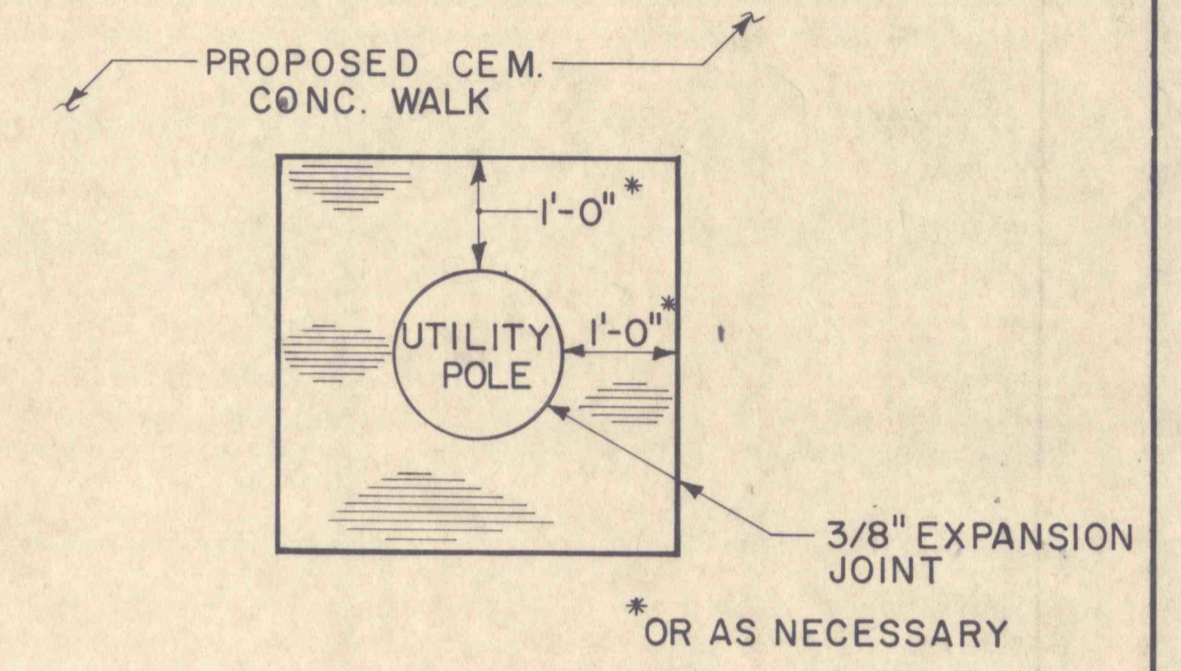
**DETAIL - CONCRETE WALK ADJUSTMENT**  
 NOT TO SCALE



**DETAIL - EARTH & GRAVEL ADJUSTMENT**  
 NOT TO SCALE

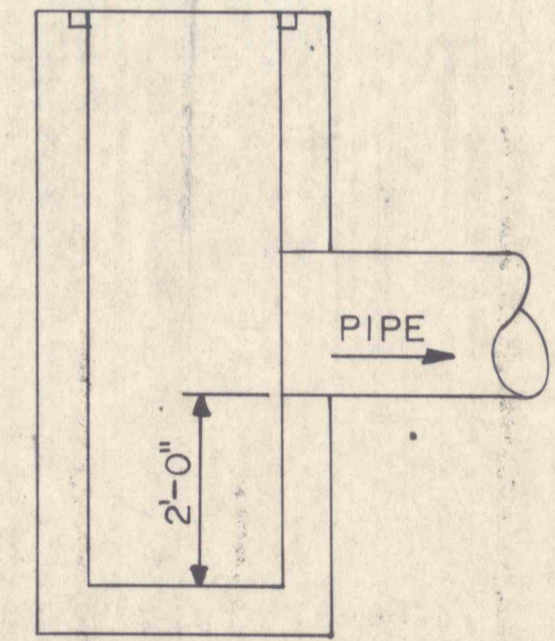


**DETAIL - BITUMINOUS DRIVE OR WALK ADJUSTMENT**  
 NOT TO SCALE

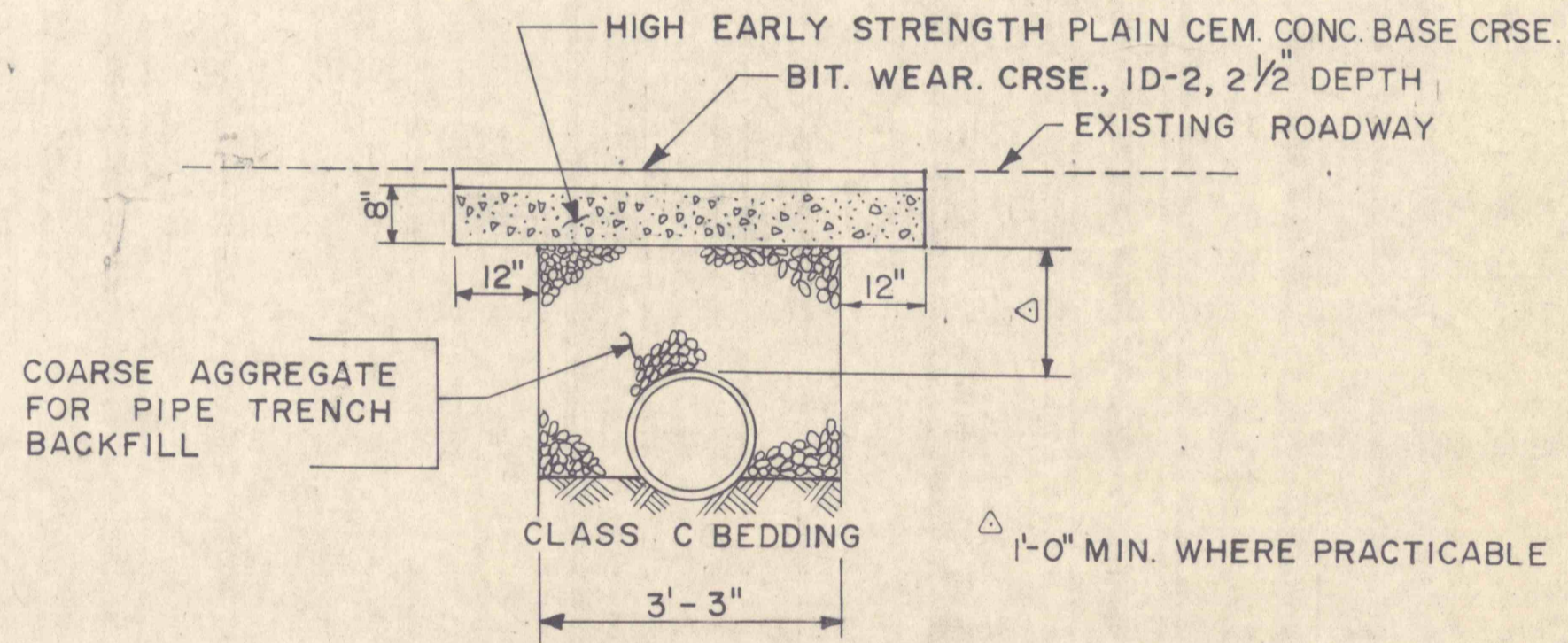


**CEMENT CONCRETE SIDEWALK AT UTILITY POLE**  
 NOT TO SCALE

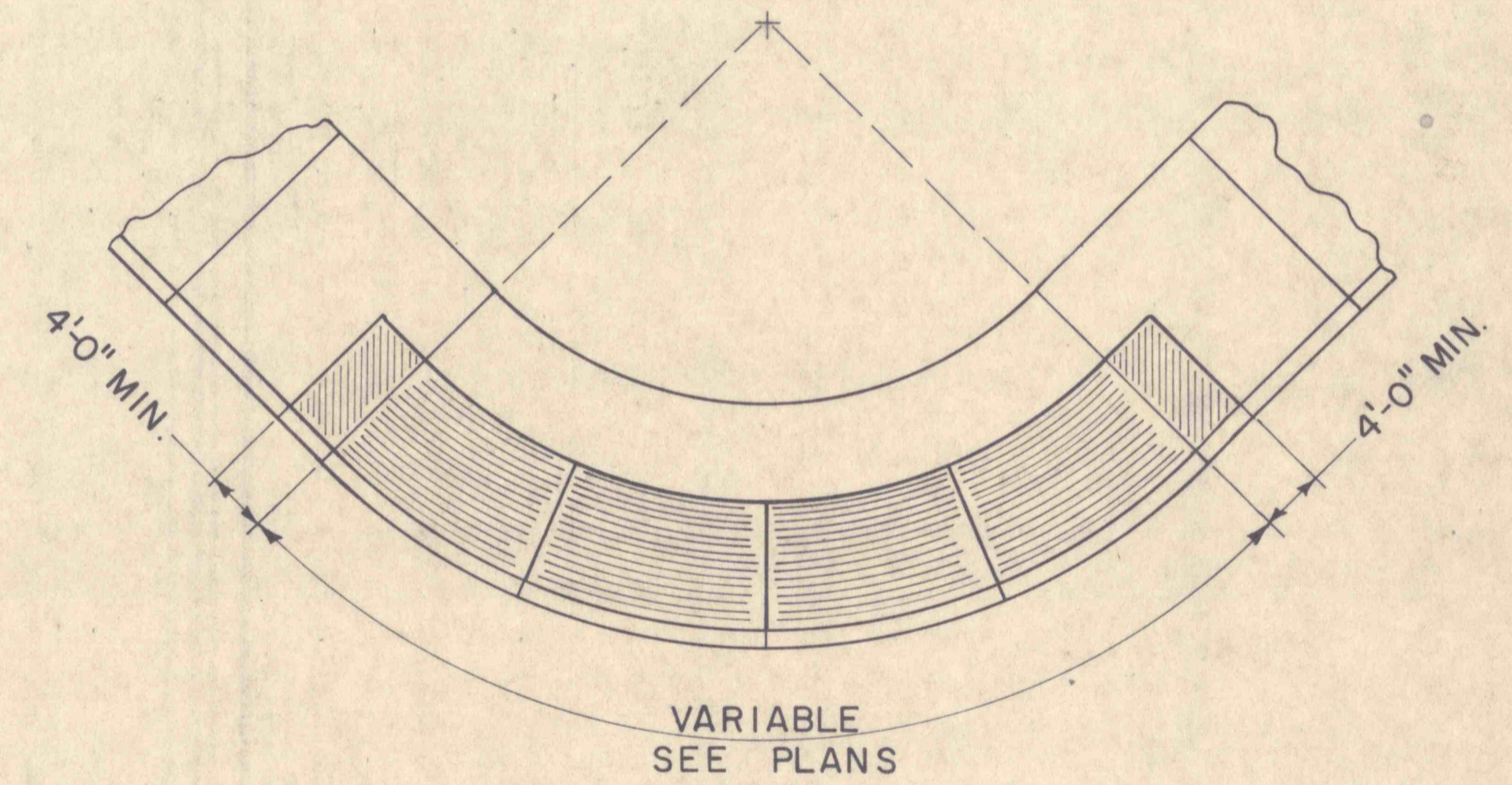
\* SEE X SECTIONS  
 \*\* 2" AT DRIVES, (SEE X-SECTIONS)



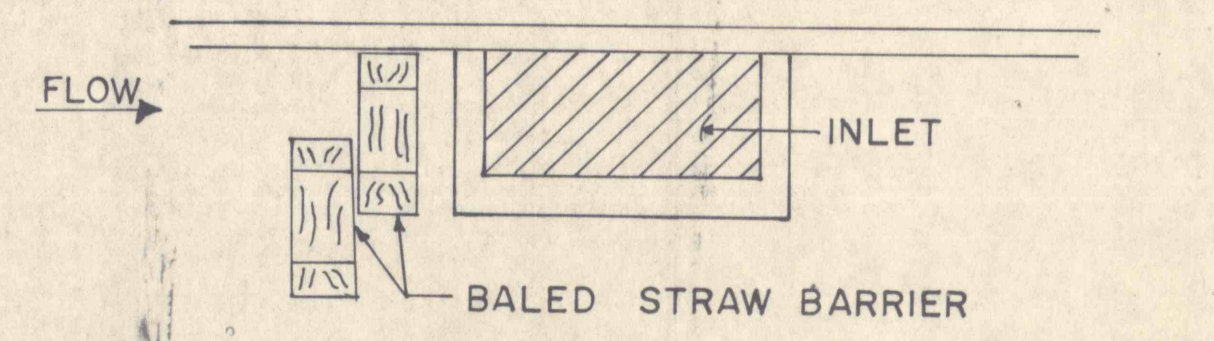
**DETAIL TYPE CORM INLET WITH SUMP**  
 NOT TO SCALE



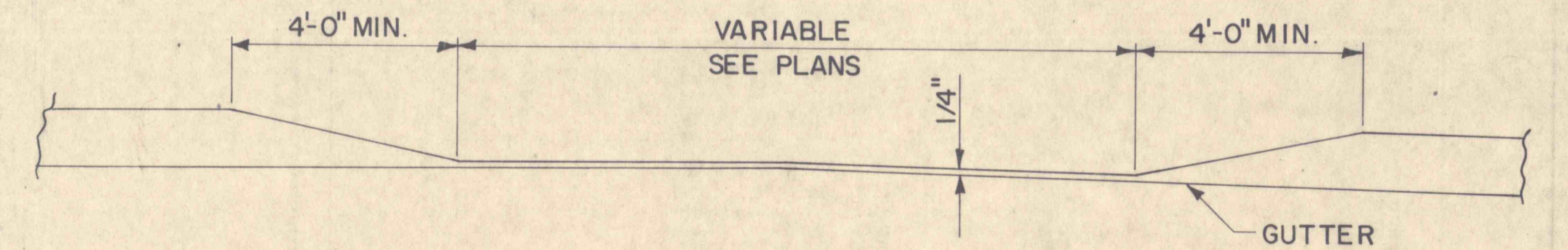
**TYPICAL SECTION CROSS PIPE INSTALLATION**  
 NOT TO SCALE



**PLAN**



**DETAIL FOR BALED STRAW BARRIER**  
 NOT TO SCALE



**ELEVATION HANDICAPPED RAMP DETAIL**  
 NOT TO SCALE