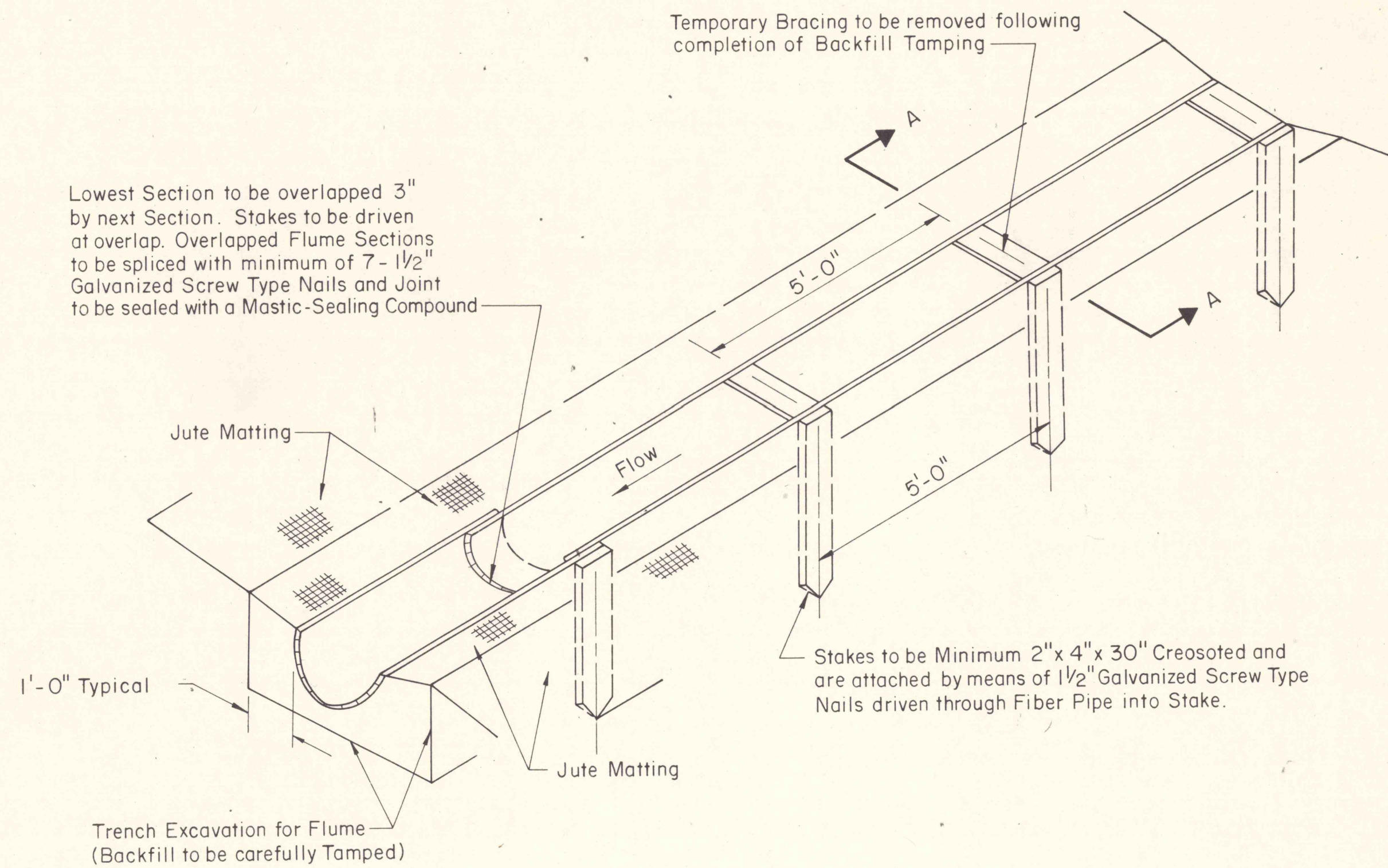
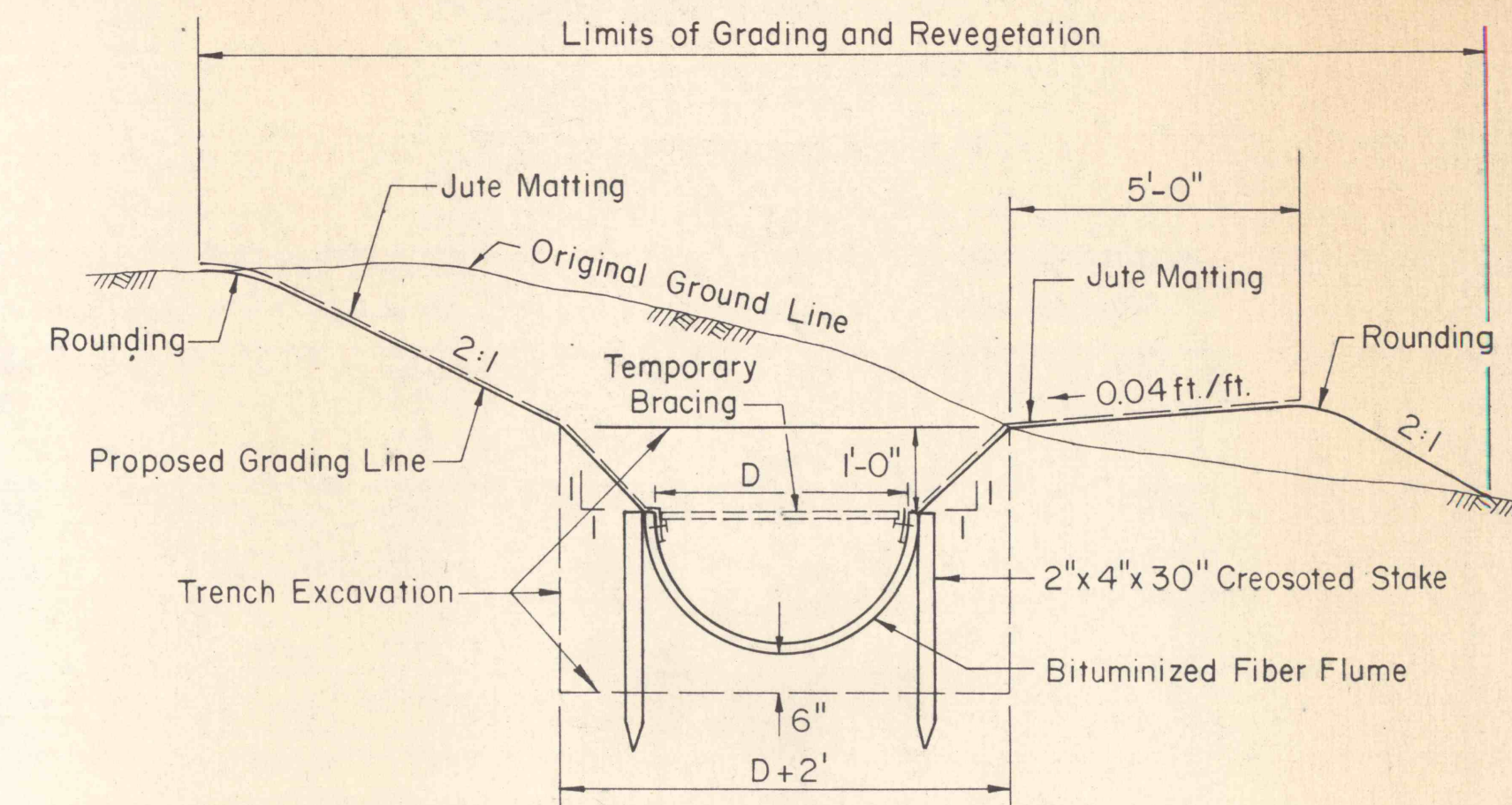


PLAN VIEW

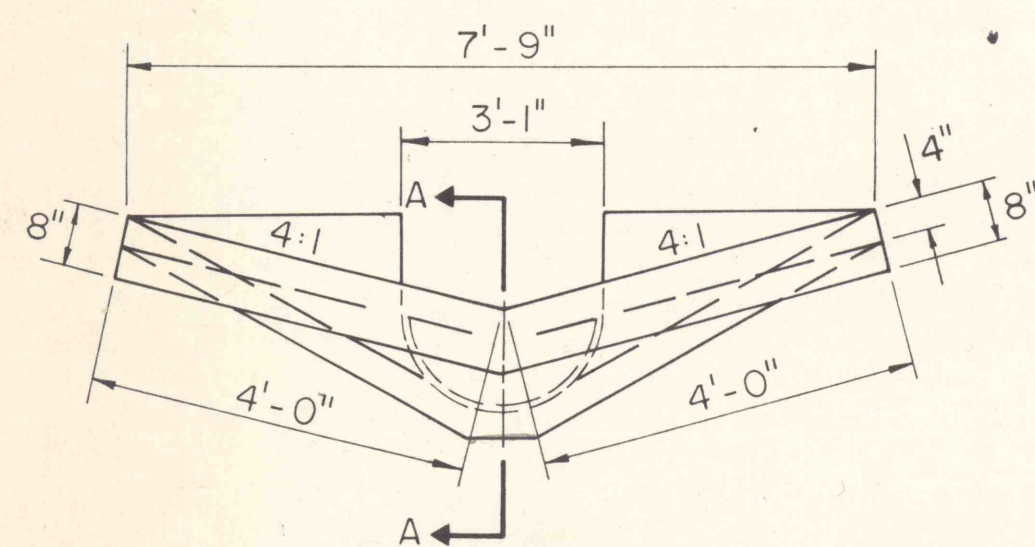


INSTALLATION OF HALF SECTION BITUMINIZED FIBER FLUME

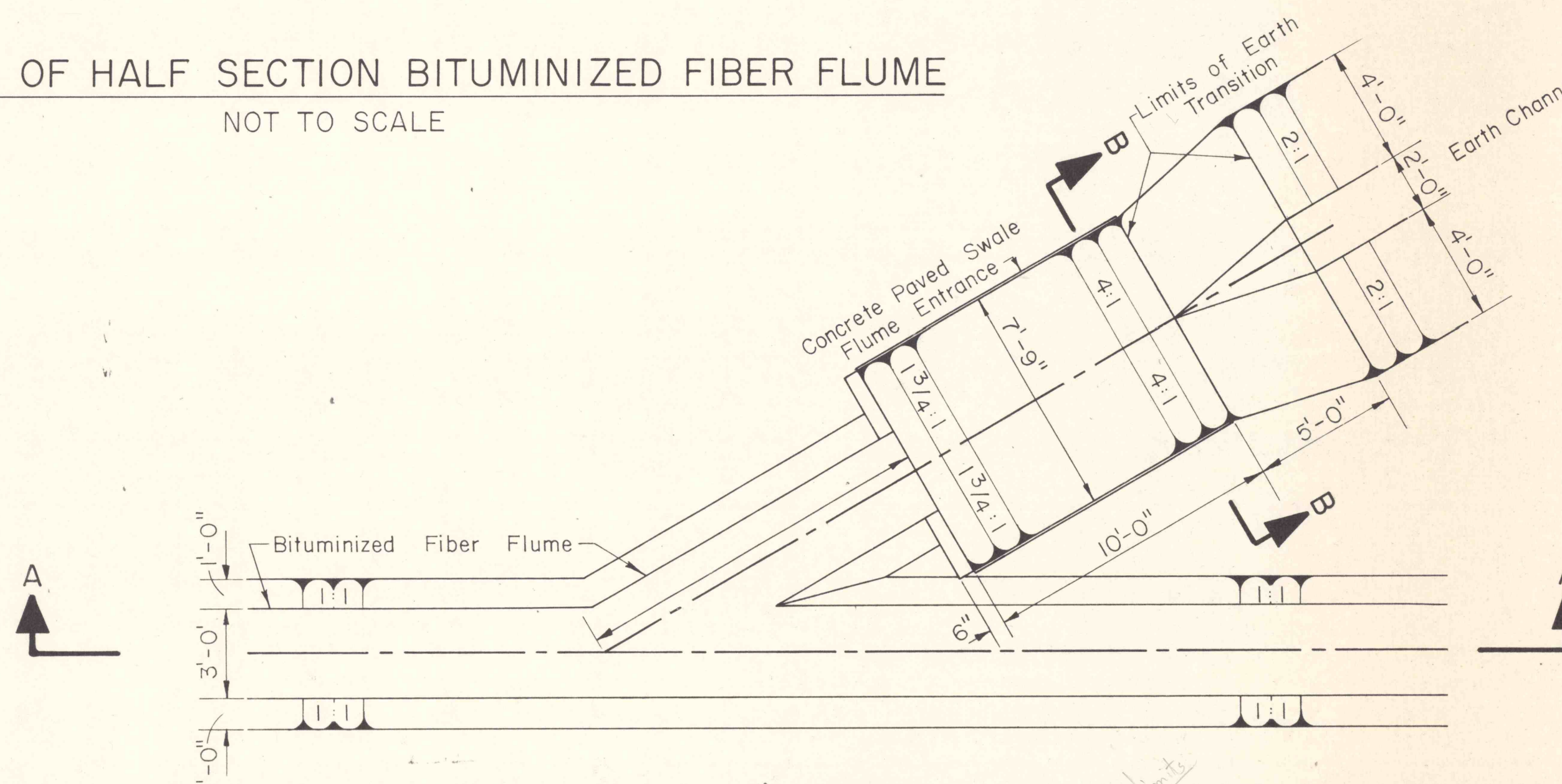
NOT TO SCALE



SECTION A-A  
NOT TO SCALE

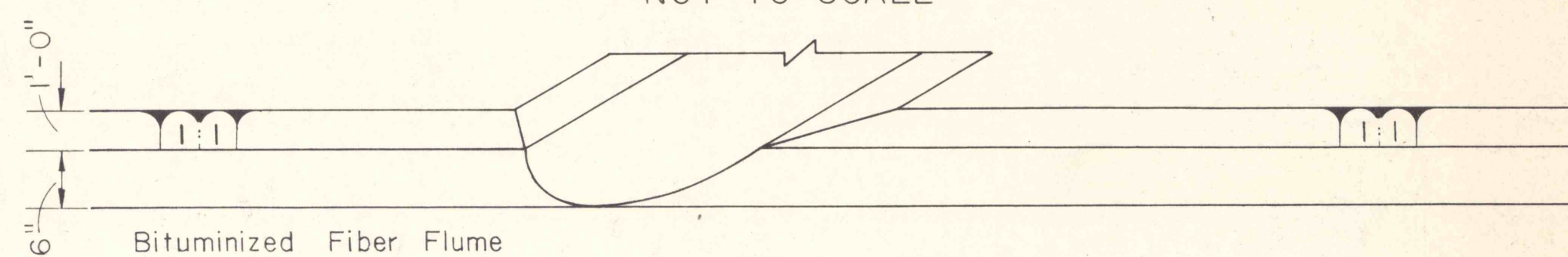


FRONT VIEW

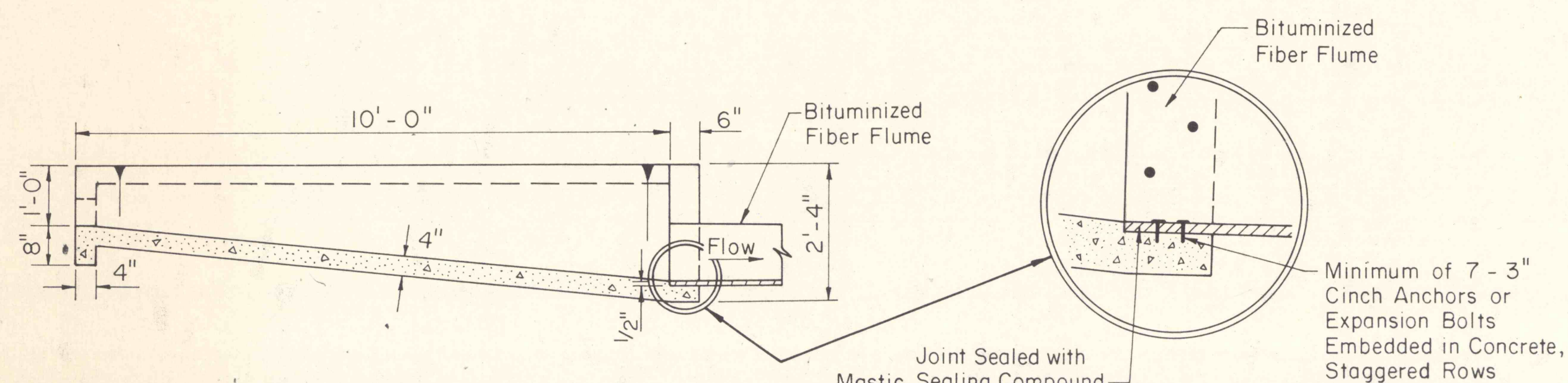


DIVERSION DITCH ENTRANCE TO BITUMINIZED FIBER FLUME

NOT TO SCALE



SECTION A-A

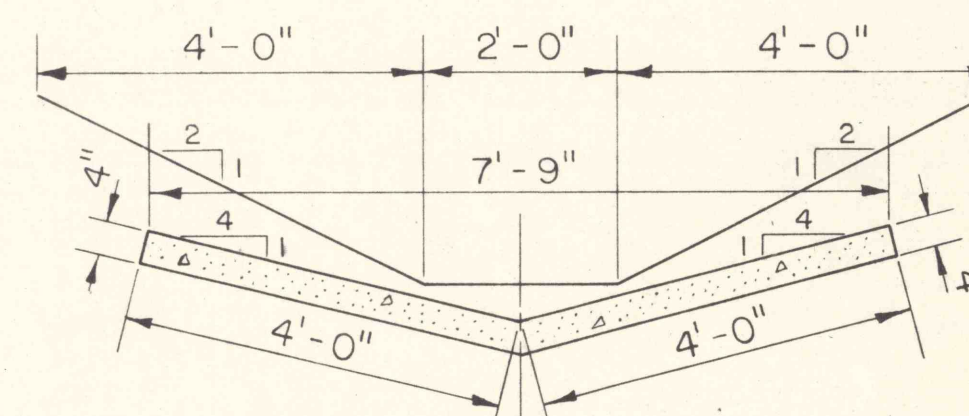


SECTION A-A

DETAIL  
NO SCALE

CONCRETE PAVED SWALE  
FLUME ENTRANCE

SCALE : 1/2" = 1'-0"



SECTION B-B

NO	DATE	REVISION	APPR

COMMONWEALTH OF PENNSYLVANIA  
DEPARTMENT OF ENVIRONMENTAL RESOURCES  
OFFICE OF RESOURCES MANAGEMENT

PROJECT NO. SL 113-5-1

MINE DRAINAGE POLLUTION ABATEMENT  
COAL RUN  
SHAMOKIN CREEK WATERSHED  
NORTHUMBERLAND COUNTY, PA.

ERDMAN, ANTHONY, ASSOCIATES  
Consulting Engineers  
Camp Hill, Pa. Rochester, N.Y.

FIBER FLUME DETAILS

DRAWN BY	DATE	DRAWING NO.
GMS		
CHECKED BY	SCALE	
DHC	AS SHOWN	