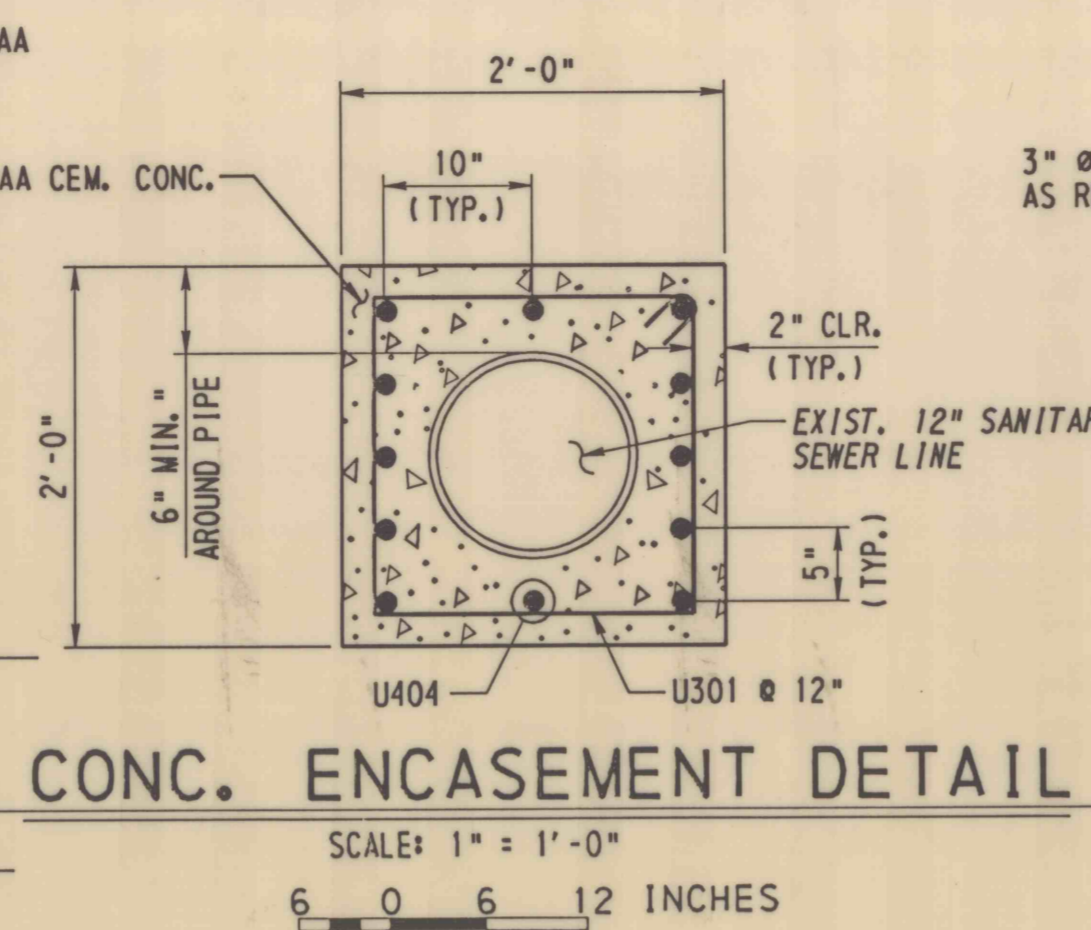


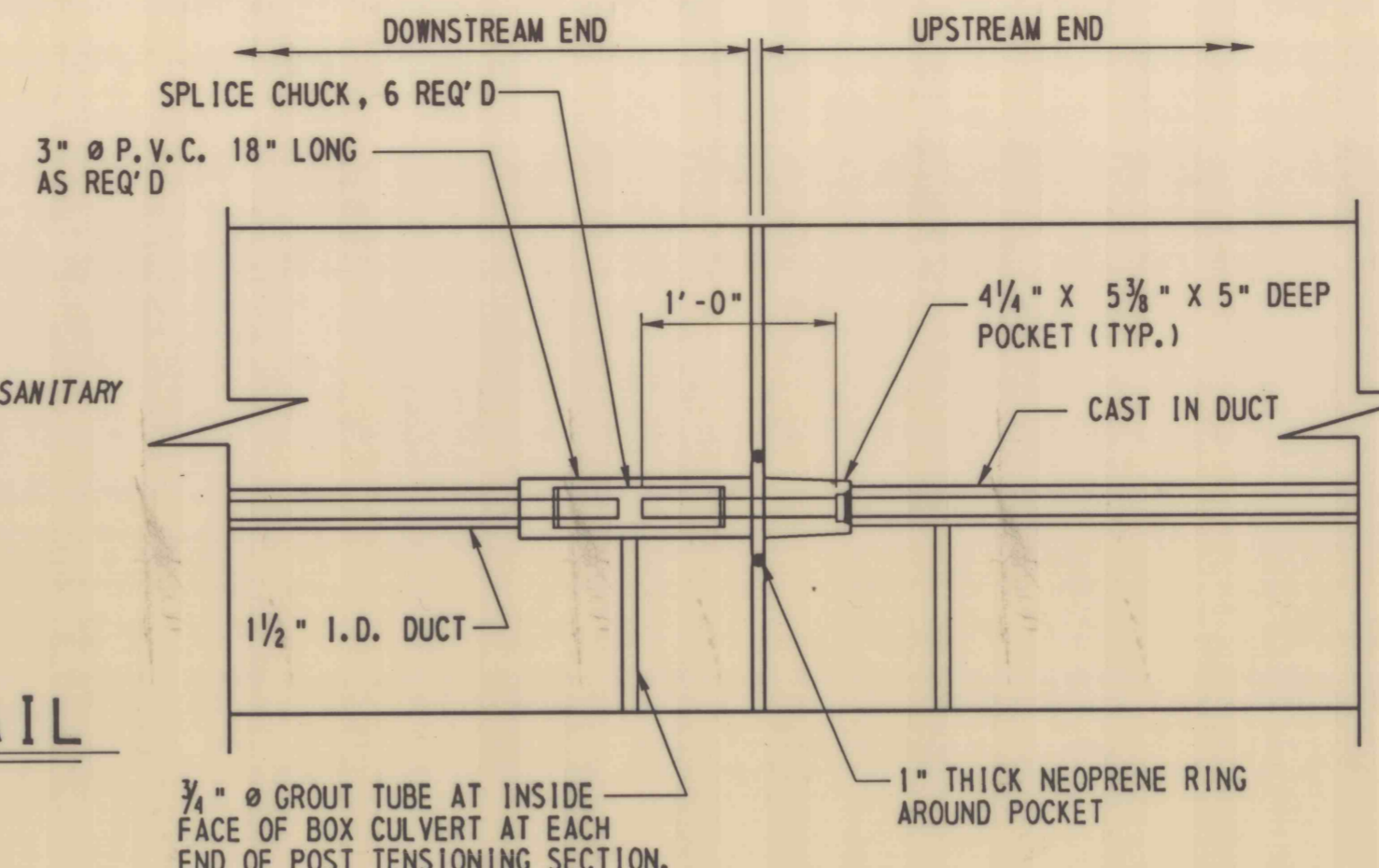
TYP. PRECAST U-WALL SECTION

NOT TO SCALE



CONC. ENCASEMENT DETAIL

SCALE: 1" = 1'-0"  
6 0 6 12 INCHES



POST-TENSIONING SPLICE DETAIL

NOT TO SCALE

NOTES:

- CONTRACTOR IS RESPONSIBLE FOR LEAVING 12" STRAND EXTENSION BEYOND END OF WEDGES AND ENGAGING 3" OF STRAND INTO EACH END OF SPLICE CHUCK.

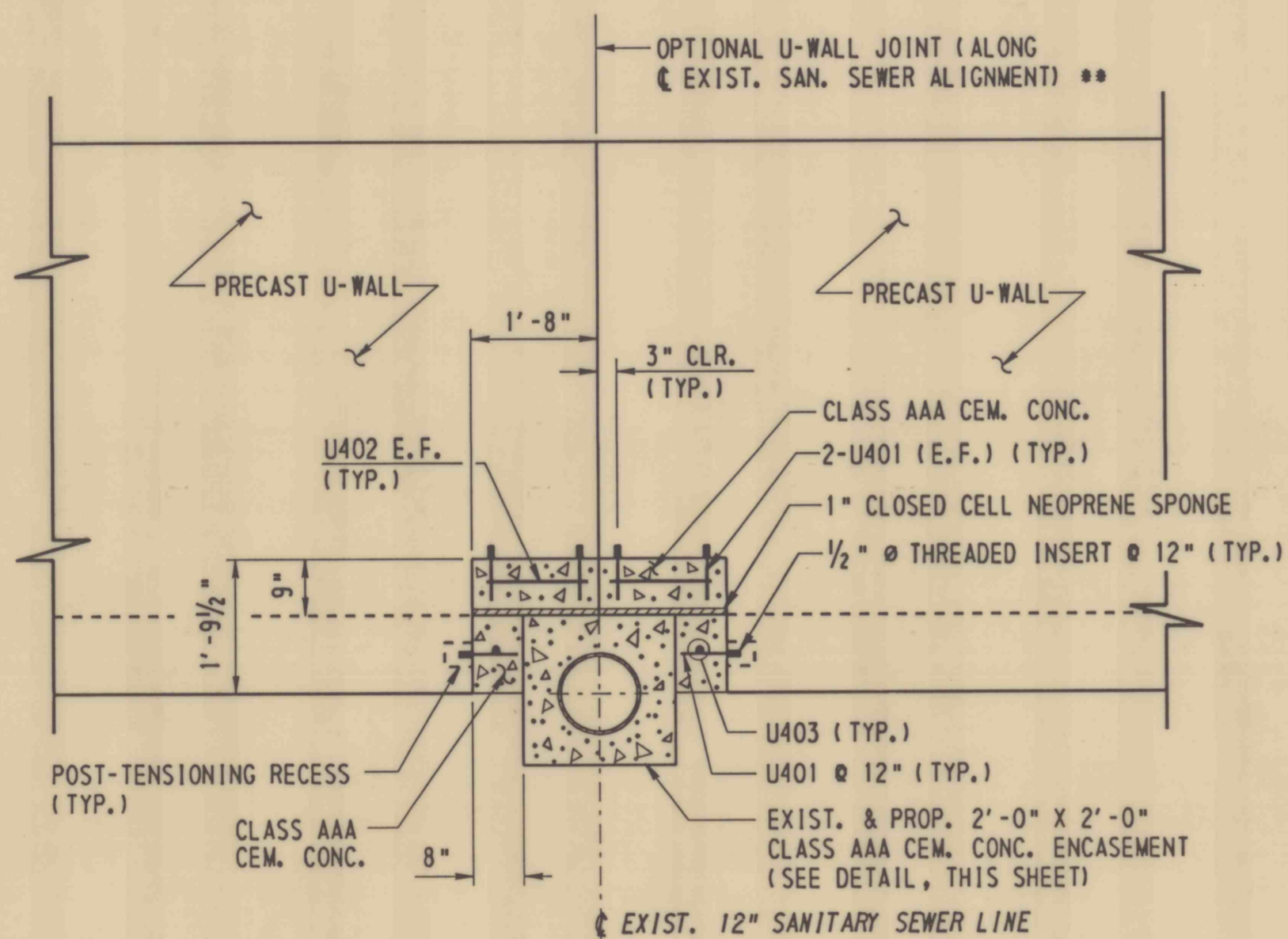
SUMMARY OF ESTIMATED QUANTITIES (FOR INFORMATION ONLY)			
ITEM NO.	ITEM	UNIT	TOTAL
	CLASS 3 EXCAVATION	C. Y.	42
	CLASS A CEMENT CONCRETE	C. Y.	40
	CLASS AA CEMENT CONCRETE (1)	C. Y.	8
	CLASS AAA CEMENT CONCRETE	C. Y.	37
	PRECAST R.C.C. U-WALL, 16'-0" X 5'-6"	L. F.	41
	PROTECTIVE COATING FOR R.C.C. SURFACES (2)	S. Y.	93
	SELECTED BORROW EXC. STRUCTURE BACKFILL	C. Y.	38
	GEOTEXTILE, CLASS 1	S. Y.	100
	ALUMINUM BRIDGE RAILING	L. F.	30
	NO. 8 COARSE AGGREGATE	C. Y.	54
	NO. 57 COARSE AGGREGATE	C. Y.	4
	FIBERGLASS MEMBRANE WATERPROOFING	S. Y.	66
	MECHANICAL SPLICE SYSTEM FOR NO. 4 REINFORCEMENT BARS, EPOXY COATED	EA.	38
AND			
1002-0053	REINFORCEMENT BARS, EPOXY COATED	LB.	9,591
AND			
9000-0036	TEMPORARY BRACING	S. F.	188
9018-0050	REMOVAL OF PORTION OF EXISTING CONC. U-CHANNEL	L. S.	L. S.
1019-0010(3)	PROTECTIVE COATING FOR R.C.C. SURFACES (2)	S. Y.	6
1091-0332	EPOXY INJECTION CRACK SEAL FOR BRIDGE DECKS	L. F.	100

NOTES:

- MINIMUM ACCEPTABLE SECTION LENGTH: 4'-0"
- PRECAST R.C. CONC. U-WALL REINFORCING IS TO BE DESIGNED BY THE MANUFACTURER, INCLUDING LIFTING STRESSES, AND MUST MEET MINIMUM REQUIREMENTS SHOWN. REINFORCING BAR SCHEDULE, SHEET 10, DOES NOT INCLUDE THE REINFORCING IN THE PRECAST REINFORCED CONCRETE U-WALL.
- As = AREA OF STEEL, SQ. IN. PER FOOT.
- MAXIMUM ALLOWABLE DESIGN FOUNDATION PRESSURE FOR BOX = 1.00 T/SF.
- SUBMIT SHOP DRAWINGS IN ACCORDANCE WITH PUBLICATION 408/94.

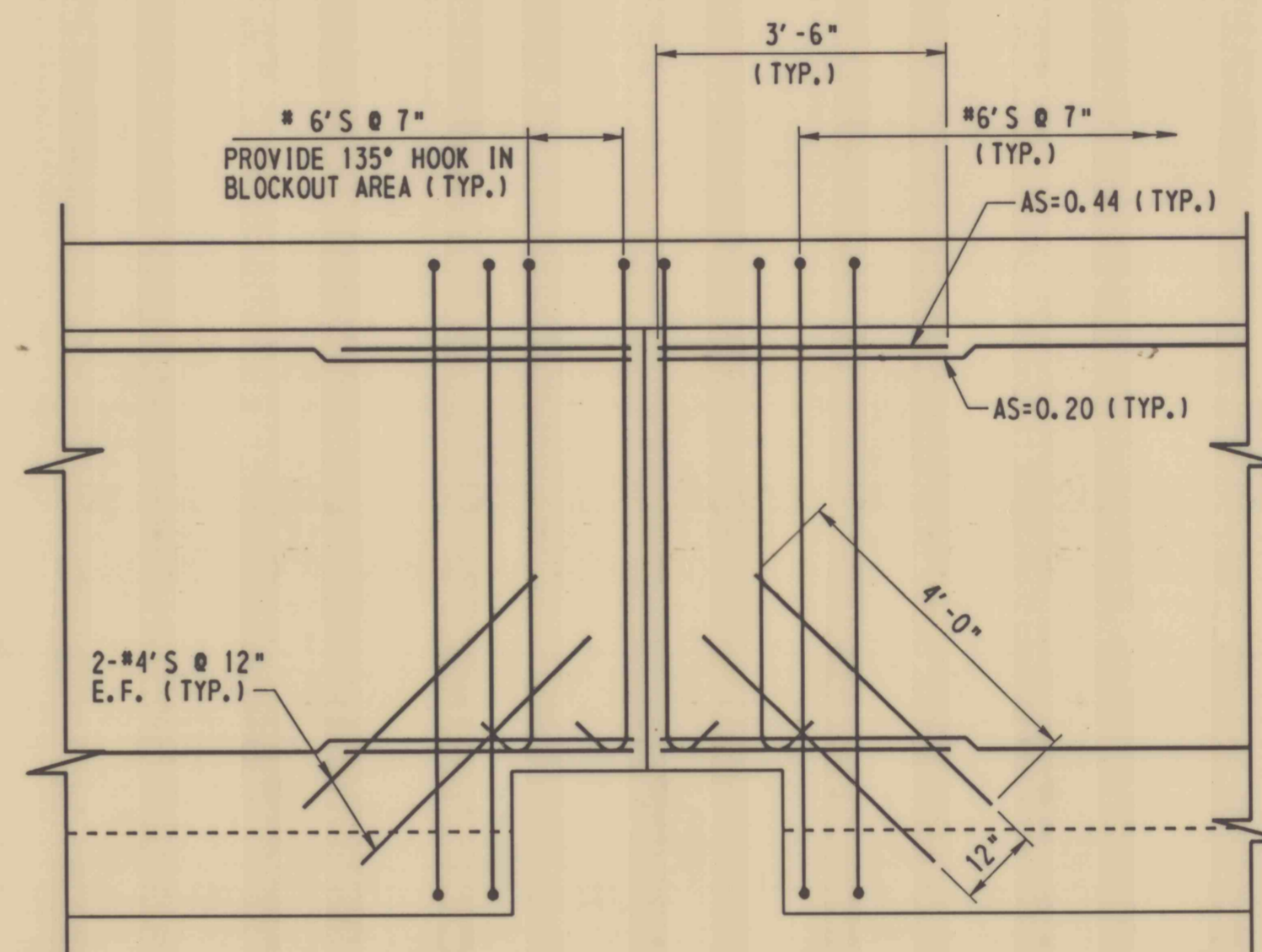
SUGGESTED STRESSING SEQUENCE

- 1) ALL STRANDS IN BOTTOM SLAB (SIMULTANEOUS)
- 2) ALL STRANDS IN SIDE WALLS (SIMULTANEOUS)



PRECAST U-WALL BLOCKOUT DETAIL

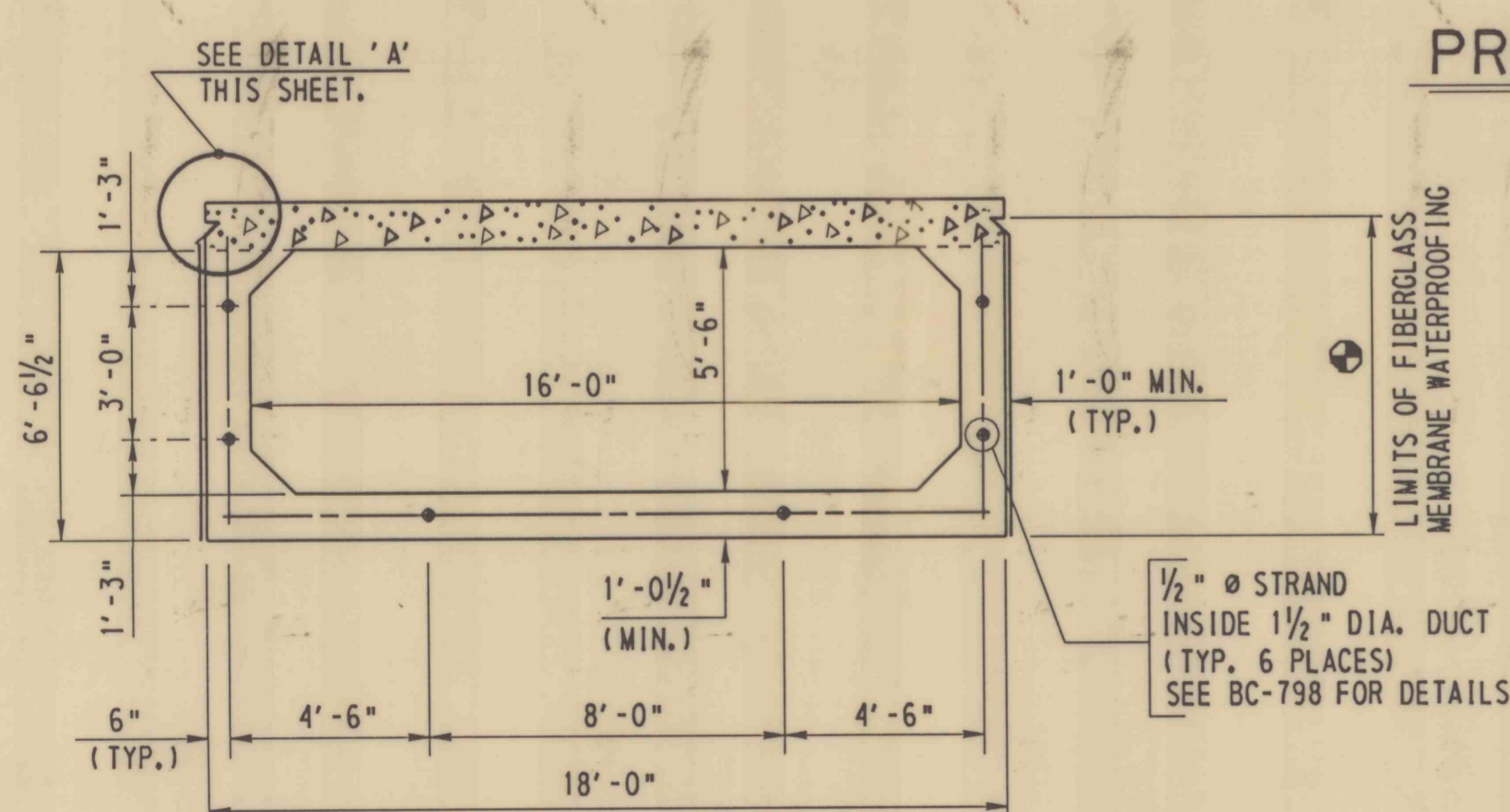
SCALE: 1/2" = 1'-0"  
0 1 2 FEET



PRECAST U-WALL STEEL DETAIL

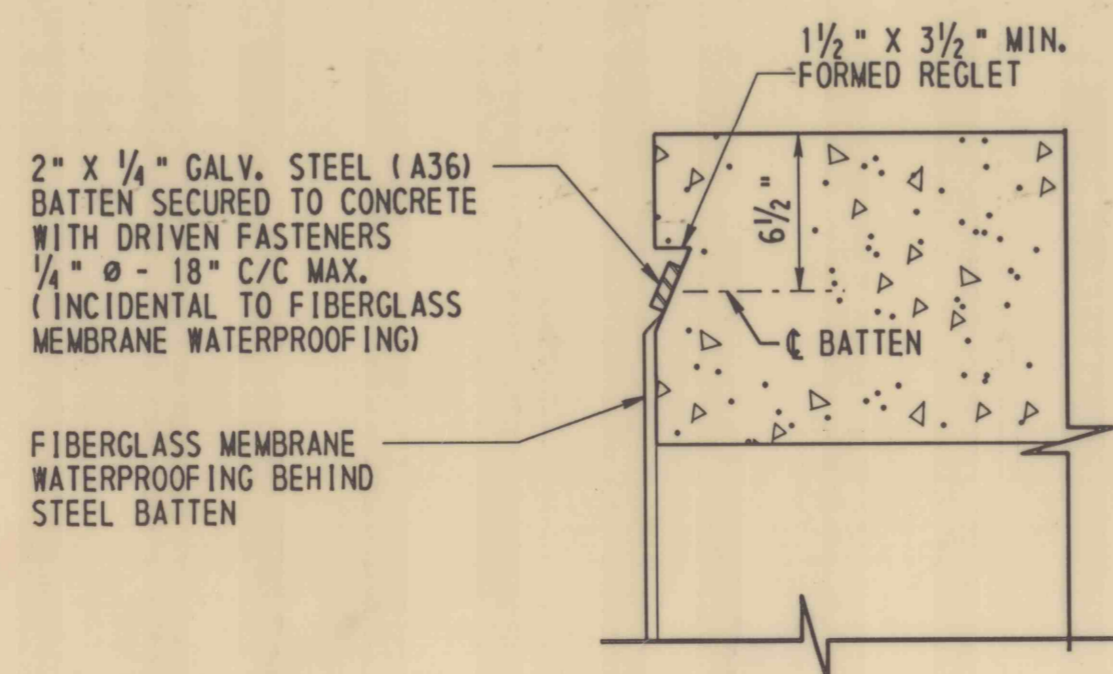
BLOCKOUT

SCALE: 1/2" = 1'-0"  
0 1 2 FEET



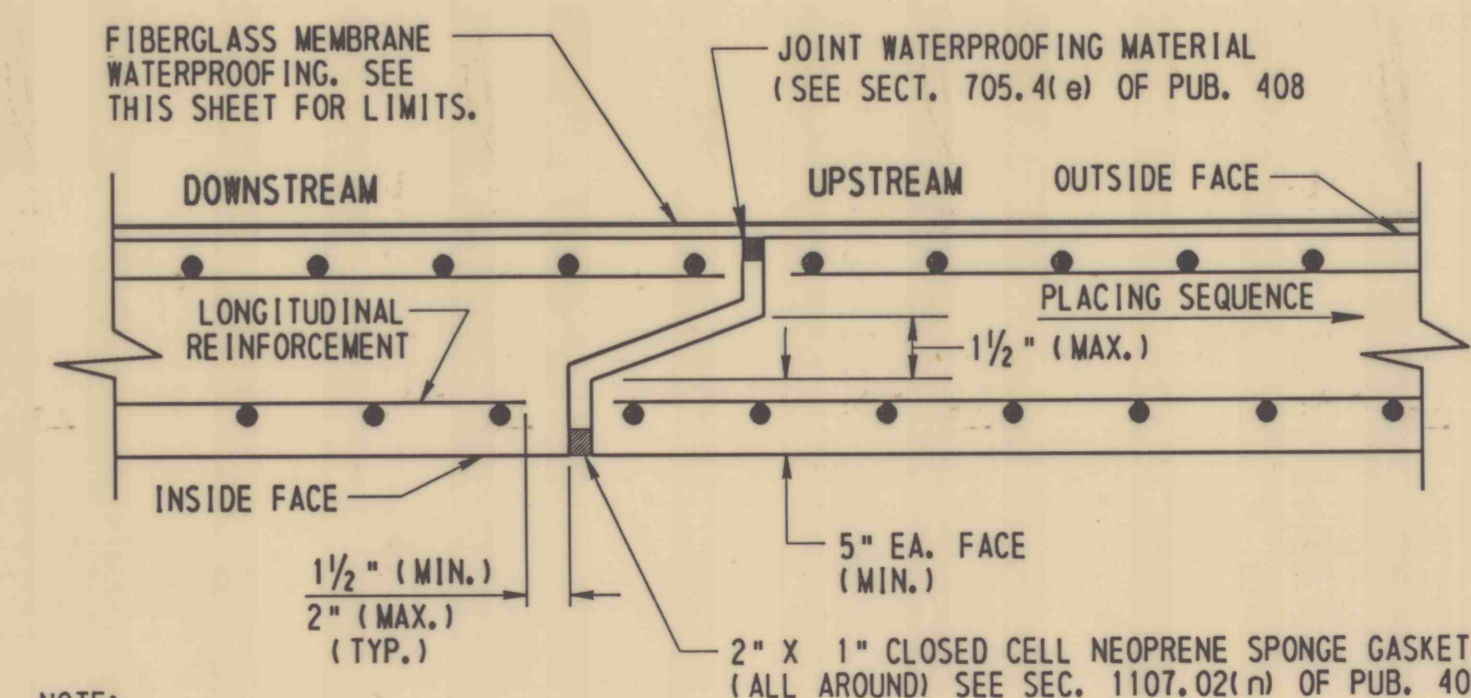
PRECAST CONCRETE U-WALL SECTION STRAND LOCATIONS & WATERPROOFING

SCALE: 1/4" = 1'-0"



DETAIL 'A'

NOT TO SCALE



JOINT SEALING DETAIL

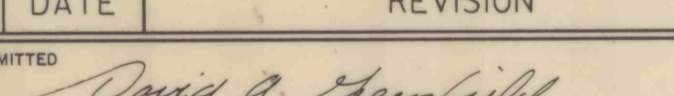
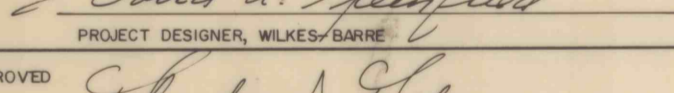

TYPICAL ALL JOINTS \*

NOT TO SCALE

- (1) INCLUDES SIDEWALKS AND PARAPETS
- (2) BOILED LINSEED OIL
- (3) ADDITIONAL PROTECTIVE COATING (2 COATS) TO THE BRIDGE DECK FOR EXCESSIVE CRACKING OF BRIDGE DECK, AS SPECIFIED AND AS DIRECTED BY THE ENGINEER.

NOTES:

- PRECISE ALIGNMENT OF DUCTS AT JOINTS IS CRITICAL.
- FOR POST-TENSIONING INSTRUCTIONS & POST-TENSION CONNECTION DETAILS SEE STANDARD BC-798 AND THIS SHEET.
- POST-TENSIONING TO BE PERFORMED IN ACCORDANCE WITH PUB. 408/94, SECTION 1108.
- PRESTRESSING STEEL, ANCHORAGES, BEARING DEVICES, FITTINGS, COUPLINGS, GROUT SLEEVE, PLASTIC GROUT TUBE & VALVE IF REQ'D ARE INCIDENTAL TO PRECAST BOX CULVERT.
- SEAL AROUND EACH DUCT JOINT WITH A NEOPRENE SPONGE DONUT.

NO.	DATE	REVISION	APPR.
SUBMITTED			
 PROJECT DESIGNER, WILKES-BARRIE			
APPROVED			
 CHIEF, DESIGN SECTION, WILKES-BARRIE			
			
COMMONWEALTH OF PENNSYLVANIA DEPARTMENT OF ENVIRONMENTAL PROTECTION			
PROJECT NO. OSM 35(2080) 102.1			
STREAM CHANNEL REHABILITATION STERRY CREEK SOUTH JESSUP BOROUGH			
LACKAWANNA COUNTY, PENNSYLVANIA			
PRECAST U-WALLS DETAILS & BLOCKOUT DETAILS			
DRAWN BY	DATE	DRAWING NO.	
PA. D.O.T.	SEP. 26, 1996		
CHECKED BY	SCALE		
UJO	AS SHOWN		
			13 of 26

ALL DIMENSIONS AND EXISTING CONDITIONS SHALL BE CHECKED AND VERIFIED BY CONTRACTOR AT THE SITE.