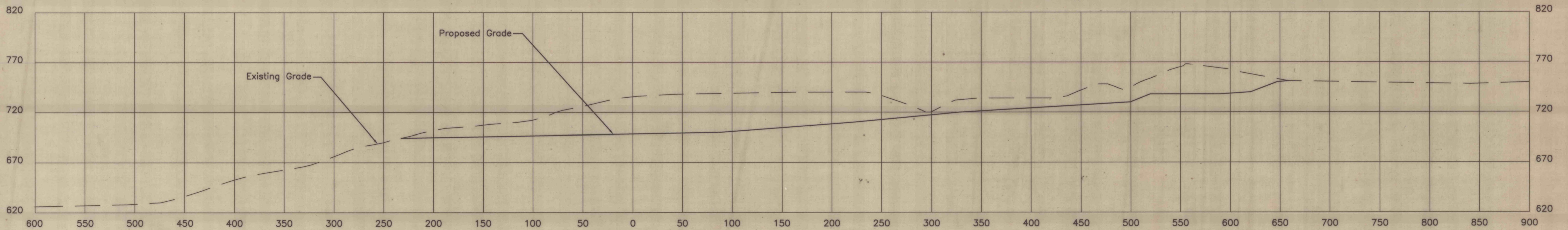
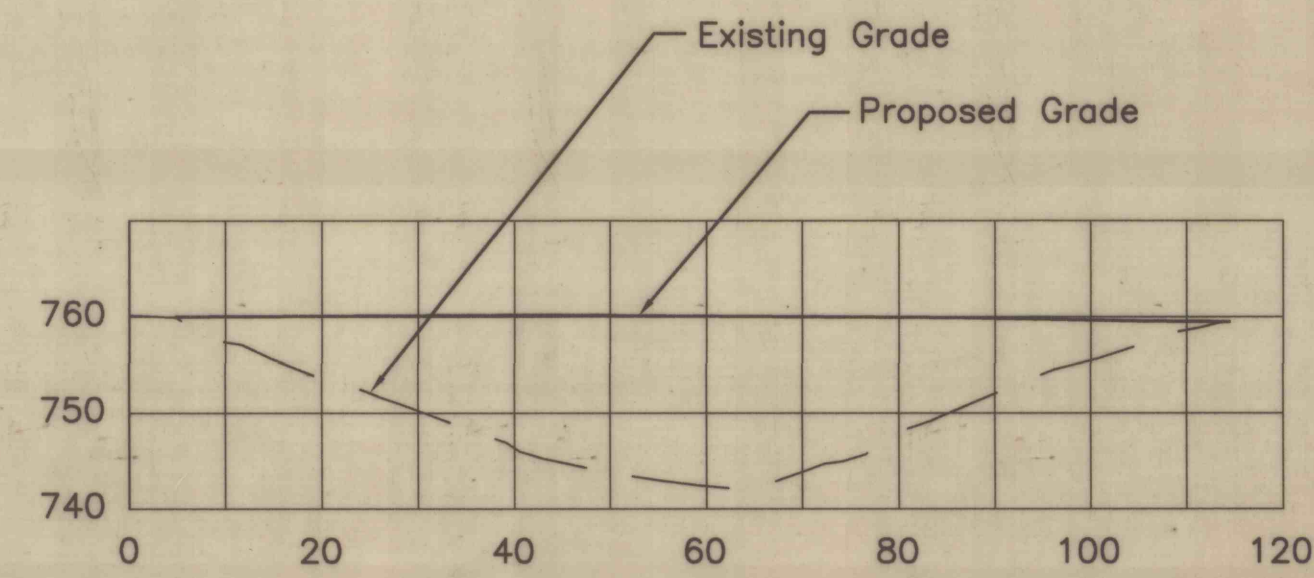


Sta. 9+25
ALTERNATE BASELINE
(Grading Area A)
Scale: 1 in. = 50 ft.

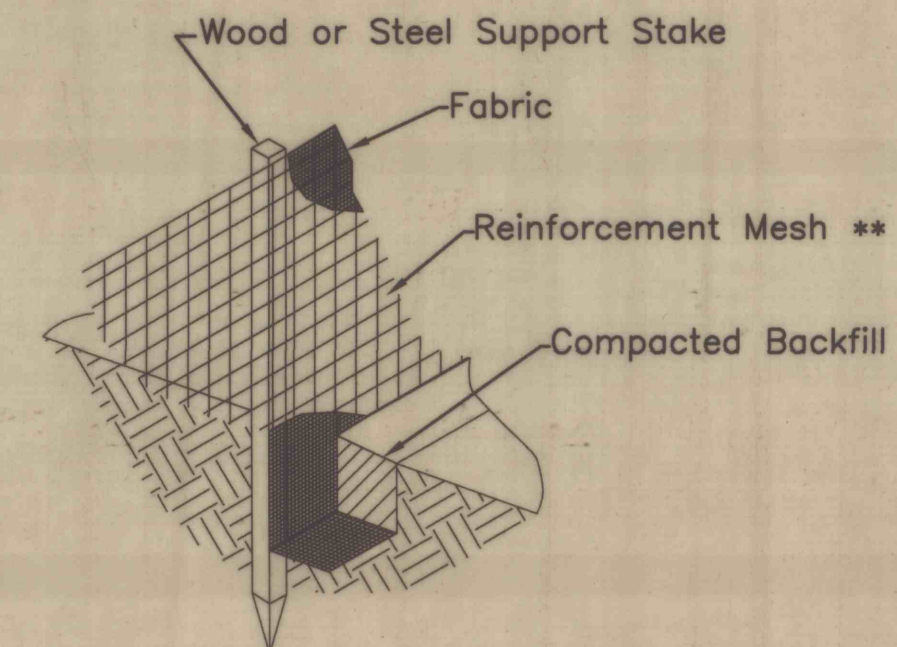
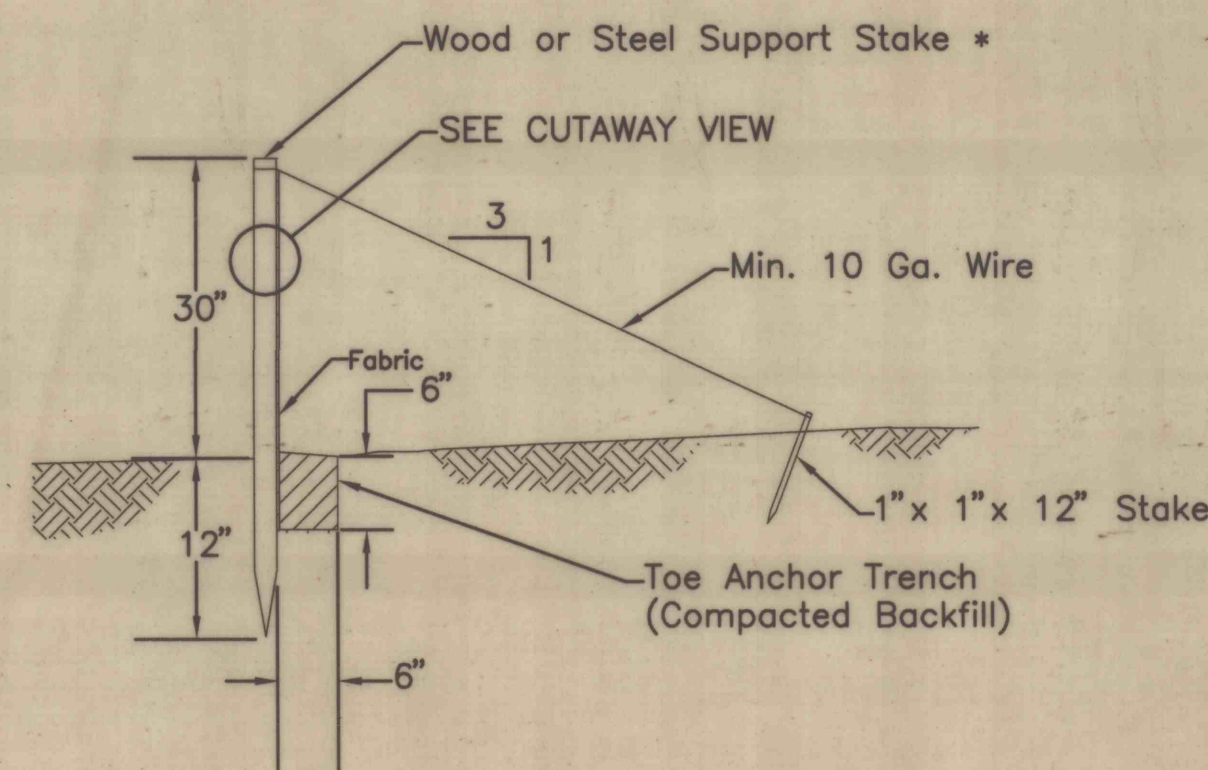


Sta. 2+75
ALTERNATE BASELINE
(Grading Area A)
Scale: 1 in. = 50 ft.



Sta. 32+50
(Grading Area B)
Scale: 1 in. = 20 ft.

** MESH: Either Industrial Polypropylene
or Steel Mesh w/Max. 6" x 6"
Openings - Min. 14 Ga.
* Spacing Of Support Stakes at 8' Max.

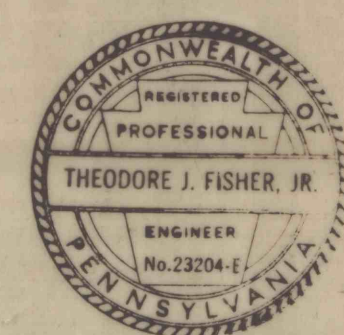


FILTER FABRIC FENCE

(Not To Scale)

NO.	DATE	REVISION	APPR.

SUBMITTED *Matthew Curran*
PROJECT DESIGNER, WILKES-BARRE
APPROVED *Theodore J. Fisher, Jr.*
CHIEF, DESIGN SECTION, WILKES-BARRE



COMMONWEALTH OF PENNSYLVANIA
DEPARTMENT OF ENVIRONMENTAL PROTECTION

CONTRACT NO OSM 40(3702)102.1

BACKFILLING STRIP PITS
SOUTH NEWPORT CENTER CEMETERY
NEWPORT TOWNSHIP
LACKAWANNA COUNTY, PENNSYLVANIA

**CROSS SECTIONS &
DETAILS**

DRAWN BY <i>S.P.F.</i>	DATE FEB. 13, 1997	DRAWING NO. 6 of 6
CHECKED BY <i>UJG</i>	SCALE As Shown	

ALL DIMENSIONS AND EXISTING
CONDITIONS SHALL BE CHECKED
AND VERIFIED BY CONTRACTOR
AT THE SITE.