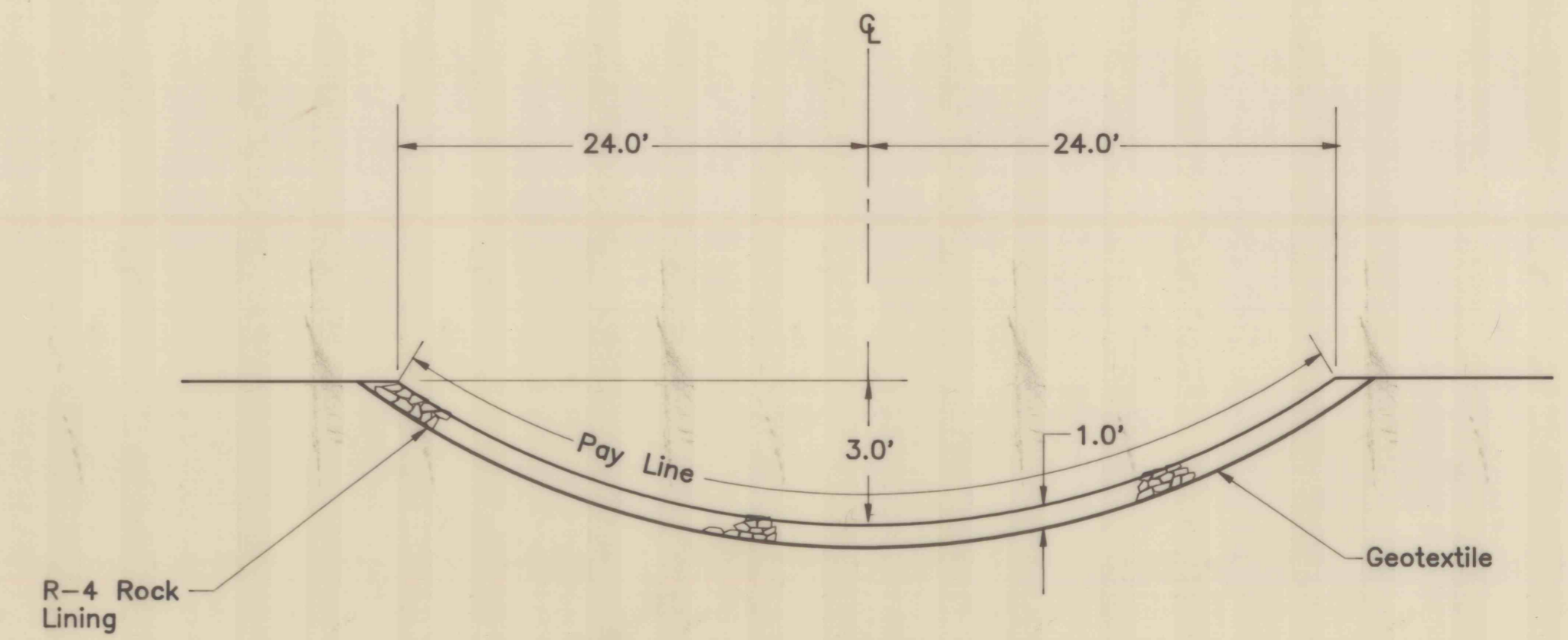
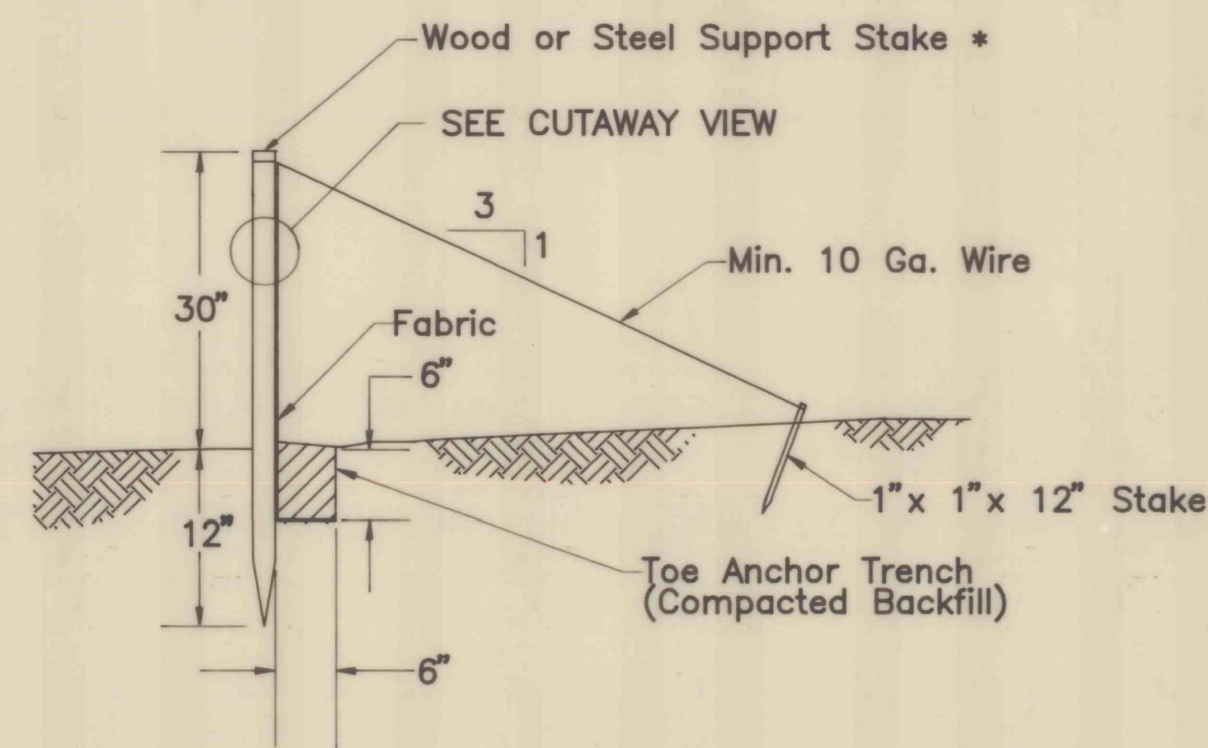


**DITCH CROSS SECTION
ROCK LINING**
(Not To Scale)

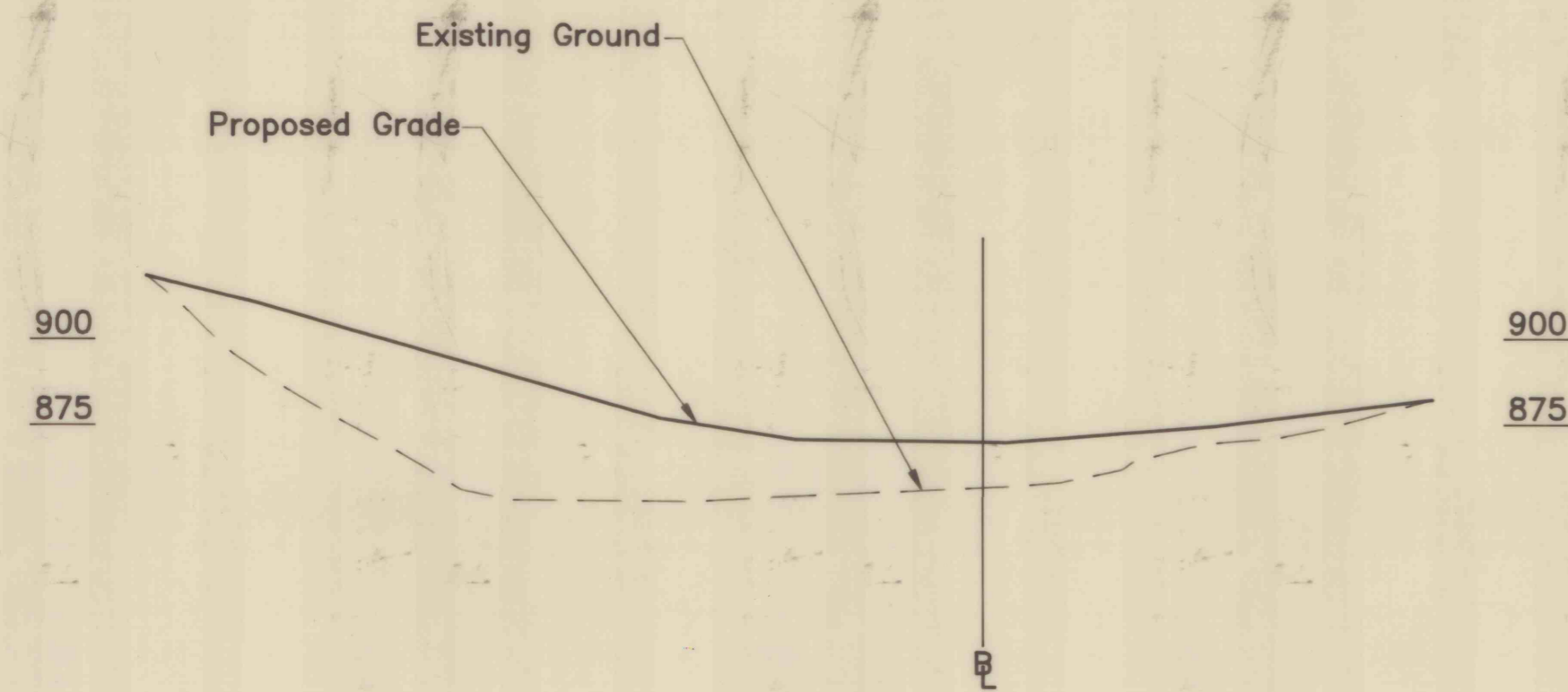
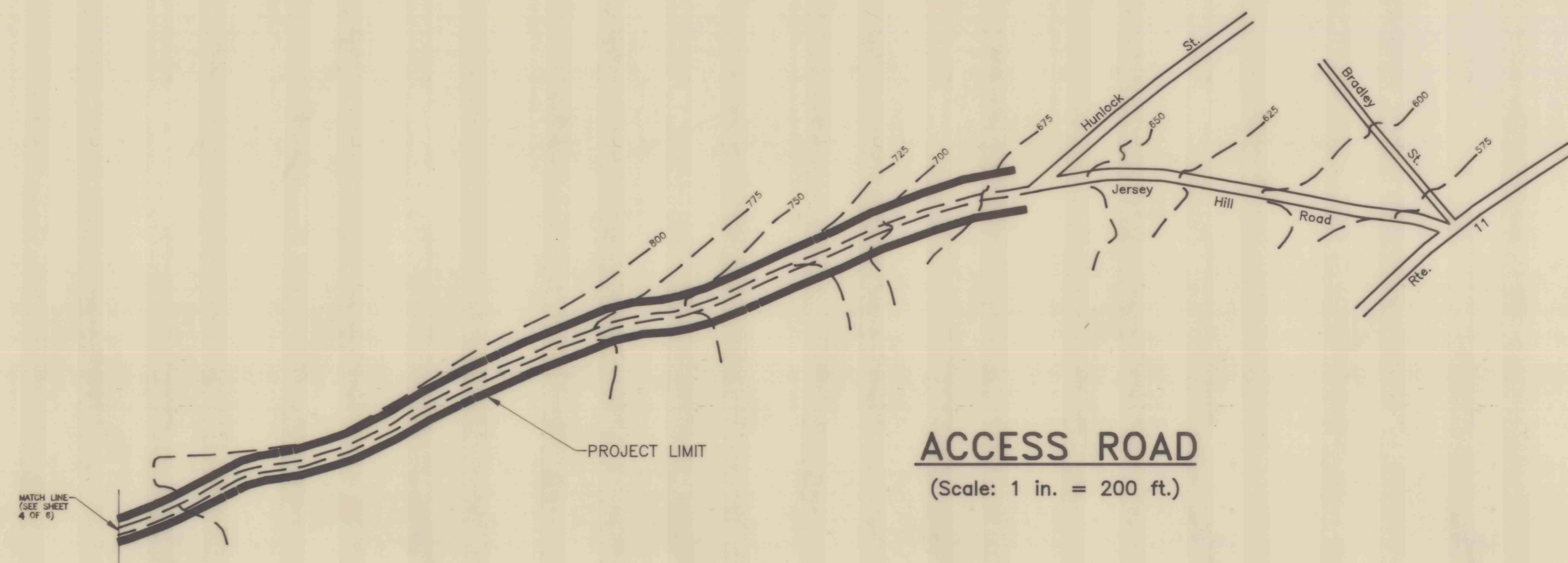
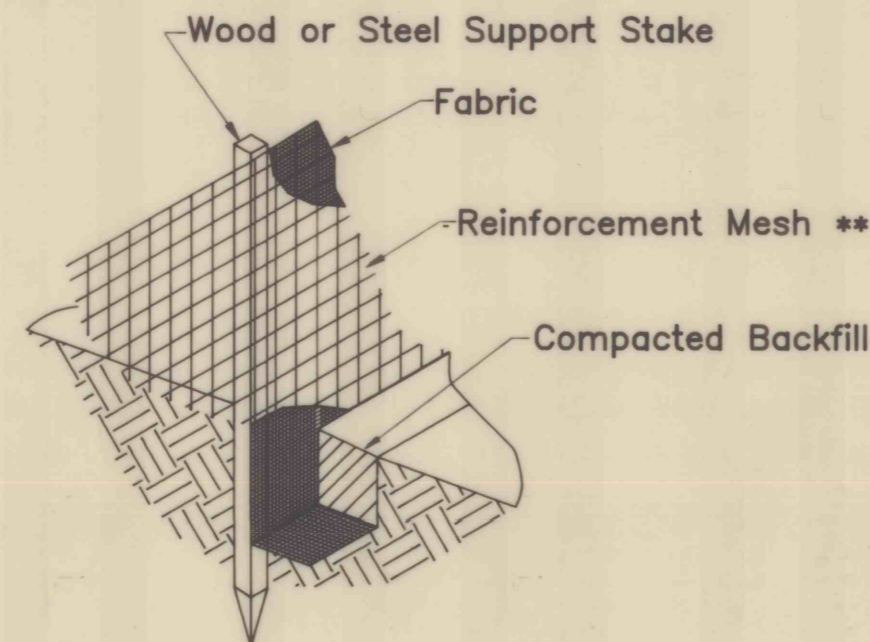


**SWALE CROSS SECTION
ROCK LINING**
(Not To Scale)

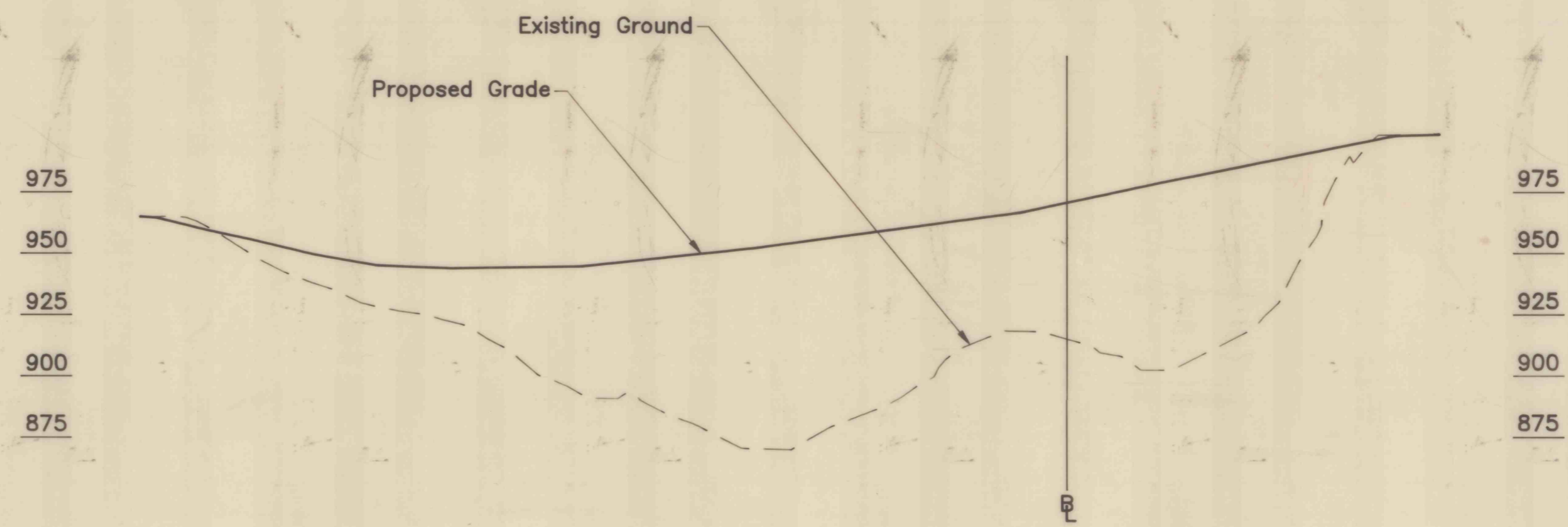
** MESH: Either Industrial Polypropylene or Steel Mesh w/Max. 6" x 6" Openings - Min. 14 Ga.
* Spacing Of Support Stakes at 8' Max.



DETAILS FILTER FABRIC FENCE
(Not To Scale)



**CROSS SECTION
Sta. 23+00**
(Scale: 1 in. = 50 ft.)



**CROSS SECTION
Sta. 33+00**
(Scale: 1 in. = 50 ft.)

NO.	DATE	REVISION	APPR.
SUBMITTED <i>John Davis</i> PROJECT DESIGNER, WILKES-BARRE			
APPROVED <i>Theodore J. Fisher</i> CHIEF, DESIGN SECTION, WILKES-BARRE			
COMMONWEALTH OF PENNSYLVANIA DEPARTMENT OF ENVIRONMENTAL PROTECTION			
CONTRACT NO. OSM 40(2138)101.1			
BACKFILLING STRIP PIT CURRY HILL - AVONDALE PLYMOUTH TOWNSHIP LUZERNE COUNTY, PENNSYLVANIA			
CROSS SECTIONS & DETAILS			
DRAWN BY <i>S.P.F.</i>	DATE MAR. 7, 1996	DRAWING NO. 6 of 6	
CHECKED BY <i>UTJ</i>	SCALE As Shown		

ALL DIMENSIONS AND EXISTING CONDITIONS SHALL BE CHECKED AND VERIFIED BY CONTRACTOR AT THE SITE.