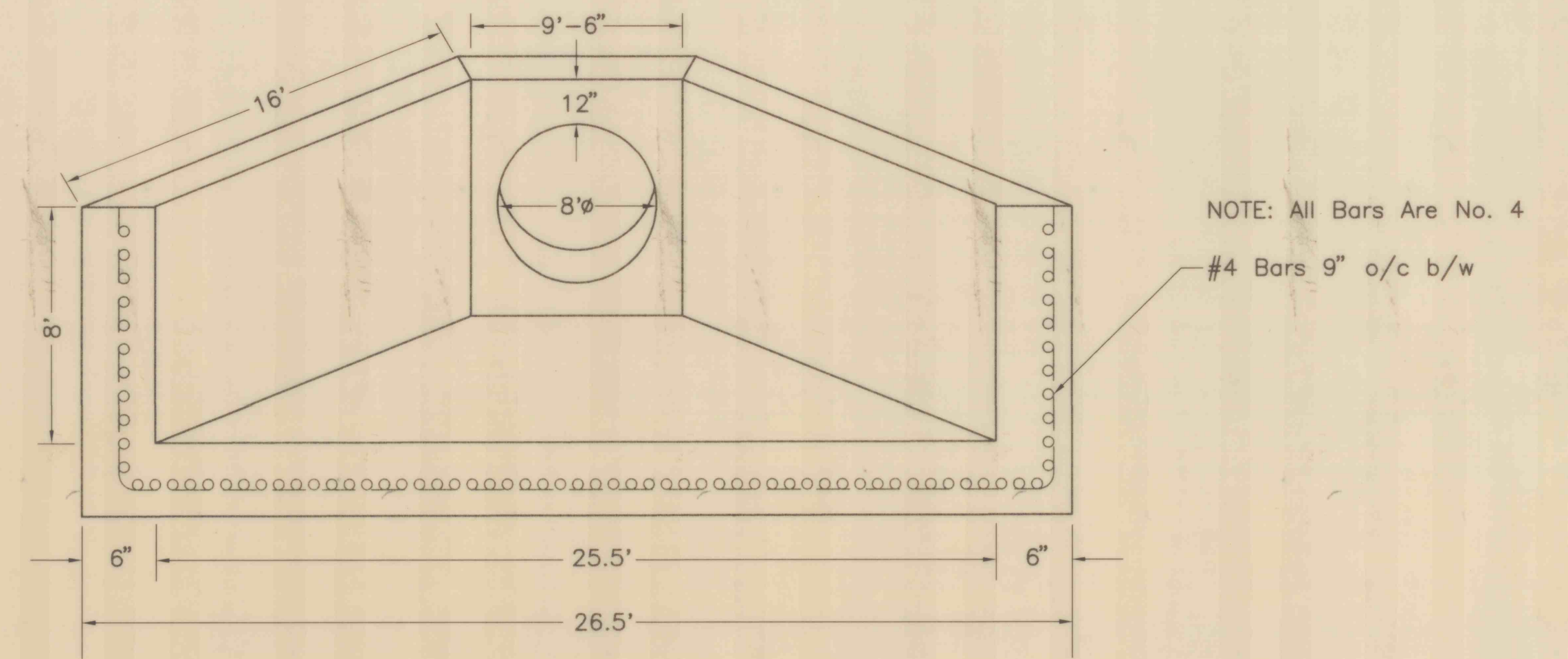
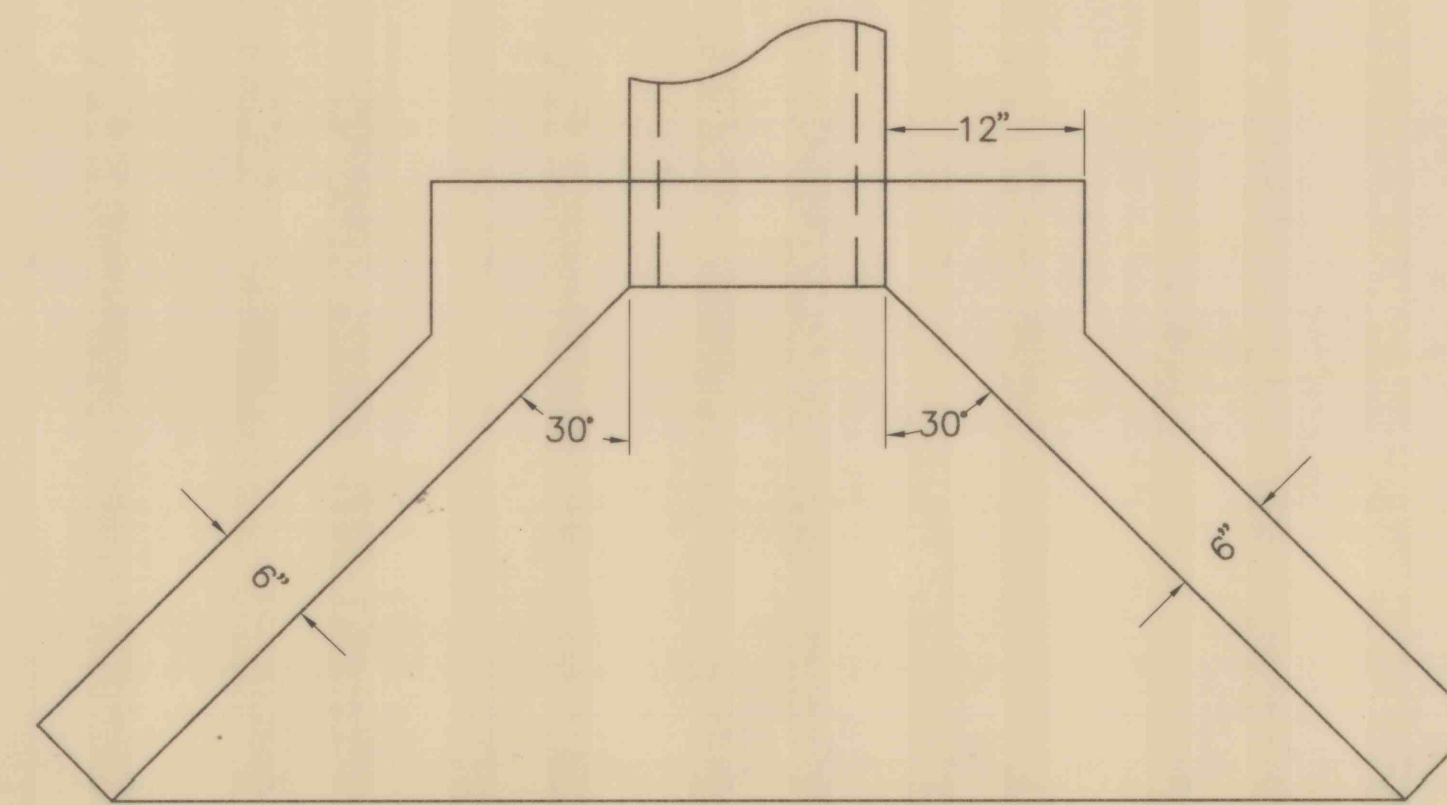


**PIPE CULVERT CROSS SECTION**

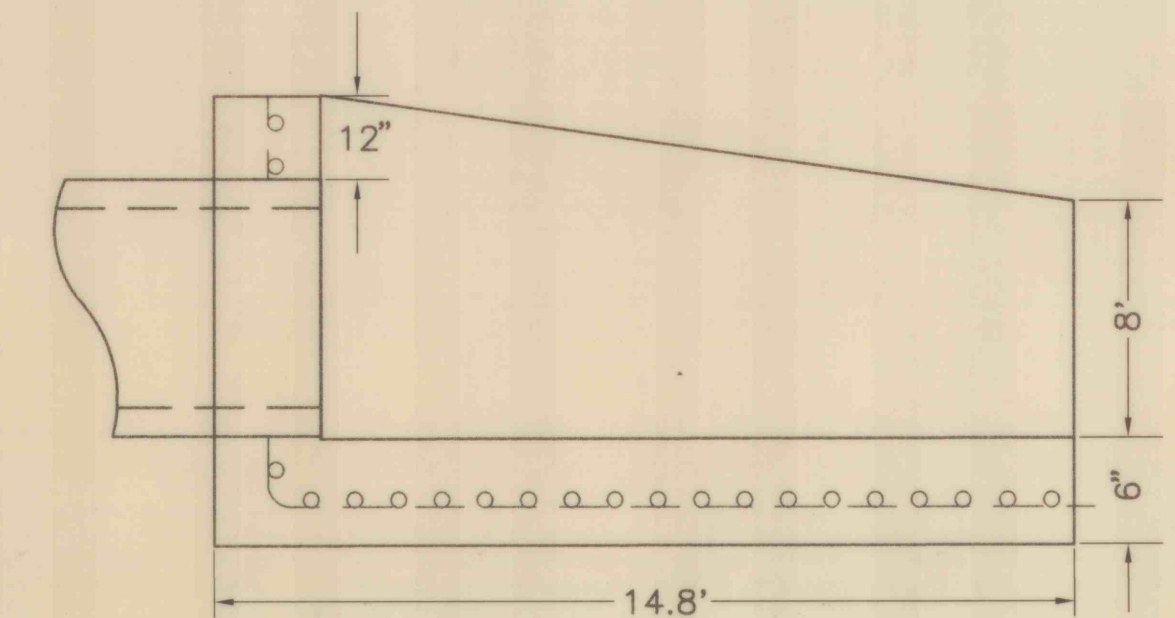
(Scale: 1 in. = 5 ft.)



**FRONT VIEW**



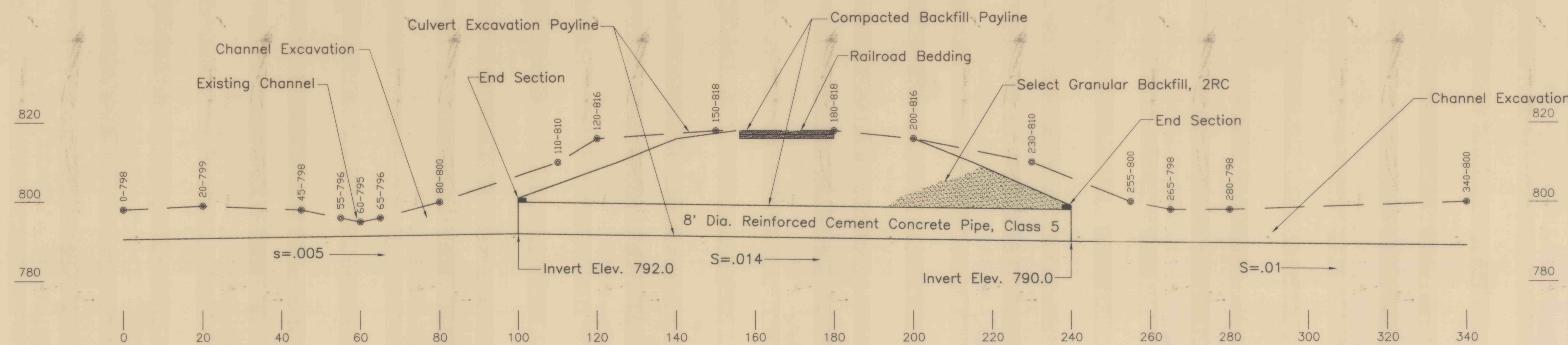
**TOP VIEW**



**SIDE VIEW**

**CONCRETE END SECTION**

(Not To Scale)



**PROFILE**

(Scale: 1 in. = 20 ft.)

NO.	DATE	REVISION	APPR.
SUBMITTED			
PROJECT DESIGNER, WILKES-BARRE			
APPROVED			
CHEF, DESIGN SECTION, WILKES-BARRE			
<b>VOID</b>			
COMMONWEALTH OF PENNSYLVANIA DEPARTMENT OF ENVIRONMENTAL PROTECTION			
CONTRACT NO OSM 35(2080)102.1			
STREAM CHANNEL REHABILITATION STERRY CREEK SOUTH JESSUP BOROUGH LACKAWANNA COUNTY, PENNSYLVANIA			
<b>TYPICAL SECTIONS &amp; PROFILE</b>			
DRAWN BY	DATE	DRAWING NO.	
G.P.F.	OCT. 2, 1996	23 of 26	
CHECKED BY	SCALE		
	As Shown		

**VOID**

ALL DIMENSIONS AND EXISTING CONDITIONS SHALL BE CHECKED AND VERIFIED BY CONTRACTOR AT THE SITE.