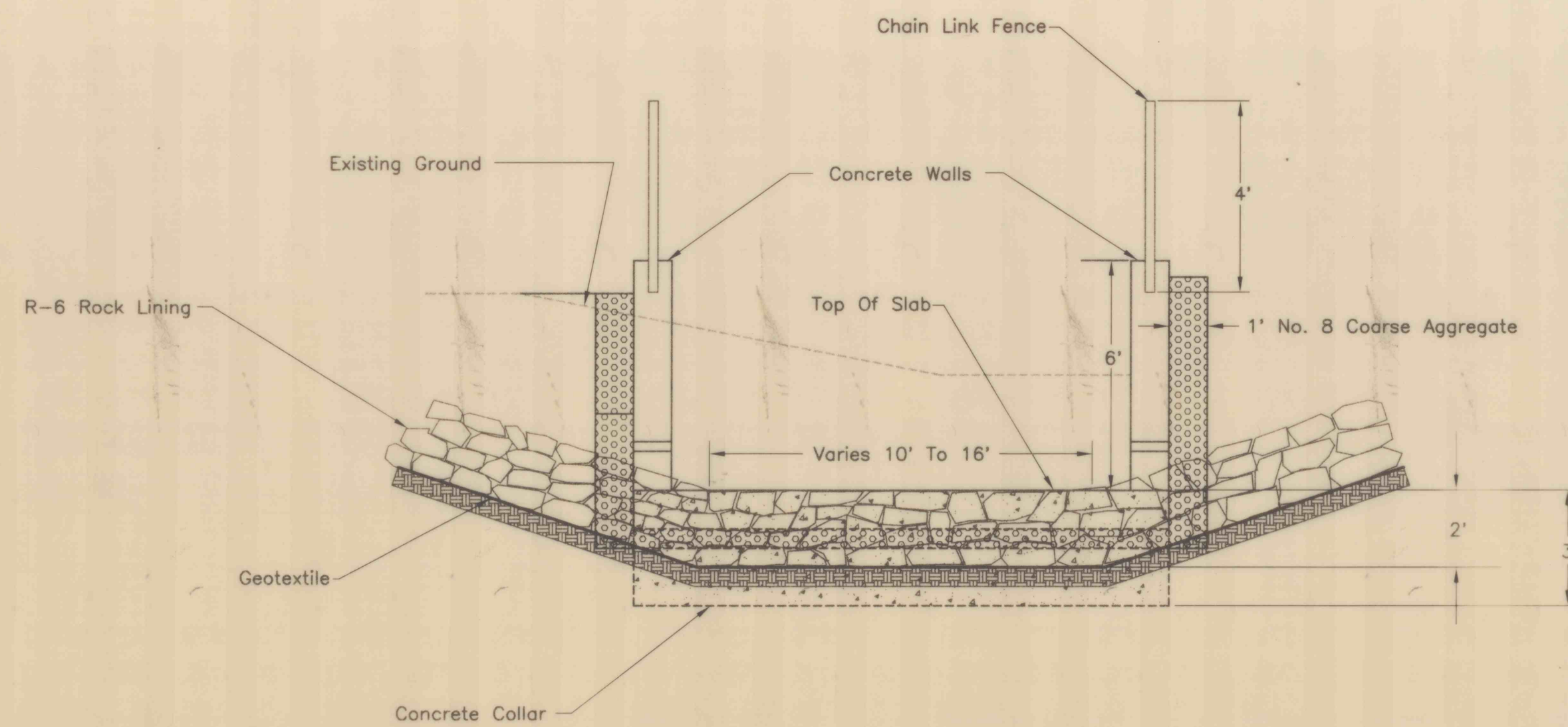


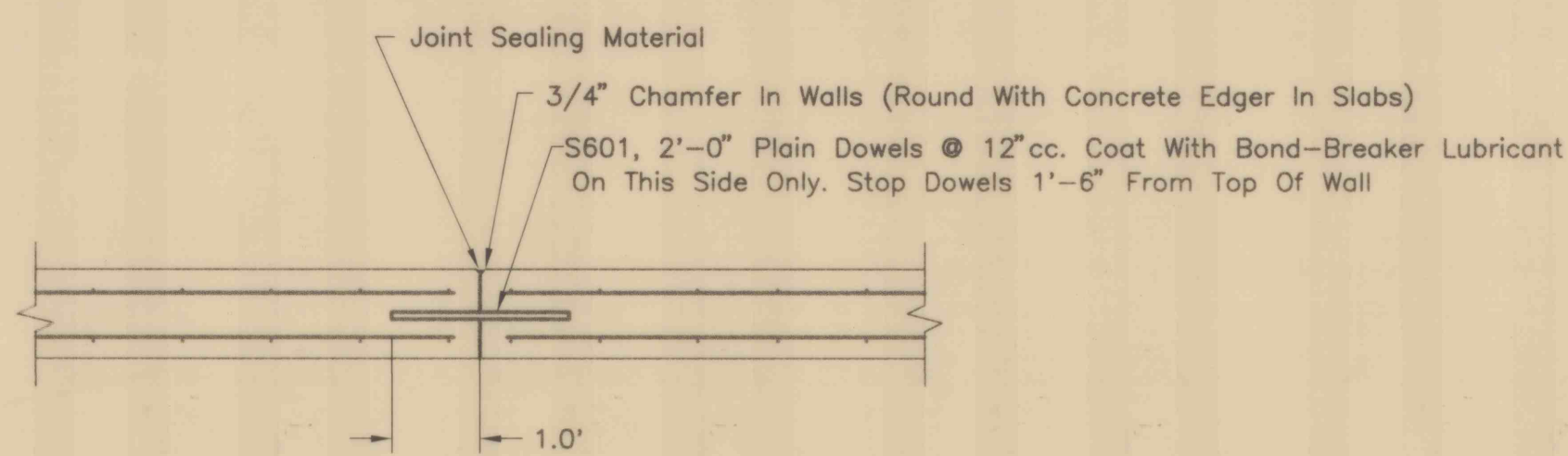
**CONCRETE U-CHANNEL
TYPICAL SECTION**

(Not To Scale)



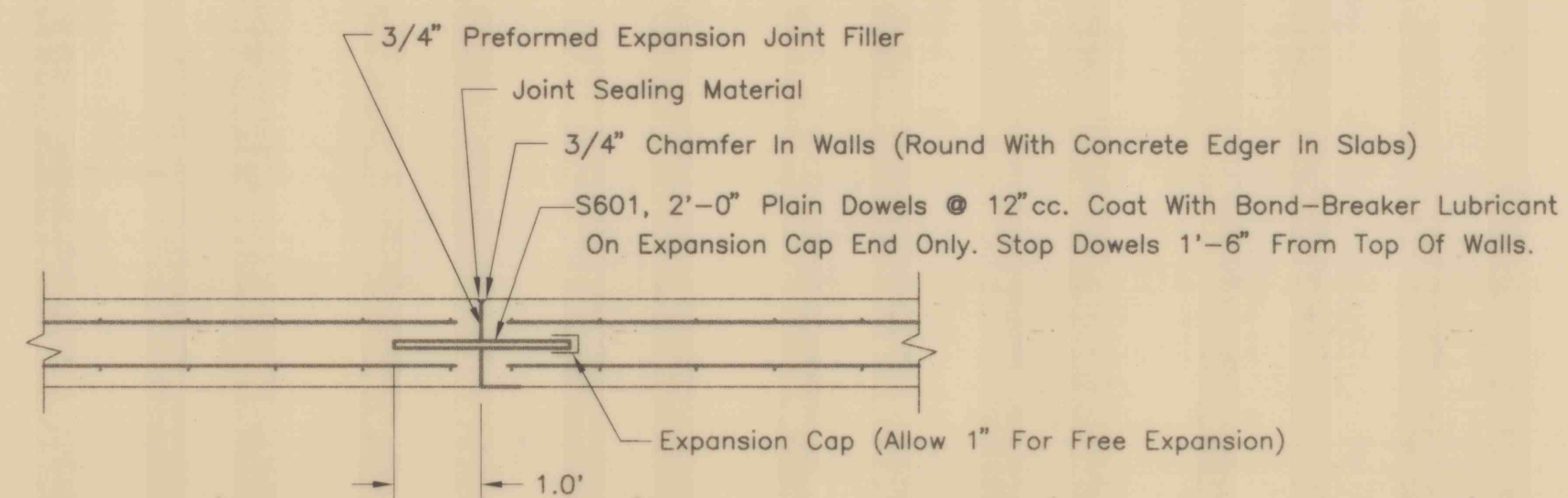
**TYPICAL SECTION-INVERT
CONCRETE U-CHANNEL & ROCK LINED CHANNEL**

(Not To Scale)



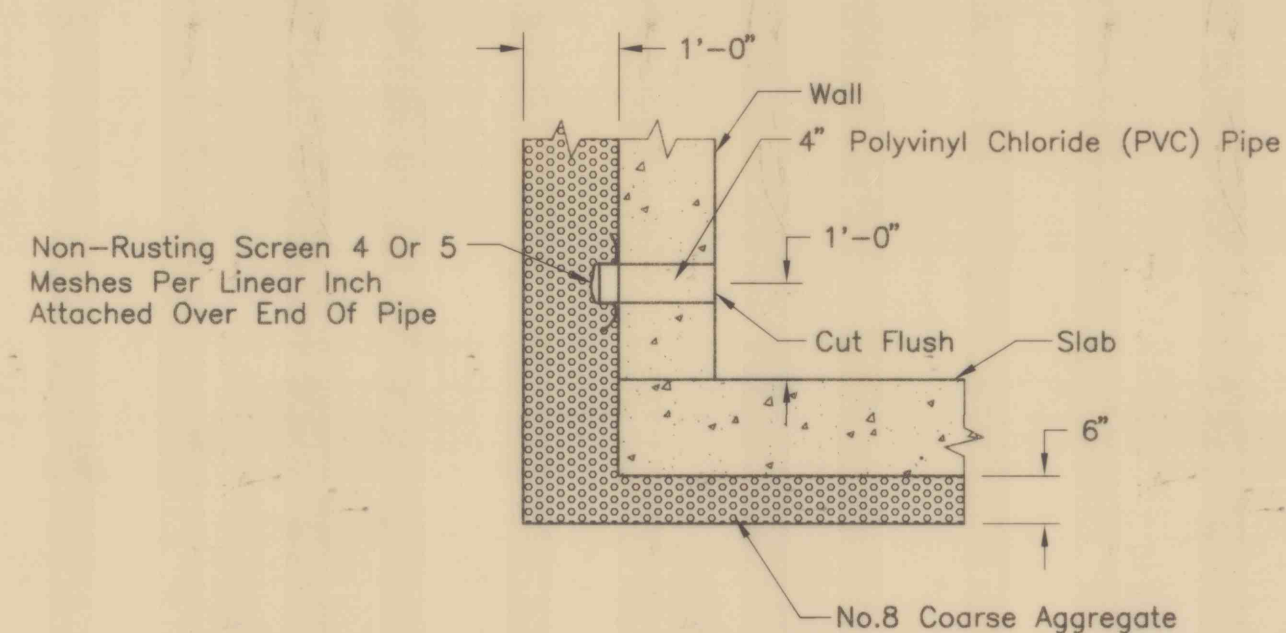
CONTRACTION JOINT

(Scale: 1" = 2')



EXPANSION JOINT

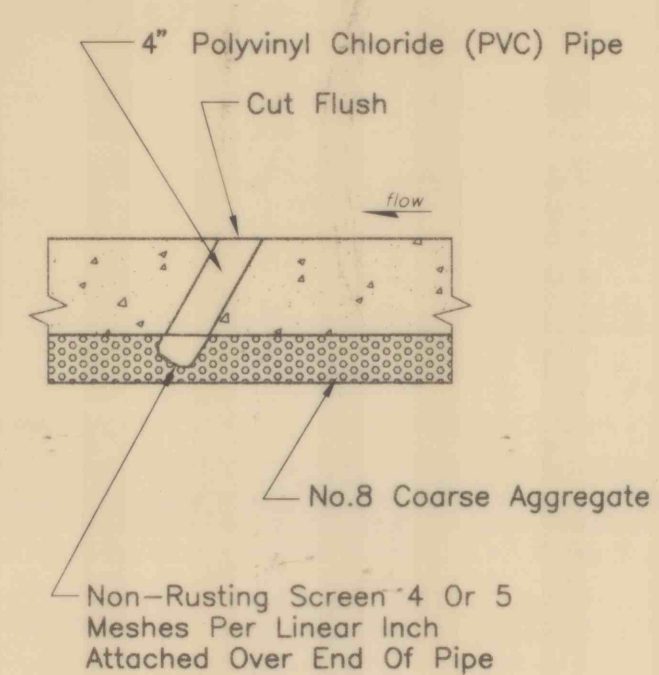
(Scale: 1" = 2')



**WEEPHOLE
TYPICAL SECTION**

(VERTICAL WALL)

Scale: 1" = 2'

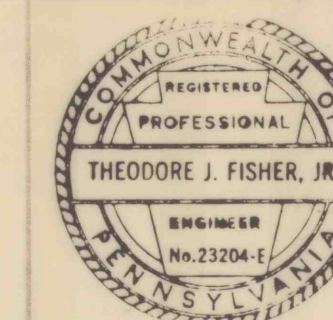


**WEEPHOLE
TYPICAL SECTION**

(SLAB)

(Scale: 1" = 2')

NO.	DATE	REVISION	APPR.
SUBMITTED			
PROJECT DESIGNER: WILKES-BARRE			
APPROVED			
CHIEF, DESIGN SECTION, WILKES-BARRE			



COMMONWEALTH OF PENNSYLVANIA
DEPARTMENT OF ENVIRONMENTAL PROTECTION

CONTRACT NO OSM 35(2080)102.1
STREAM CHANNEL REHABILITATION
STERRY CREEK SOUTH
JESSUP BOROUGH
LACKAWANNA COUNTY, PENNSYLVANIA

SECTIONS & DETAILS

DRAWN BY	DATE	DRAWING NO.
G.P.F.	OCT. 2, 1996	
CHECKED BY	SCALE	
	As Shown	22 of 26

ALL DIMENSIONS AND EXISTING CONDITIONS SHALL BE CHECKED AND VERIFIED BY CONTRACTOR AT THE SITE.