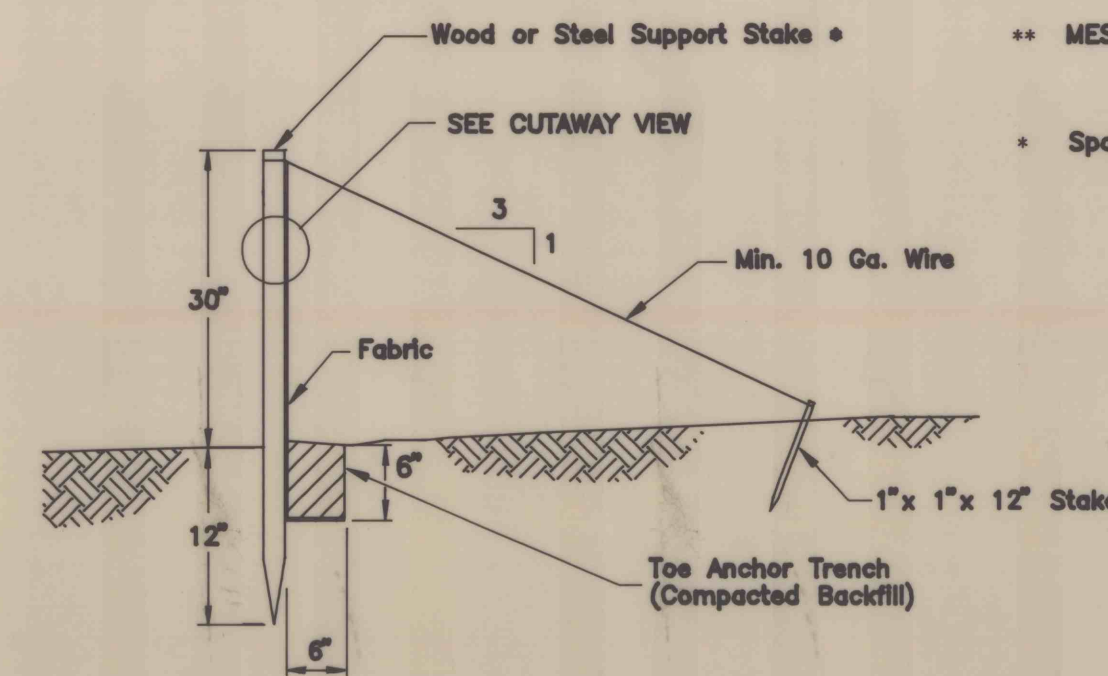
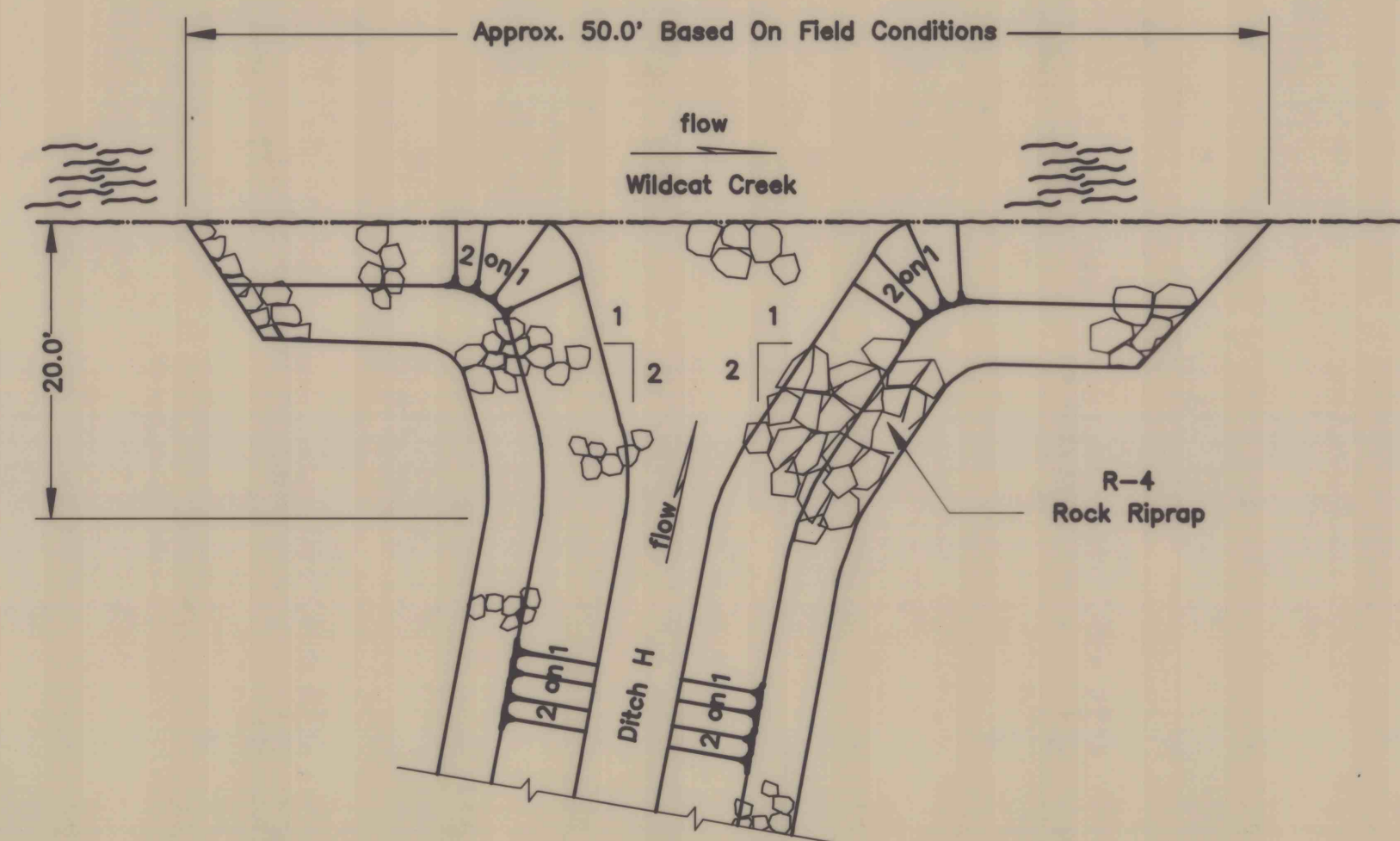
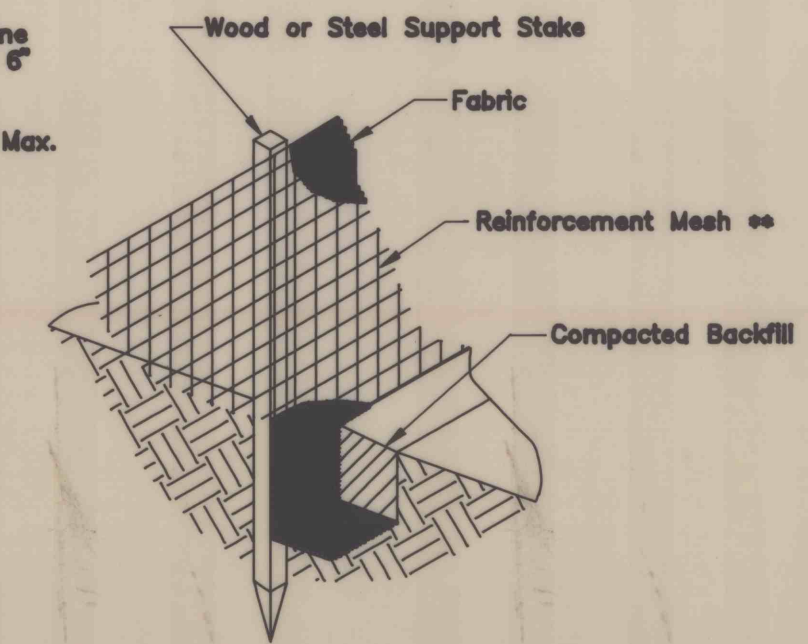


**CROSS SECTION  
TRAPEZOIDAL DITCH**  
(Not To Scale)

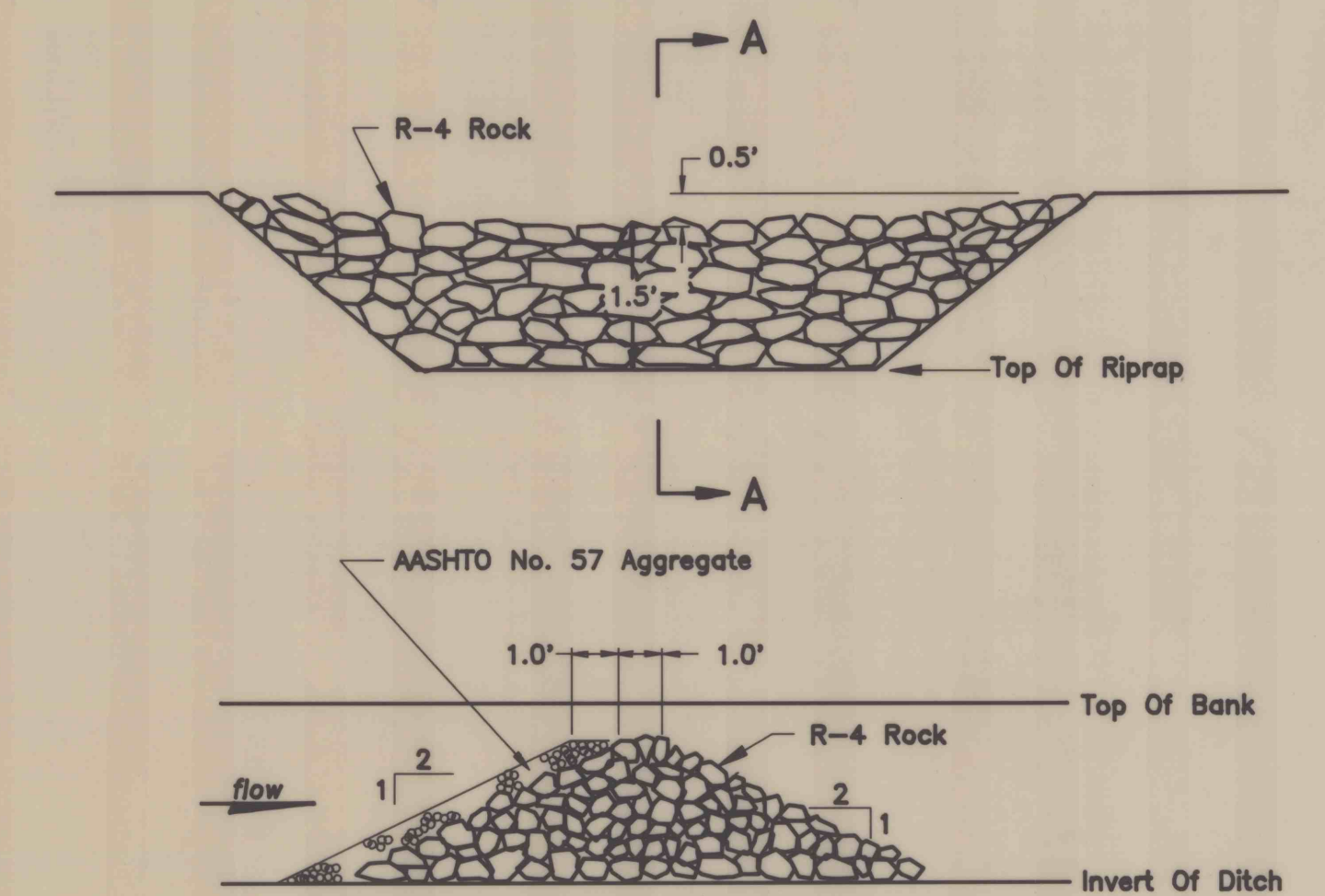
Ditch	a	b	c	d	Riprap
E	8.0'	3.0'	8.5'	1.0'	R-4 Rock
H	6.0'	2.0'	6.5'	1.0'	R-4 Rock
J	4.0'	2.0'	4.5'	1.0'	R-4 Rock
K	4.0'	2.0'	4.5'	1.0'	R-4 Rock



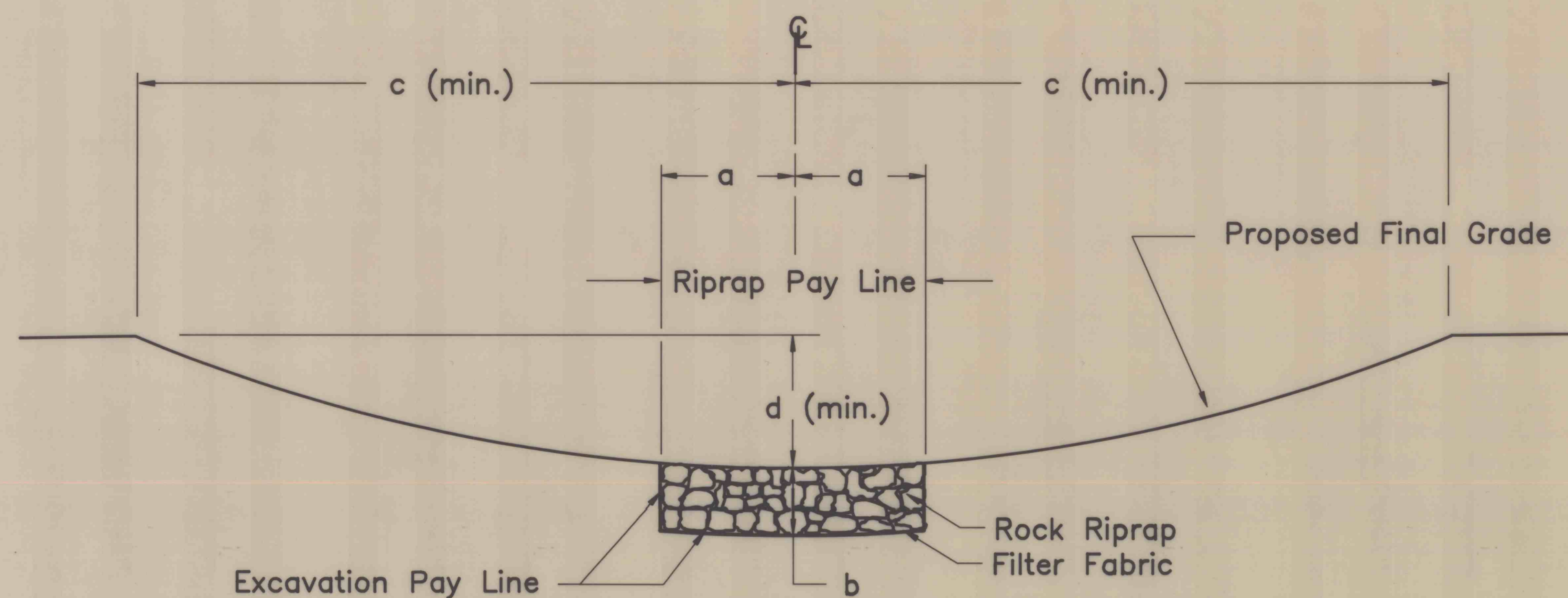
**DETAILS FILTER FABRIC FENCE**  
(NOT TO SCALE)



**OUTFALL CHANNEL DETAIL**  
(Not To Scale)

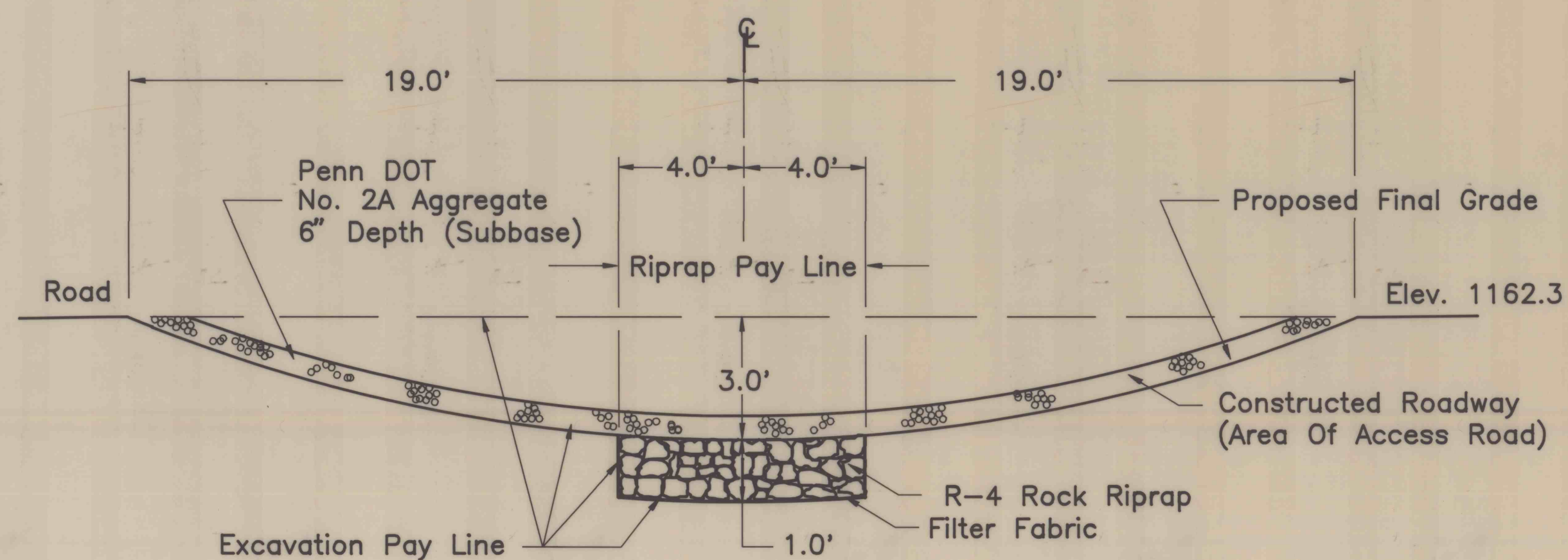


**SECTION A-A  
DITCH CROSS SECTION  
AT ROCK CHECK DAM (DITCH H)**  
(Not To Scale)

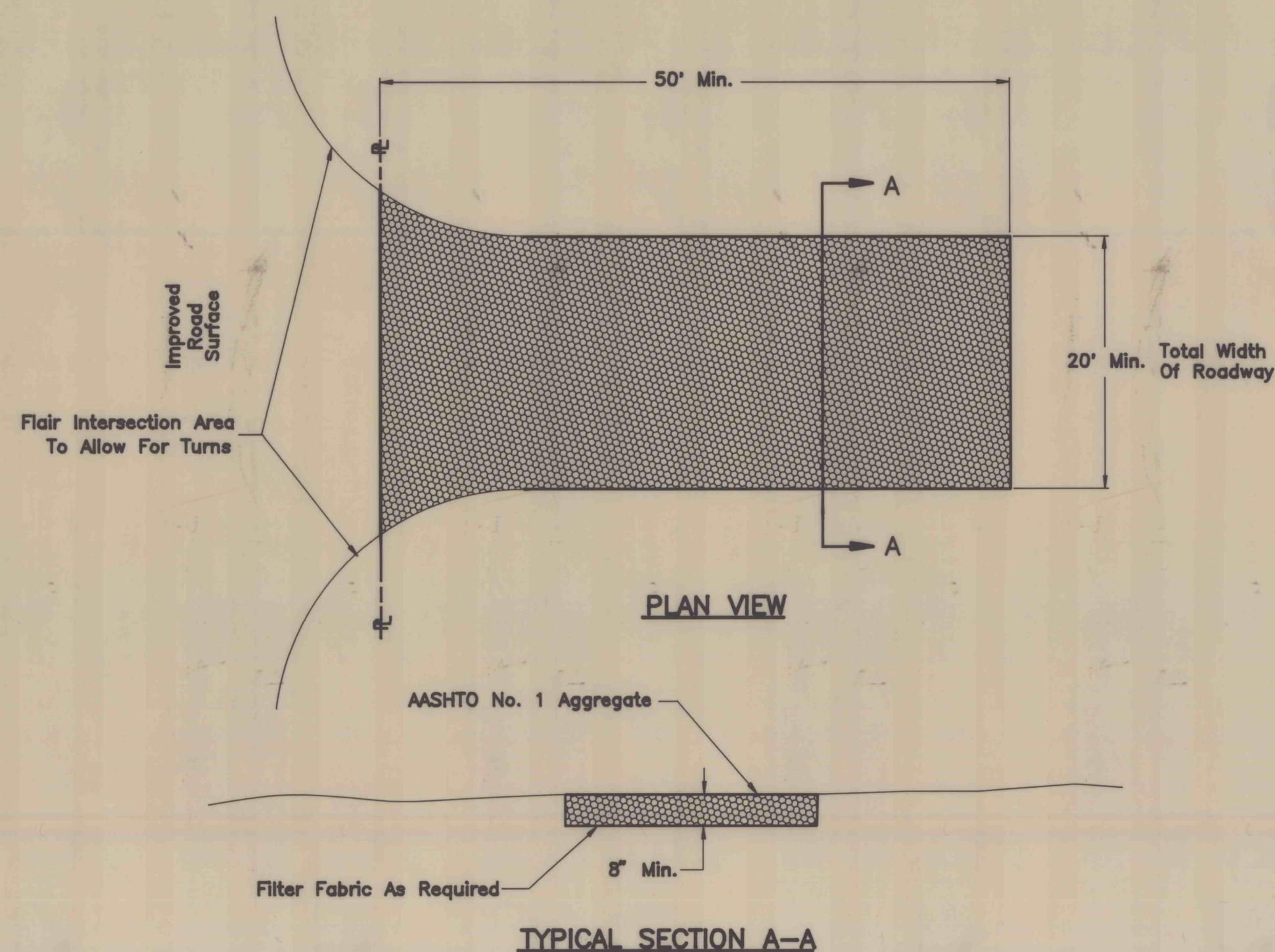


**PARABOLIC DITCH CROSS SECTION**  
(NOT TO SCALE)

Ditch	a	b	c	d	Riprap
A	2.0'	1.0'	10.0'	2.0'	R-4 Rock
B	1.5'	1.0'	8.0'	2.0'	R-4 Rock
C	2.5'	1.5'	12.0'	3.0'	R-5 Rock
D	2.5'	1.5'	10.0'	2.0'	R-5 Rock
G	1.5'	1.0'	16.0'	2.0'	R-4 Rock
I	1.5'	1.0'	6.0'	2.0'	R-4 Rock



**DITCH F & ROADWAY CROSS SECTION**  
(NOT TO SCALE)



**DETAIL ROCK CONSTRUCTION ENTRANCE**  
(Not To Scale)

NO.	DATE	REVISION	APPR.
SUBMITTED <i>Dennis M. Palladino</i>			
PROJECT DESIGNER, WILKES-BARRIE			
APPROVED <i>Charles J. Blake</i>			
CHIEF, DESIGN SECTION, WILKES-BARRIE			
COMMONWEALTH OF PENNSYLVANIA DEPARTMENT OF ENVIRONMENTAL PROTECTION			
CONTRACT NO. OSM 35(3752)201.1			
BACKFILLING STRIP PITS NORTH EYNON ARCHBALD BOROUGH LACKAWANNA COUNTY, PENNSYLVANIA			
CROSS SECTIONS AND DETAILS			
DESIGNED BY <i>D.S.D.</i>	DATE Dec. 19, 1995	DRAWING NO. 8 of 10	
CHECKED BY <i>UJO</i>	SCALE Not To Scale		

ALL DIMENSIONS AND EXISTING CONDITIONS SHALL BE CHECKED AND VERIFIED BY CONTRACTOR AT THE SITE.