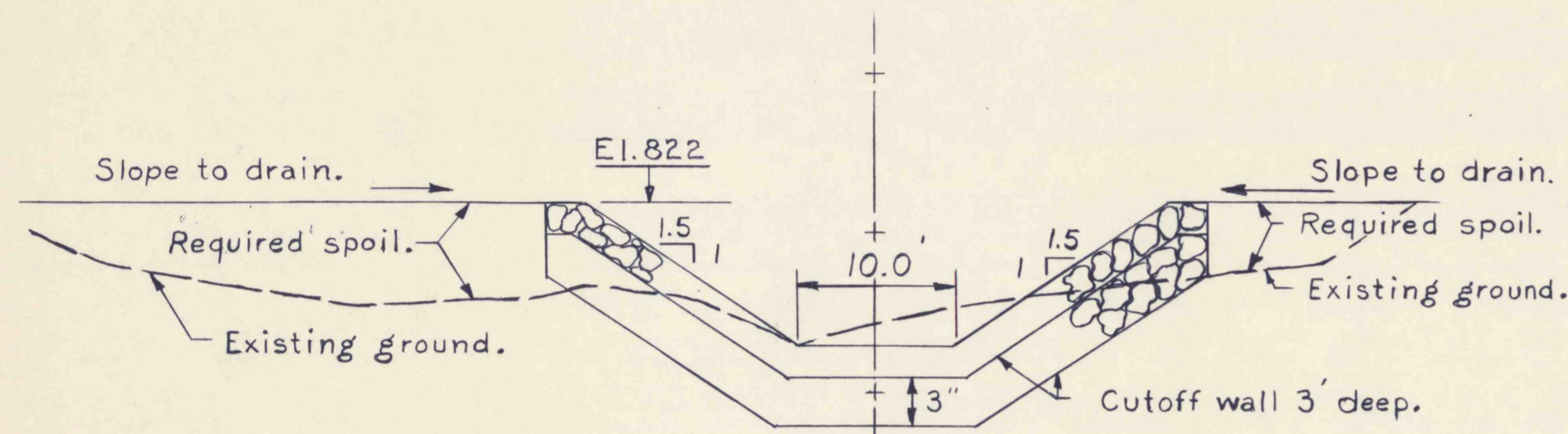


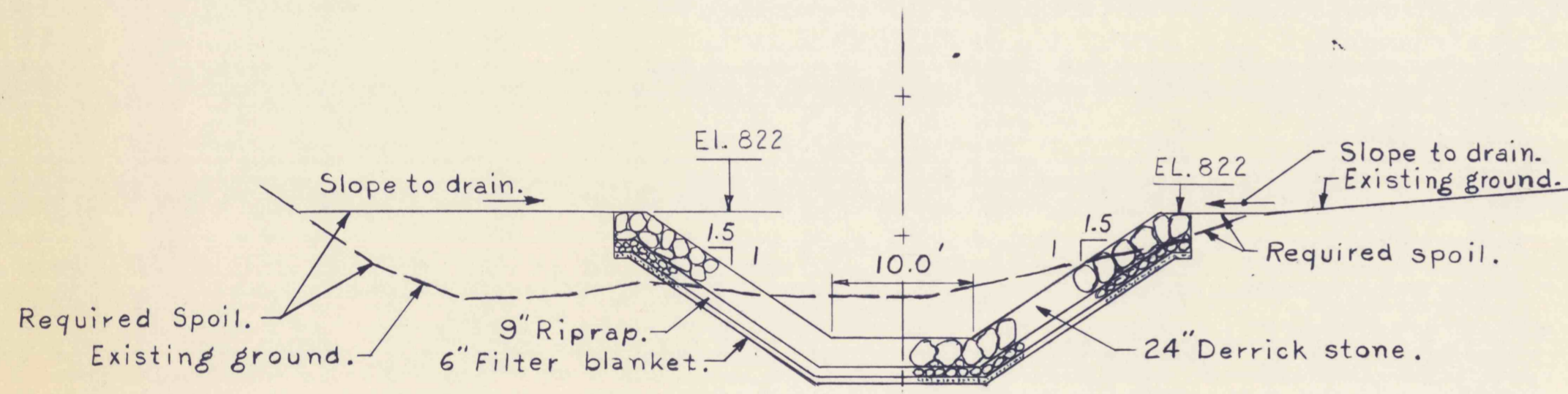
SECTION G-G

Typical section downstream of stilling basin outlet.

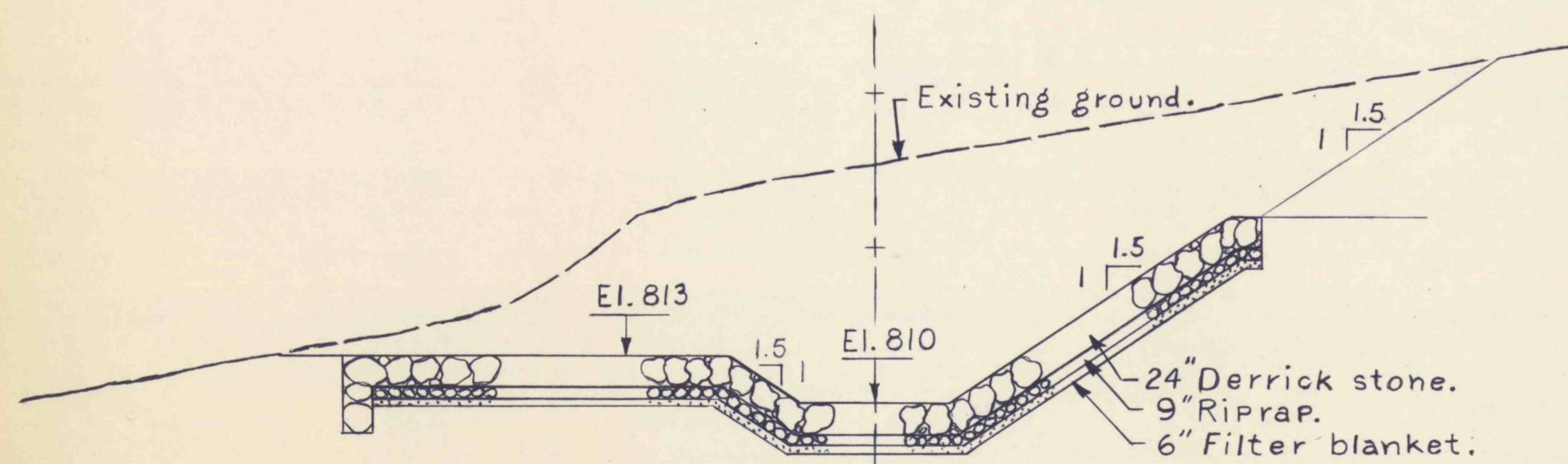
Note: Bottom width varies due to warping the channel to tie into the existing downstream channel. All disturbed earth and required spoil should be protected with 18" riprap.



SECTION F-F



SECTION E-E



SECTION D-D

NO.	DATE	REVISION	APPR.
10-27-78		As-Built	
SUBMITTED			
APPROVED			
APPROVED			
COMMONWEALTH OF PENNSYLVANIA DEPARTMENT OF ENVIRONMENTAL RESOURCES OFFICE OF RESOURCES MANAGEMENT			
PROJECT NO. G40:5-101.1			
DRAINAGE IMPROVEMENTS TO LARKSVILLE FLUME			
LUZERNE CO. PENNSYLVANIA			
SKETCH NO. 2			
DRAWN BY	DATE	DRAWING NO.	
CHECKED BY	SCALE	S-2	