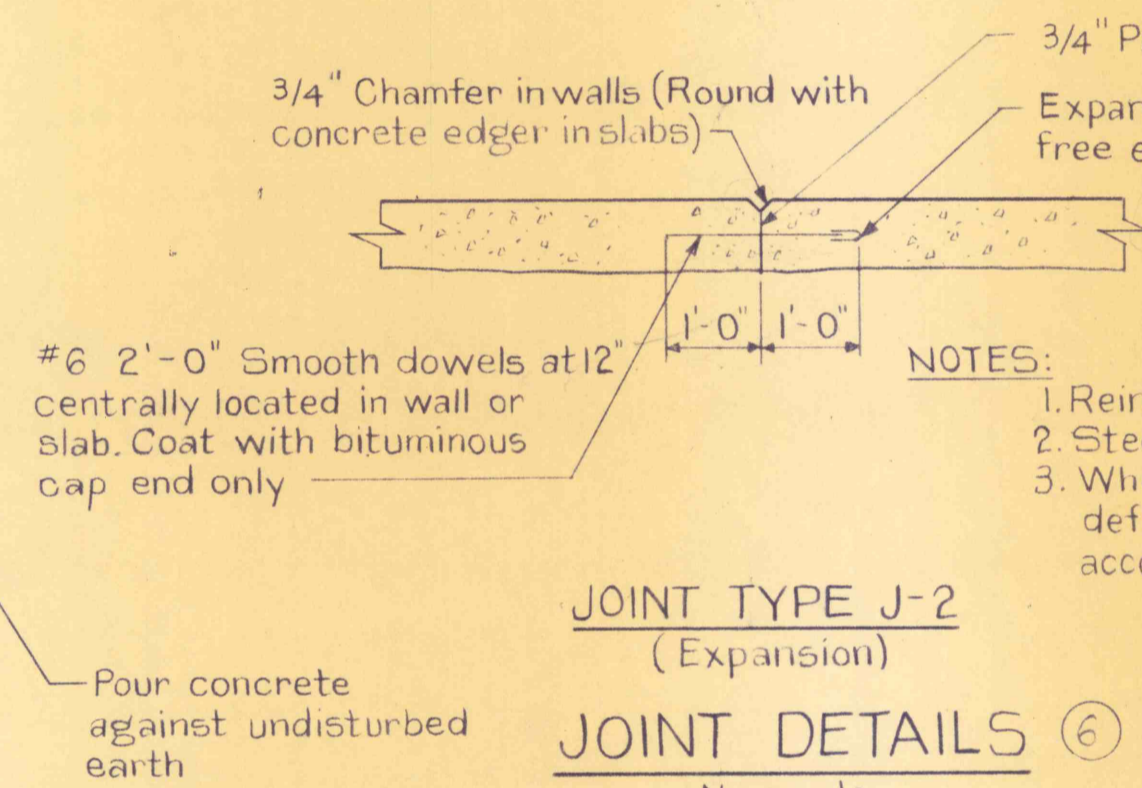
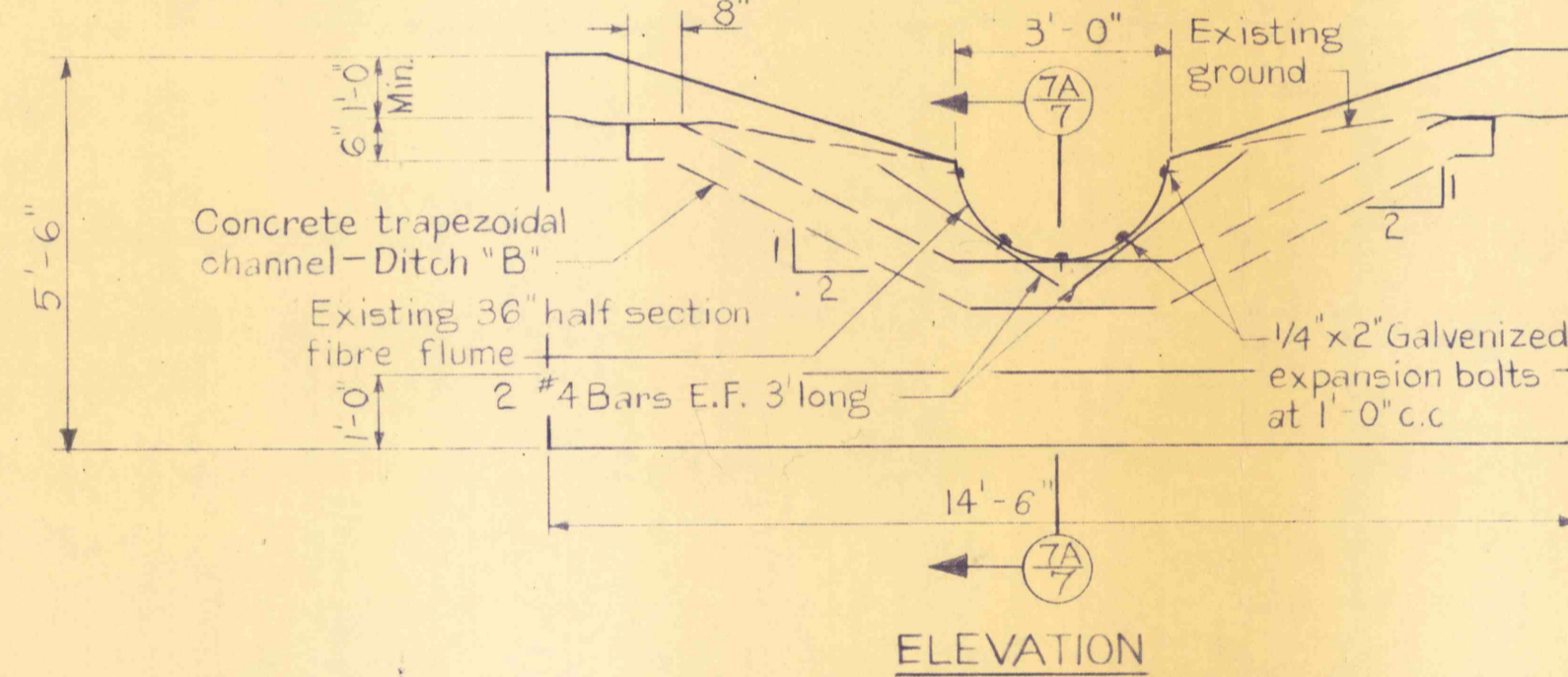
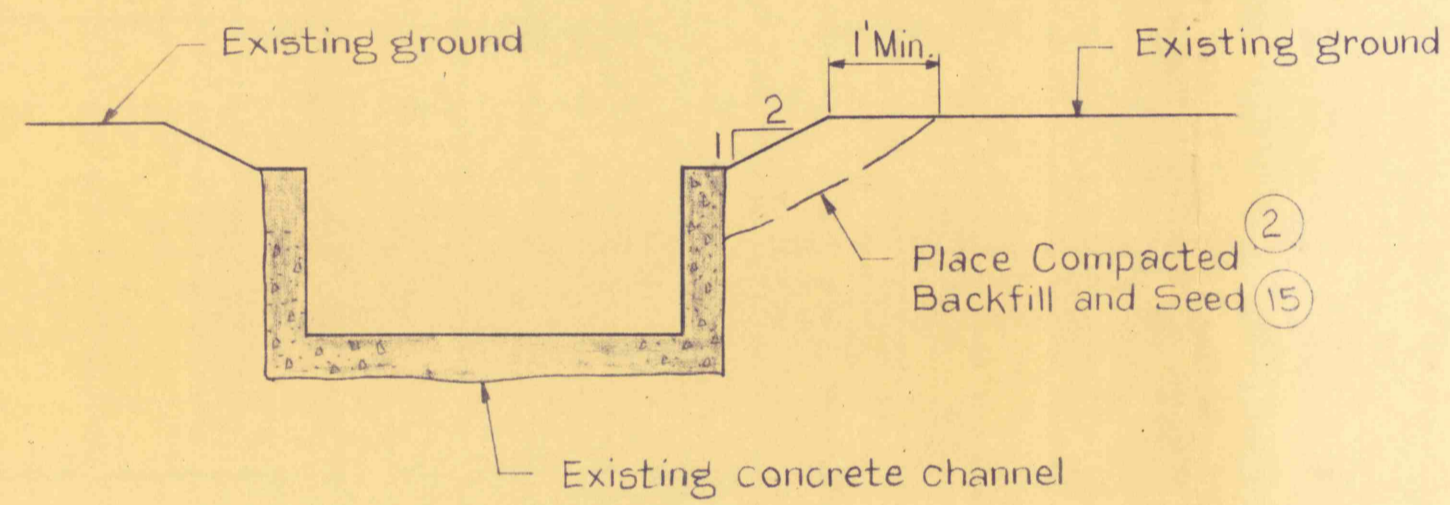


CONCRETE NOTES:

1. Chamfer all exposed edges, horizontal and vertical joints in walls 3/4"
2. All steel reinforcement is 2" clear (edge of steel to surface of concrete) unless otherwise noted.
3. < No. Denotes concrete finish. See Specifications
4. J-1 (Contraction joint); J-2 (Expansion joint)
5. All reinforcing bars shall be lapped 30 diameters.
6. All reinforcing steel is paid for under item (7)



NOTES:

1. Reinforcement steel is not shown.
2. Steel shall end 2" from the joints.
3. Where required steel shall be deflected at joints so as to accommodate the dowels.

REFERENCES:

1. Plan and Profile - Dwg. No. 4 and 5
2. Cross Sections - Dwg. No. 6

PRE FINAL

NO.	DATE	REVISION	APPR.

SUBMITTED	PROJECT CO-ORDINATOR
APPROVED	CHIEF - DIVISION OF MINE RECLAMATION
APPROVED	DIRECTOR - BUREAU OF DESIGN

COMMONWEALTH OF PENNSYLVANIA
 DEPARTMENT OF ENVIRONMENTAL RESOURCES
 OFFICE OF RESOURCES MANAGEMENT

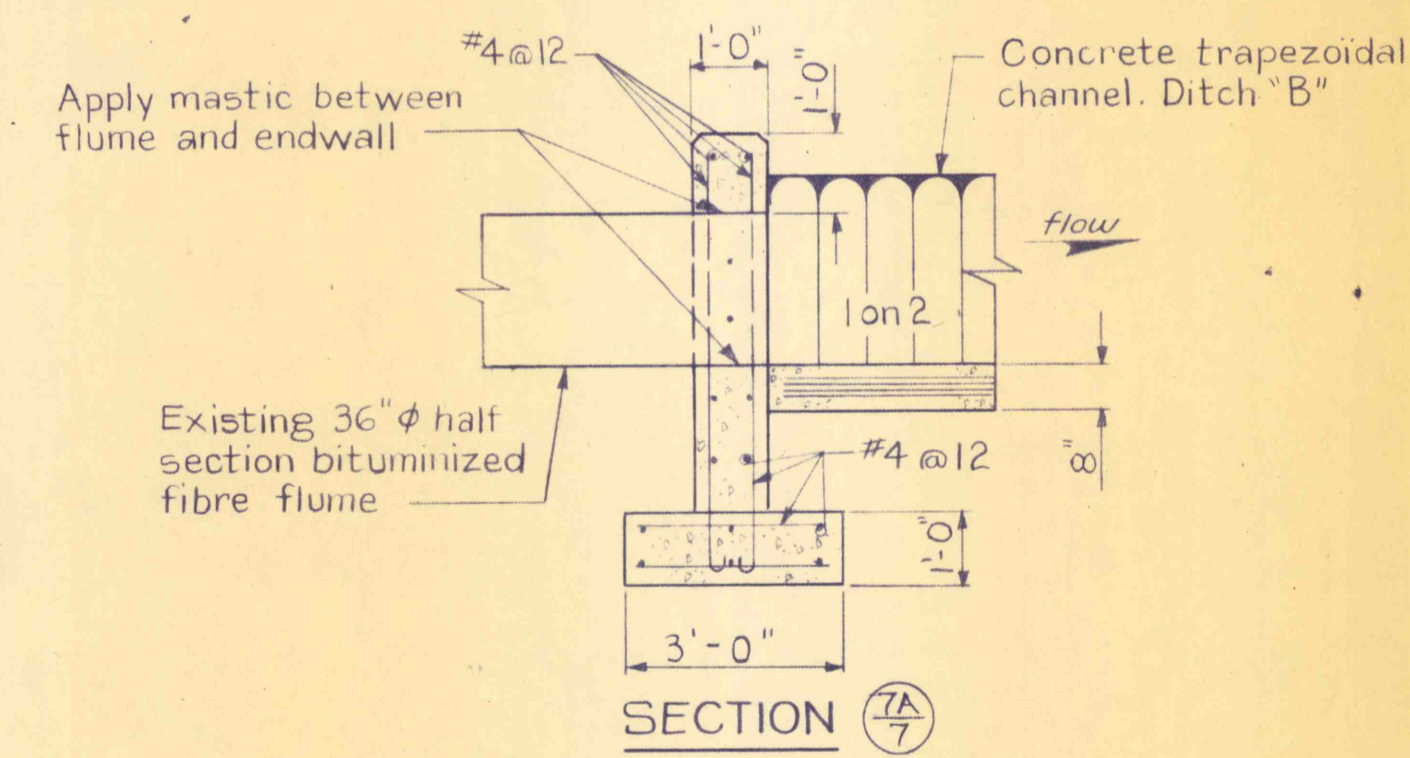
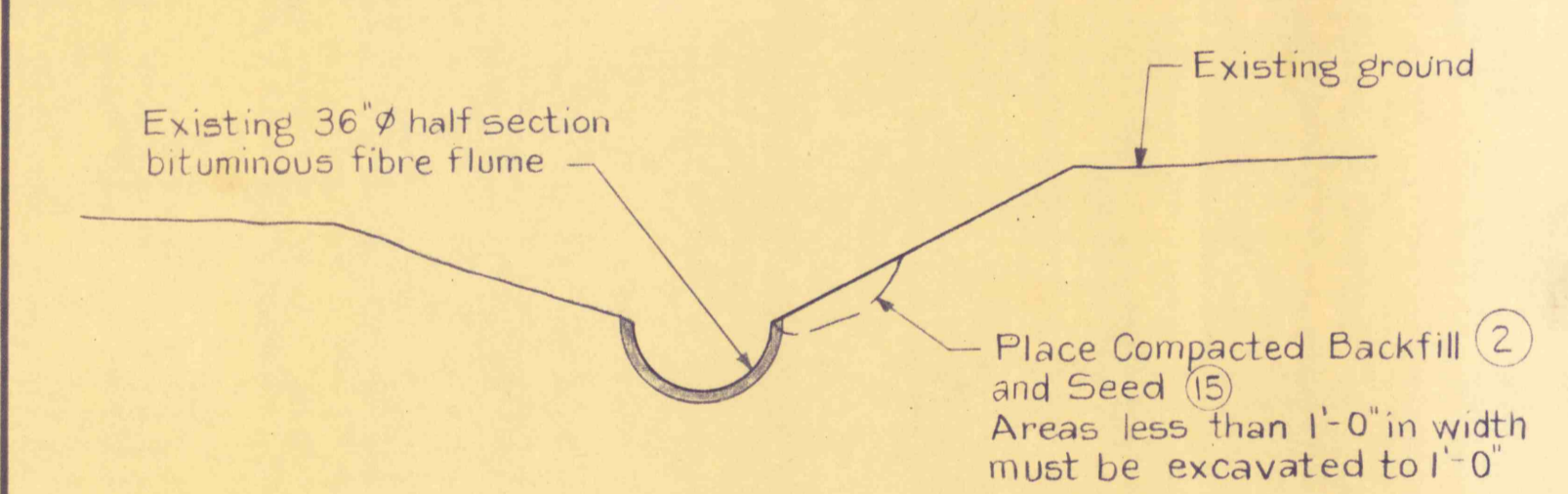
CONTRACT NO. SL 113-2-3

**MINE DRAINAGE POLLUTION ABATEMENT
 REMEDIAL WORK
 SHAMOKIN CREEK WATERSHED**

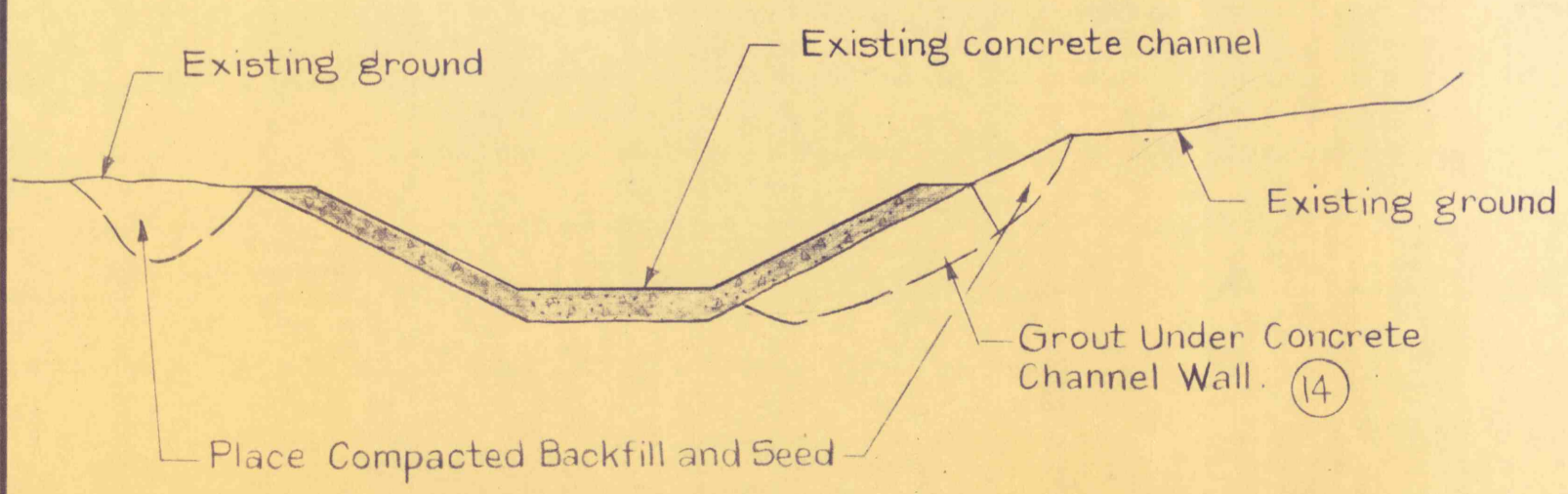
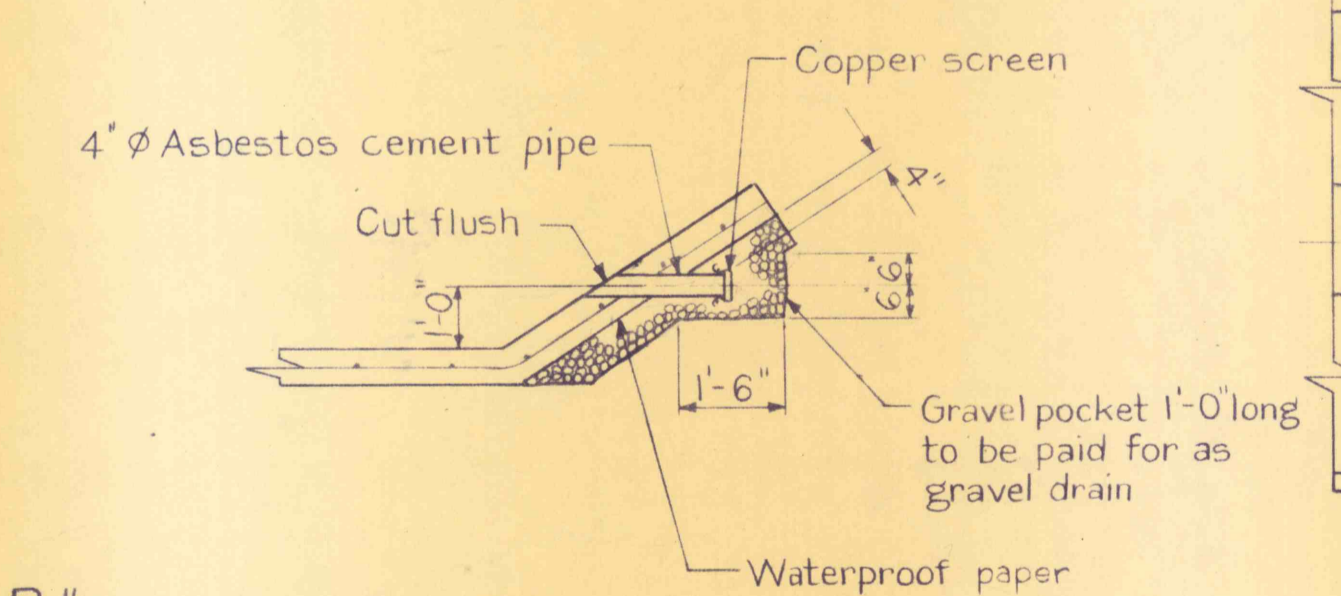
NORTHUMBERLAND CO. PENNSYLVANIA

DETAILS

DRAWN BY Mandy	DATE	DRAWING NO.
CHECKED BY	SCALE As shown	7 of 7



CONCRETE INLET ENDWALL - DITCH "B"



REMEDIAL WORK - TYPICAL DETAILS

No Scale

Note: Shading denotes existing structures.

NOTE: Slab steel is not shown.

