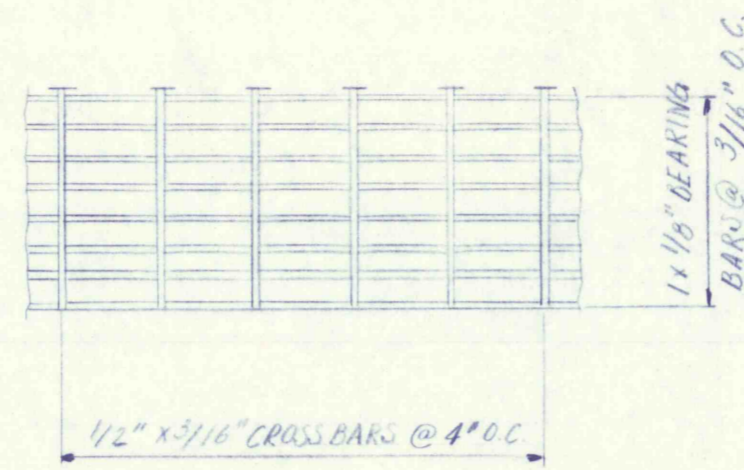
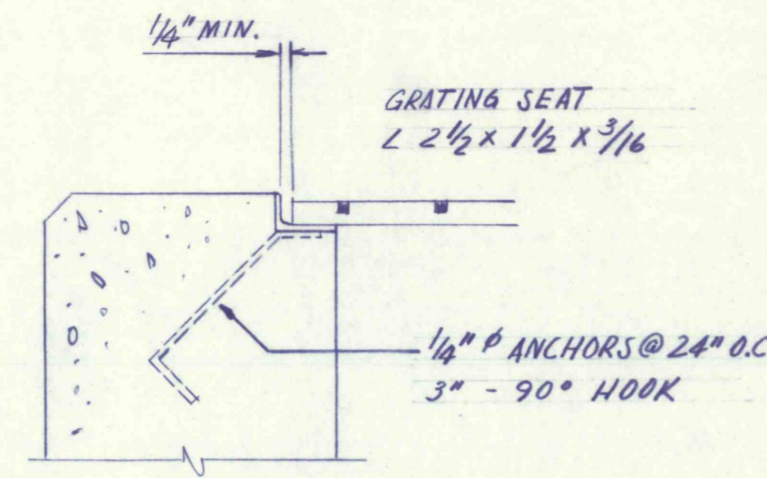


ATTACH GRATE ANGLE TO SUPPORT FRAME WITH MANUFACTURERS RECOMMENDED FASTENERS.



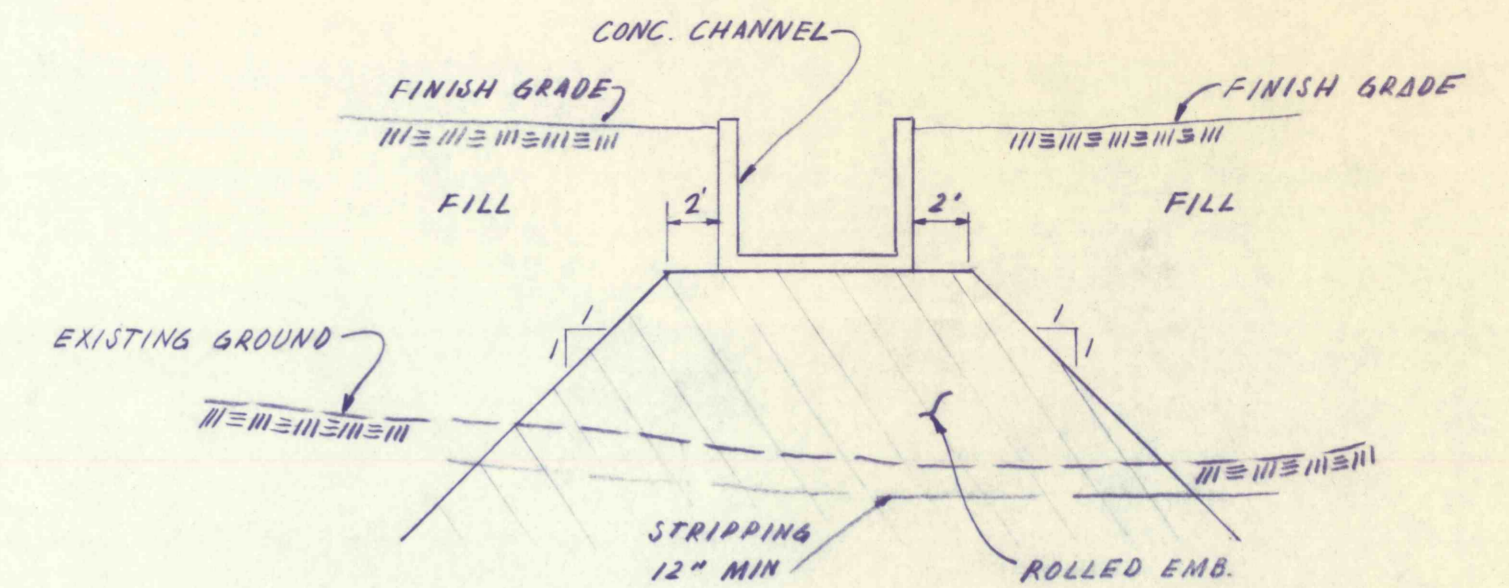
GRATING DETAIL

SCALE 1/2" = 1 FT.



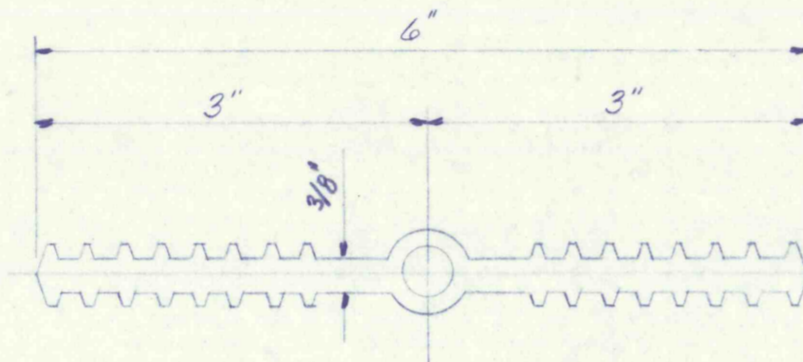
GRATING ANCHOR

SCALE 1/2" = 1 FT.



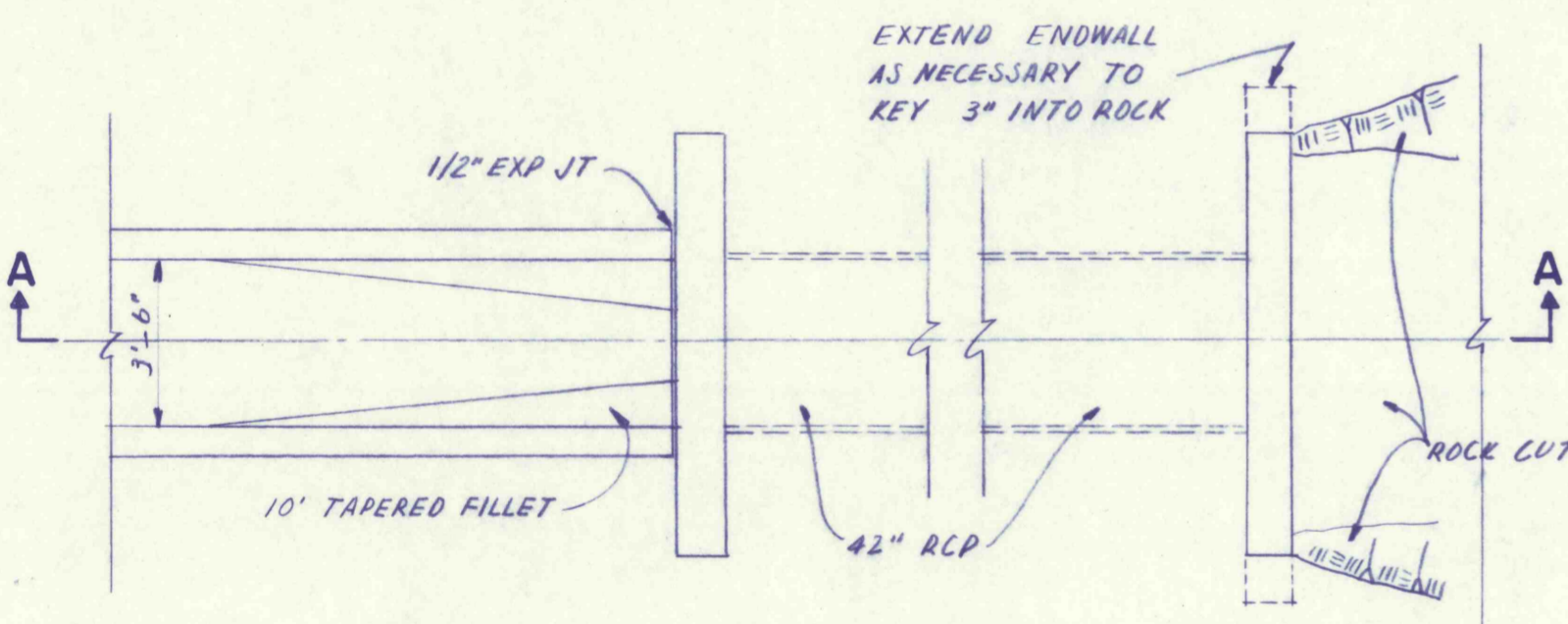
ROLLED EMBANKMENT DETAIL

NOT TO SCALE

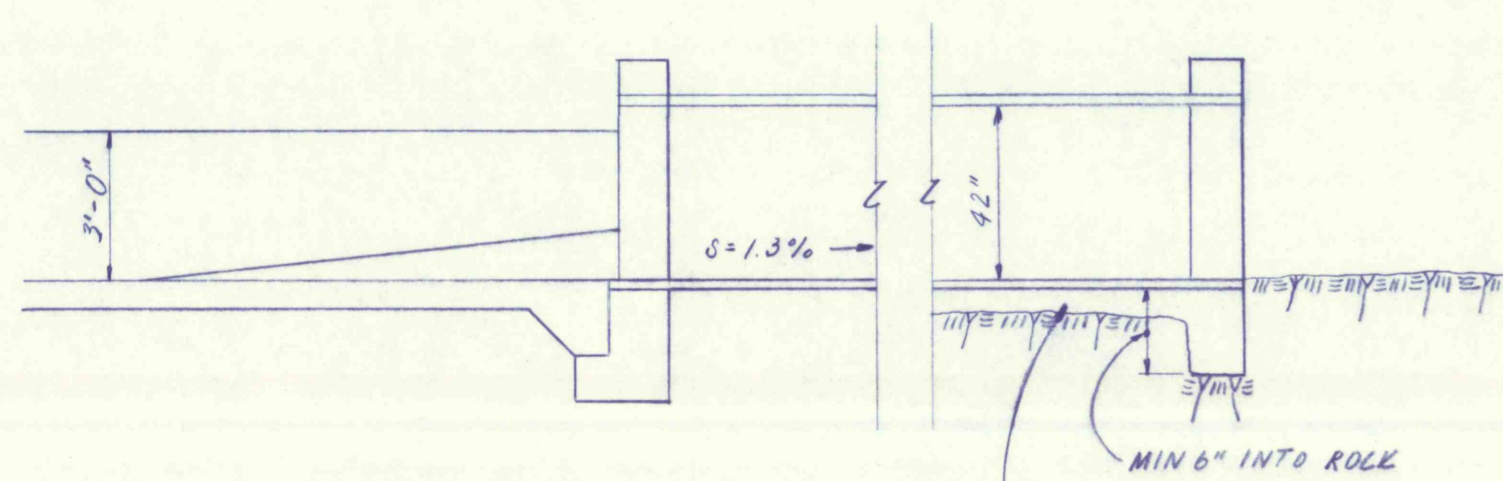


P.V.C. WATER STOP

NOT TO SCALE



PLAN

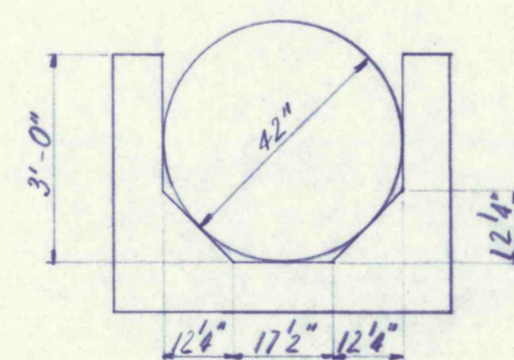


SECTION A-A

SEE PIPE BEDDING DETAIL THIS SHEET.

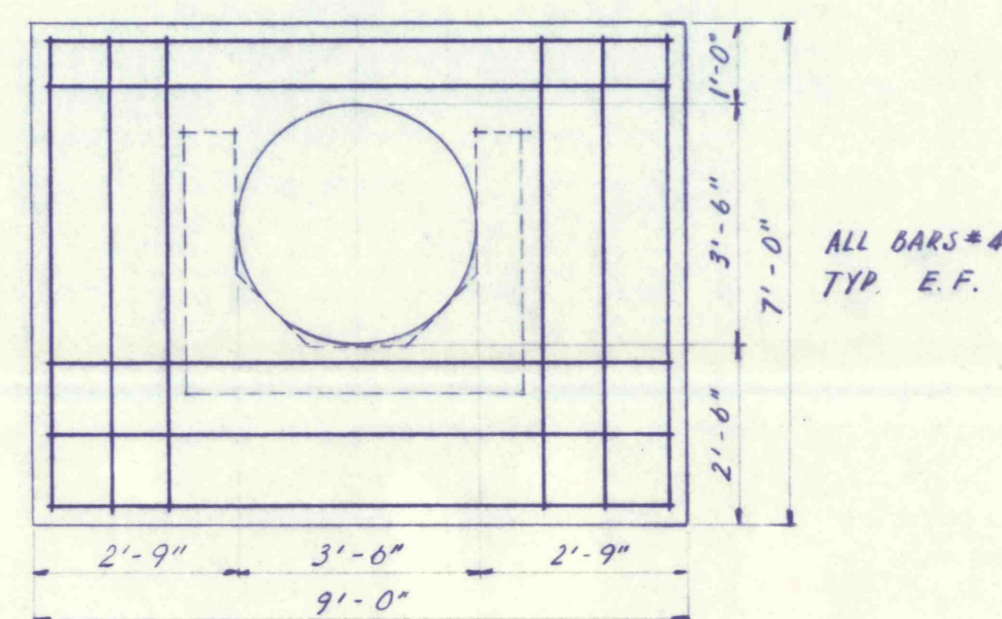
STATION 42+60 HAUL ROAD PIPE

SCALE 1/4" = 1 FT.



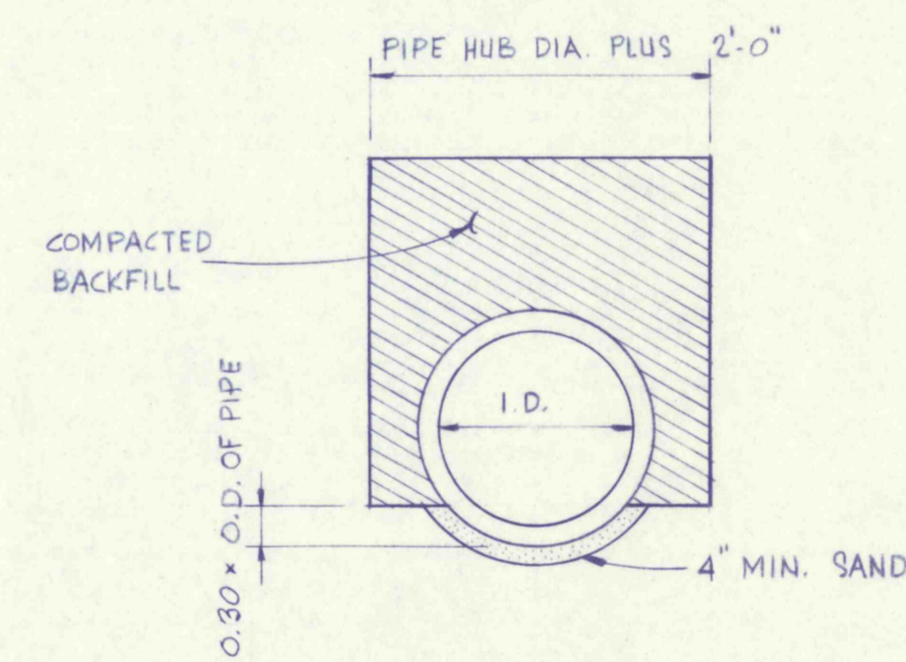
FILLET DIMENSIONS AT END WALL

NOT TO SCALE

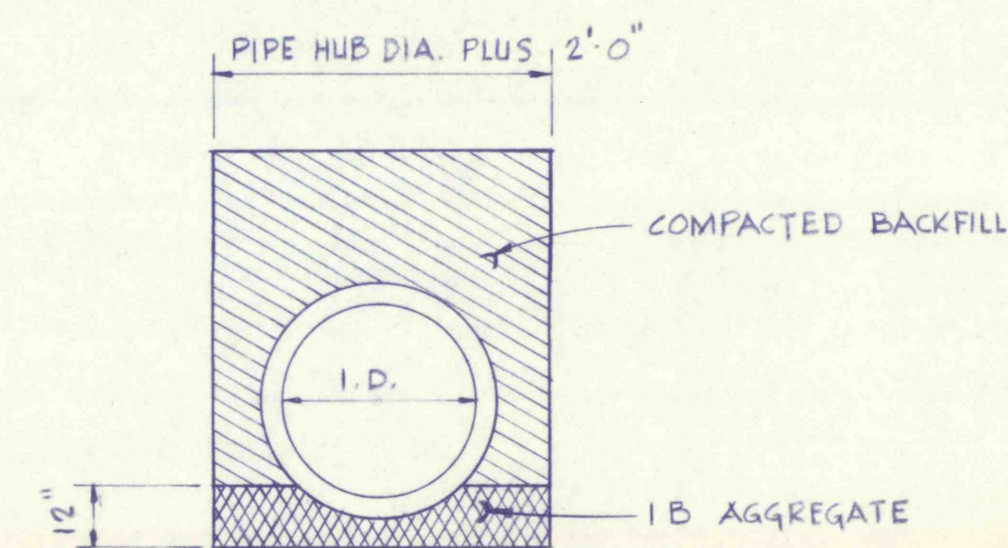


END WALL REINFORCEMENT

SCALE 3/8" = 1 FT.



CLASS B



TRENCH THRU ROCK OR HARD SHALE

PIPE BEDDING DETAILS

NOT TO SCALE

NO.	DATE	REVISION	APPR.
SUBMITTED			
PROFESSIONAL			
APPROVED			
CHIEF - DIVISION OF MINE RECLAMATION			
APPROVED			
DIRECTOR - BUREAU OF DESIGN			
FINAL			
S.J.M. 111. 28 1977			
COMMONWEALTH OF PENNSYLVANIA DEPARTMENT OF ENVIRONMENTAL RESOURCES OFFICE OF RESOURCES MANAGEMENT			
CONTRACT NO. SL 181-3-101.1			
SUGAR NOTCH RUN AMD ABATEMENT PROJECT WARRIOR CREEK AND SOLOMON CREEK WATERSHEDS			
GEO - Technical Services CONSULTING ENGINEERS & GEOLOGISTS 851 So. 19th St. HARRISBURG, PENNA.			
MISCELLANEOUS DETAILS			
DRAWN BY L. E. B.	DATE MAY 1977	DRAWING NO.	
CHECKED BY S. J. M.	SCALE As Shown	30 of 40	