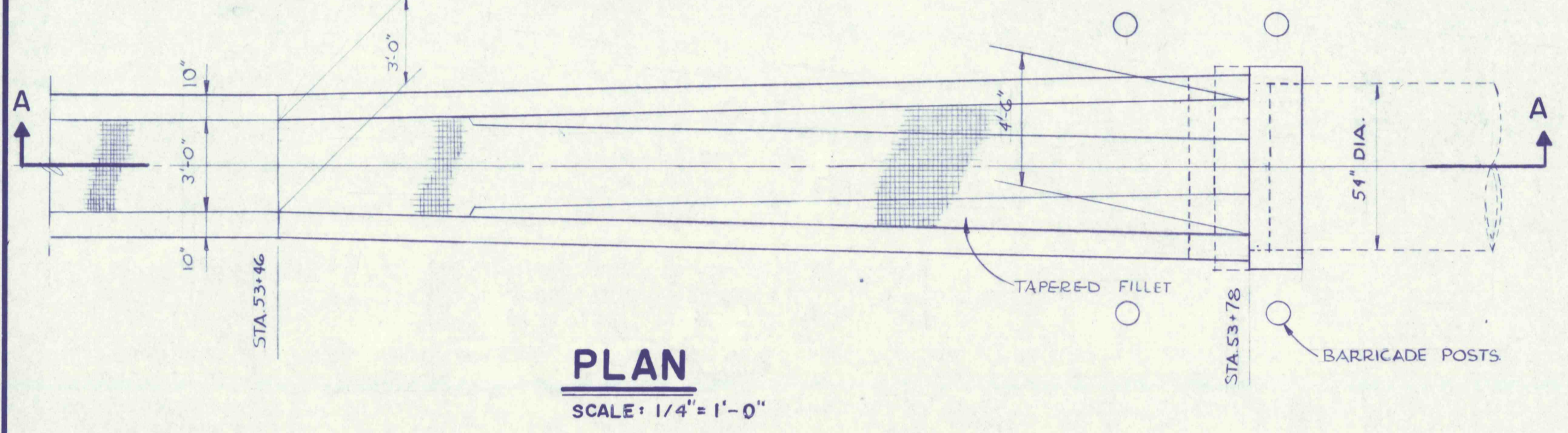
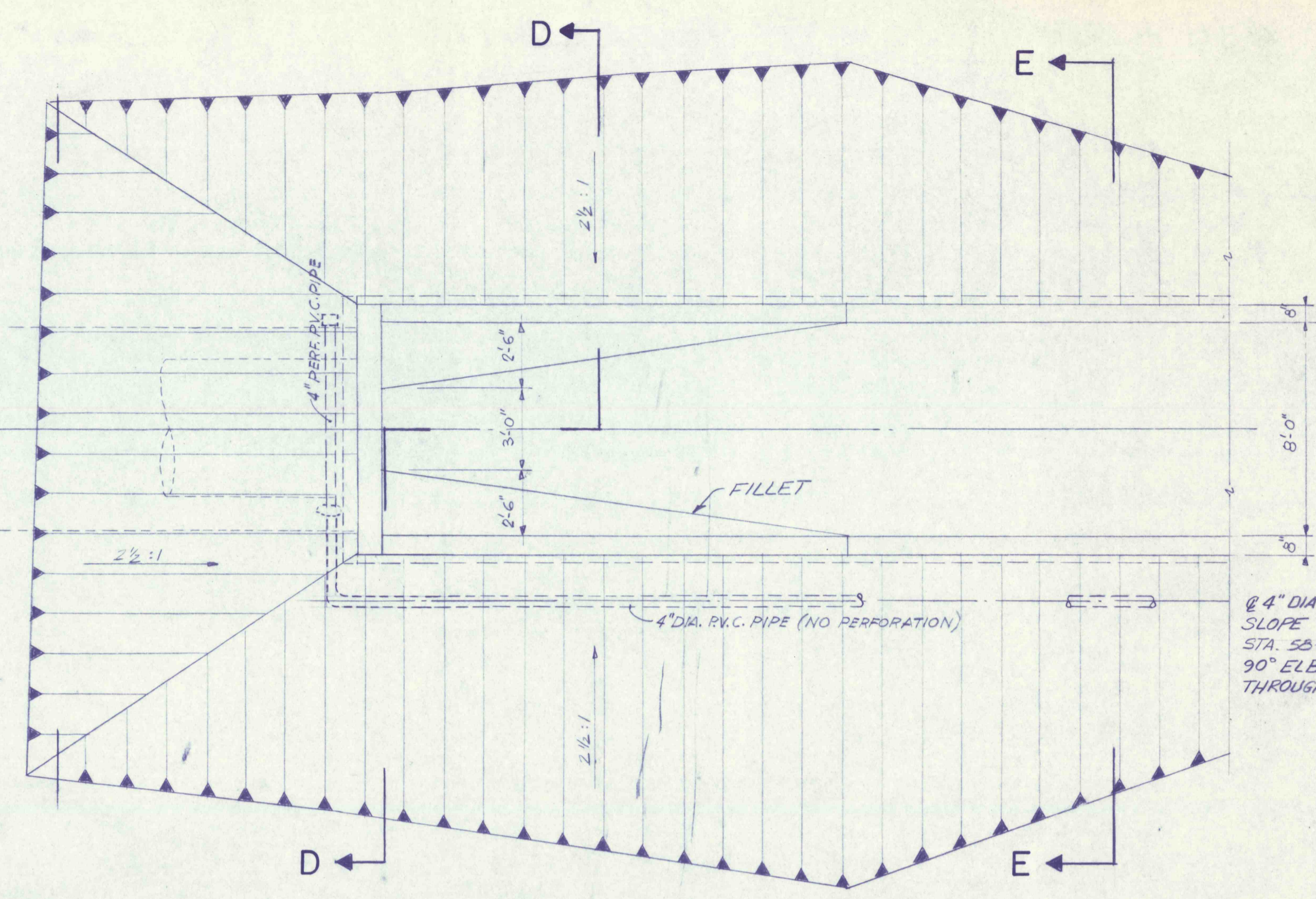


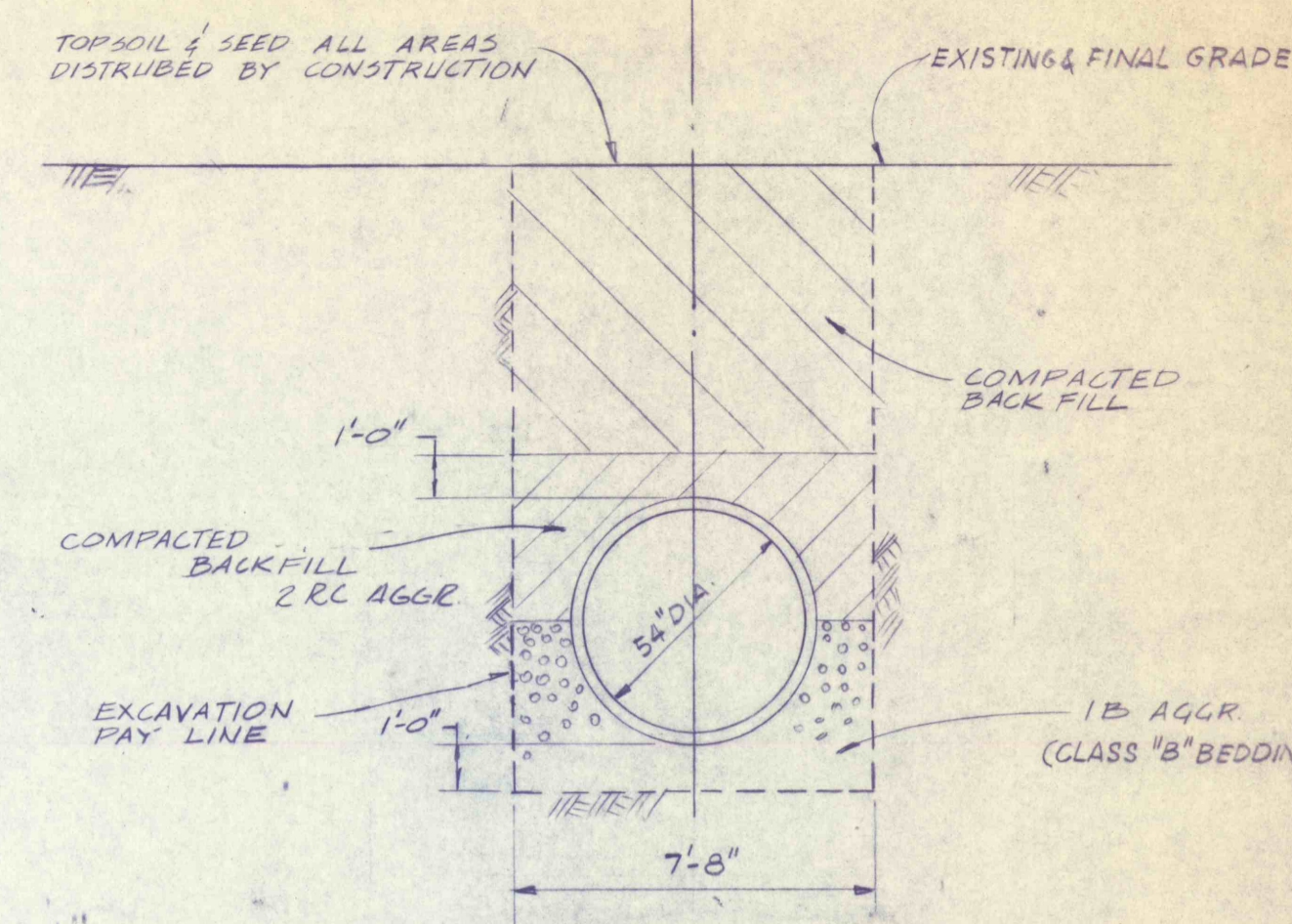
SECTION B-B SCALE: 1/4" = 1'-0"
1/2 SECTION F-F SCALE: 3/8" = 1'-0"
1/2 SECTION G-G SCALE: 3/8" = 1'-0"



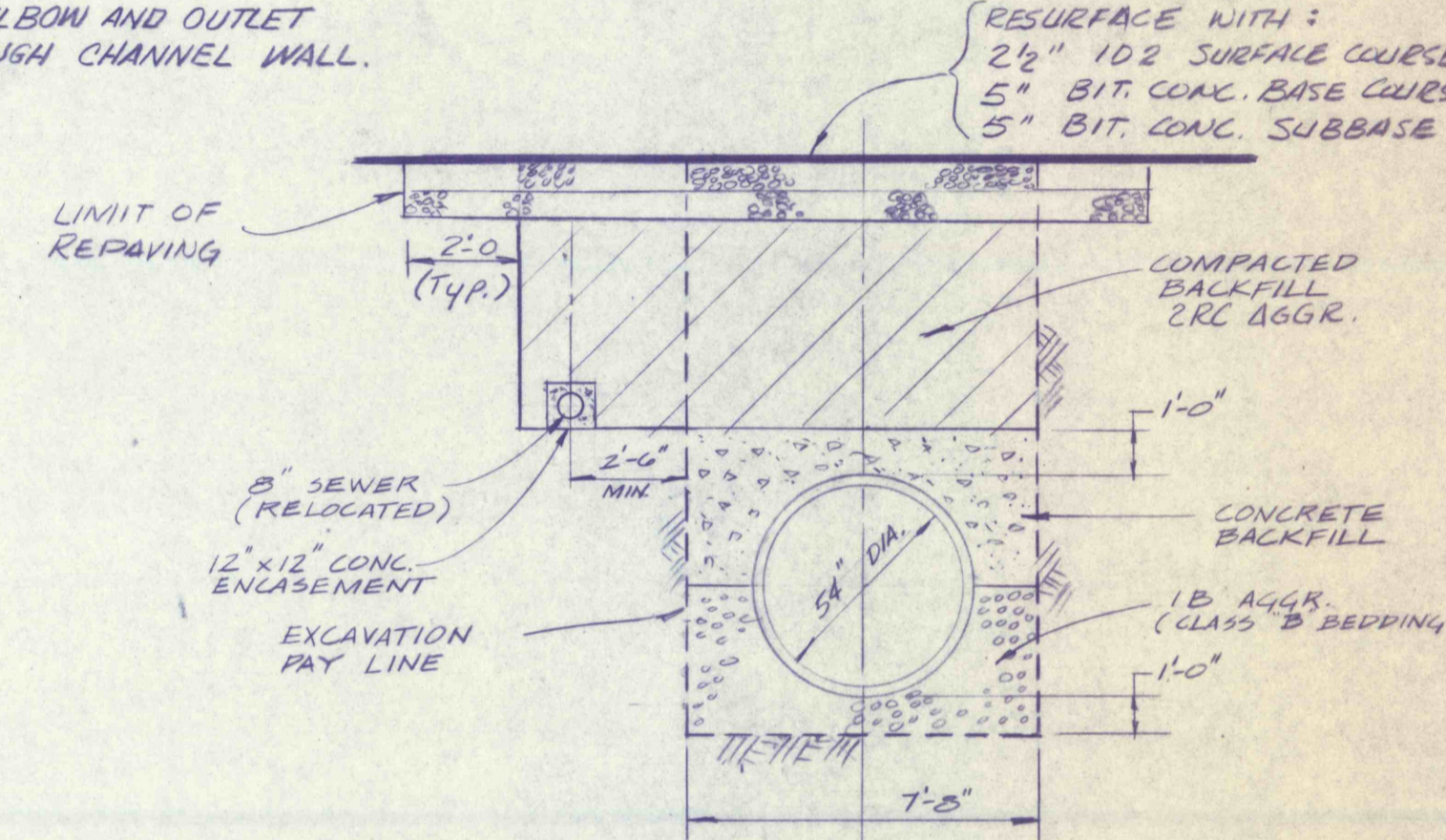
PLAN
SCALE: 1/4" = 1'-0"



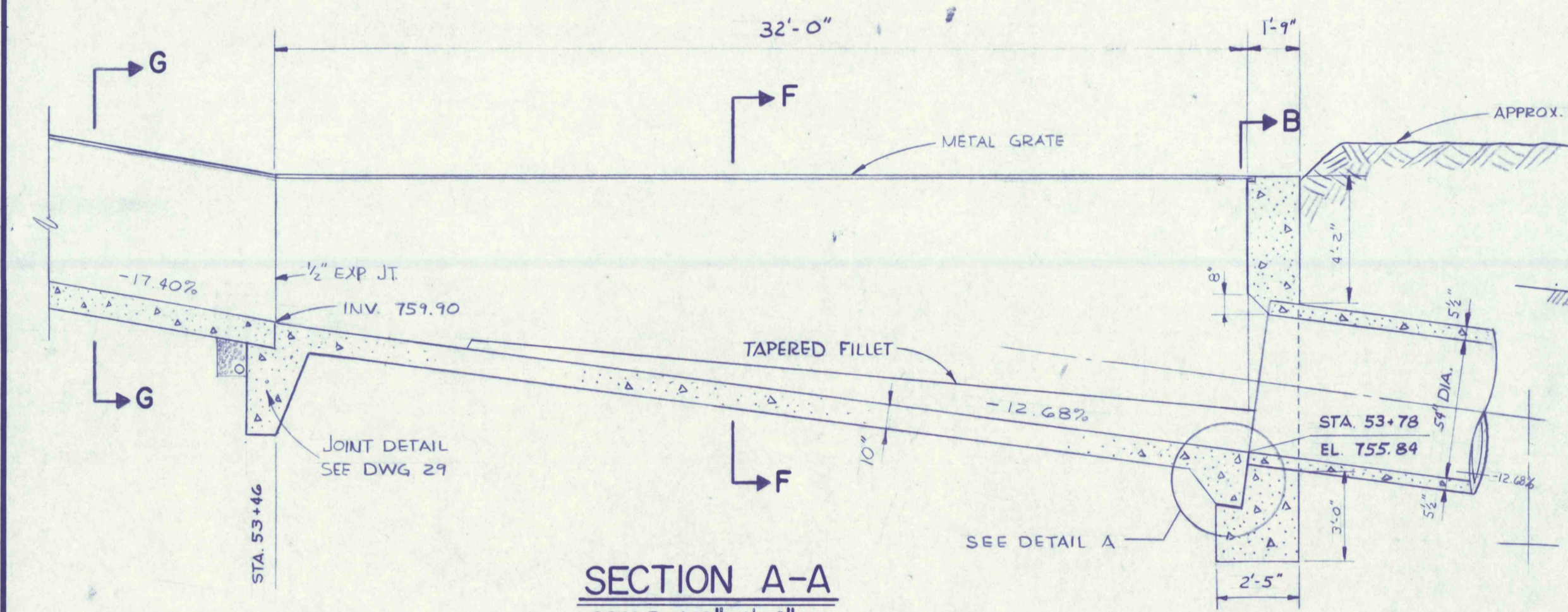
PLAN
SCALE: 1/4" = 1'-0"



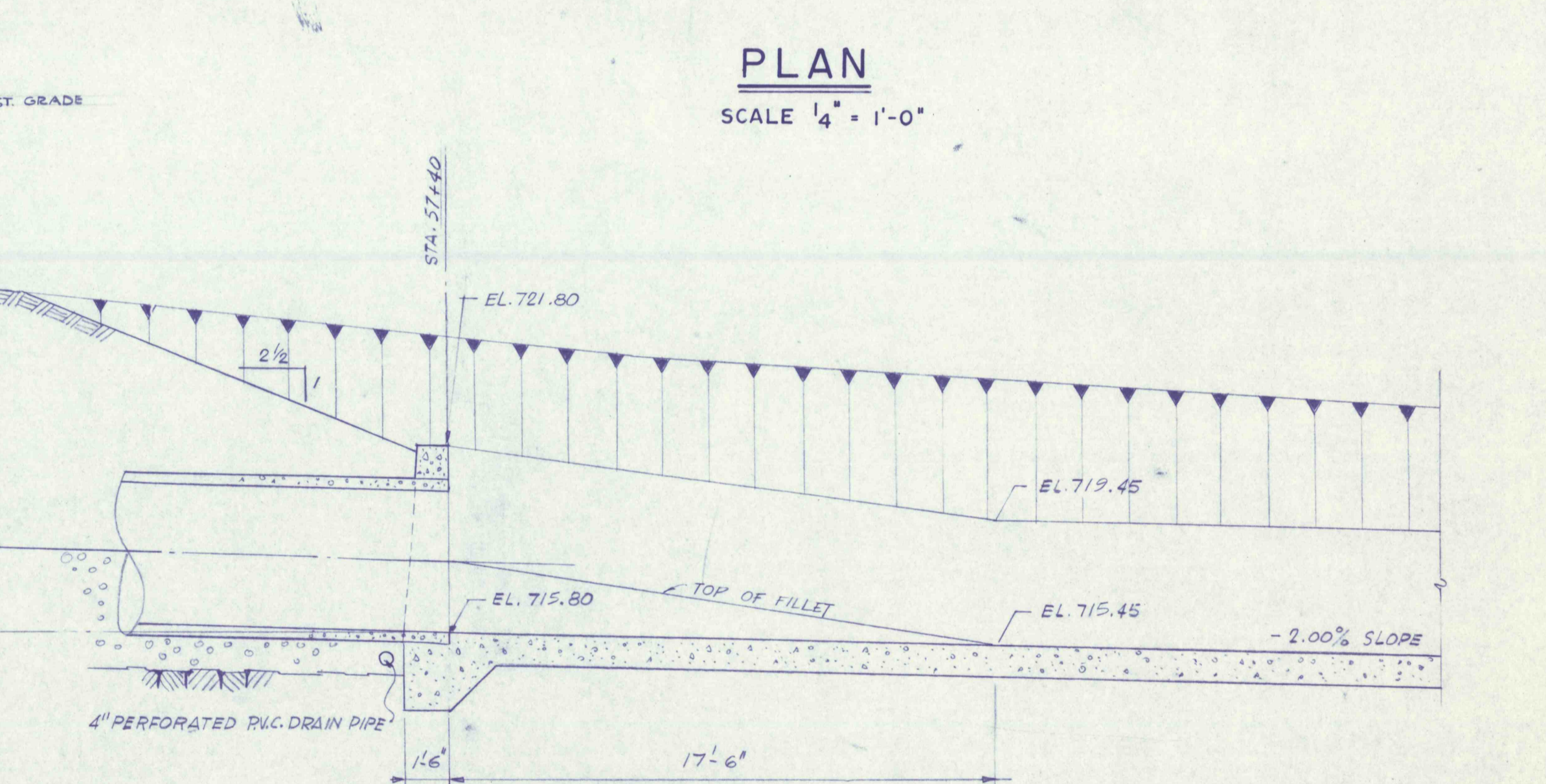
TYPICAL SECTION INLET TO MAIN STREET
SCALE: 1/4" = 1'-0"



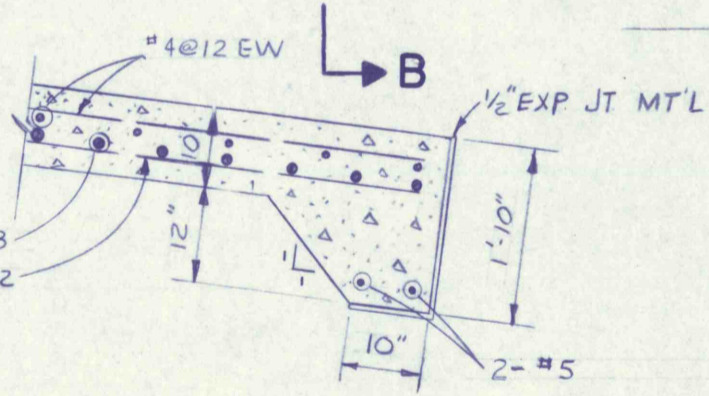
TYPICAL SECTION UNDER MAIN STREET
SCALE: 1/4" = 1'-0"



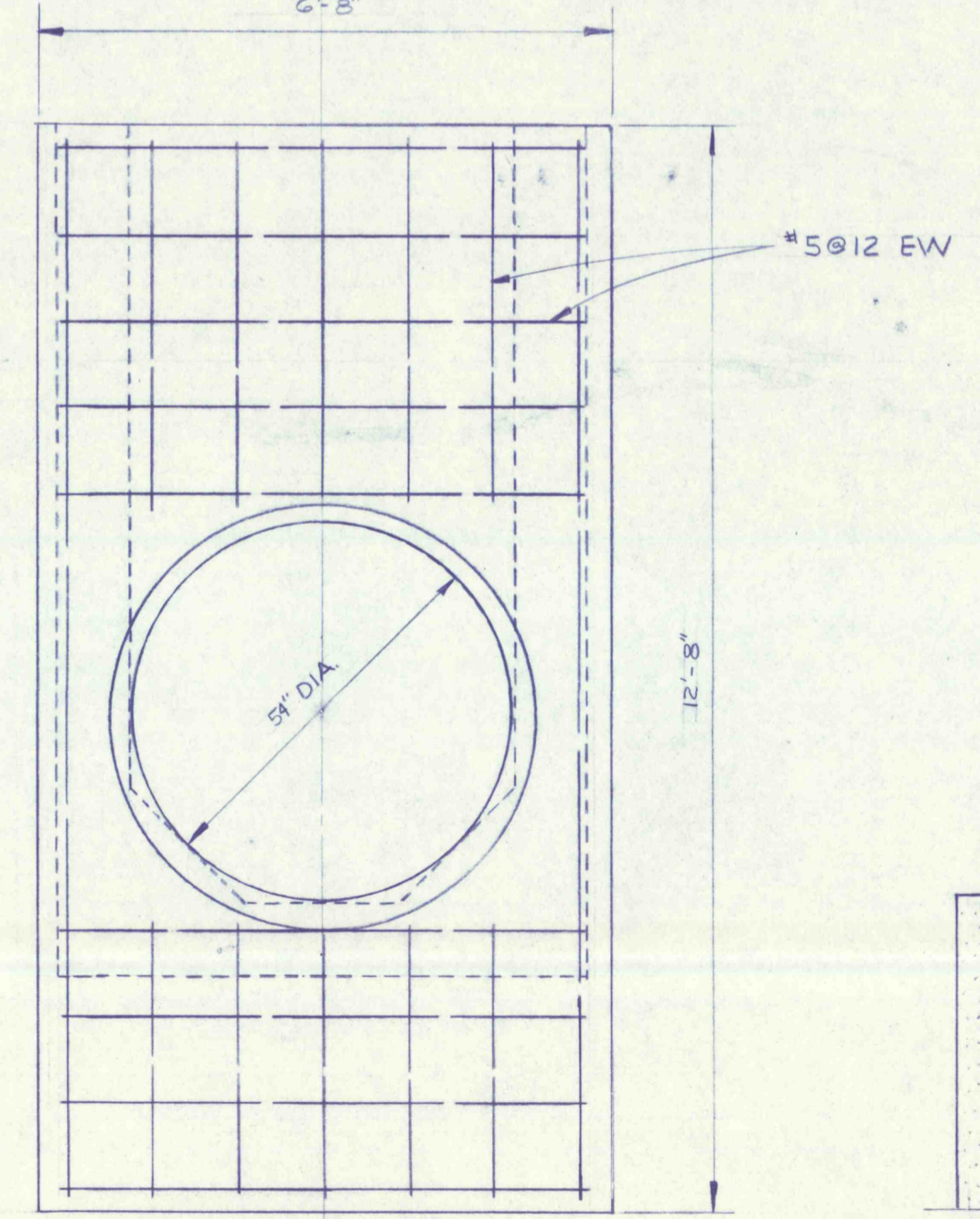
SECTION A-A
SCALE: 1/4" = 1'-0"



SECTION C-C
SCALE: 1/4" = 1'-0"

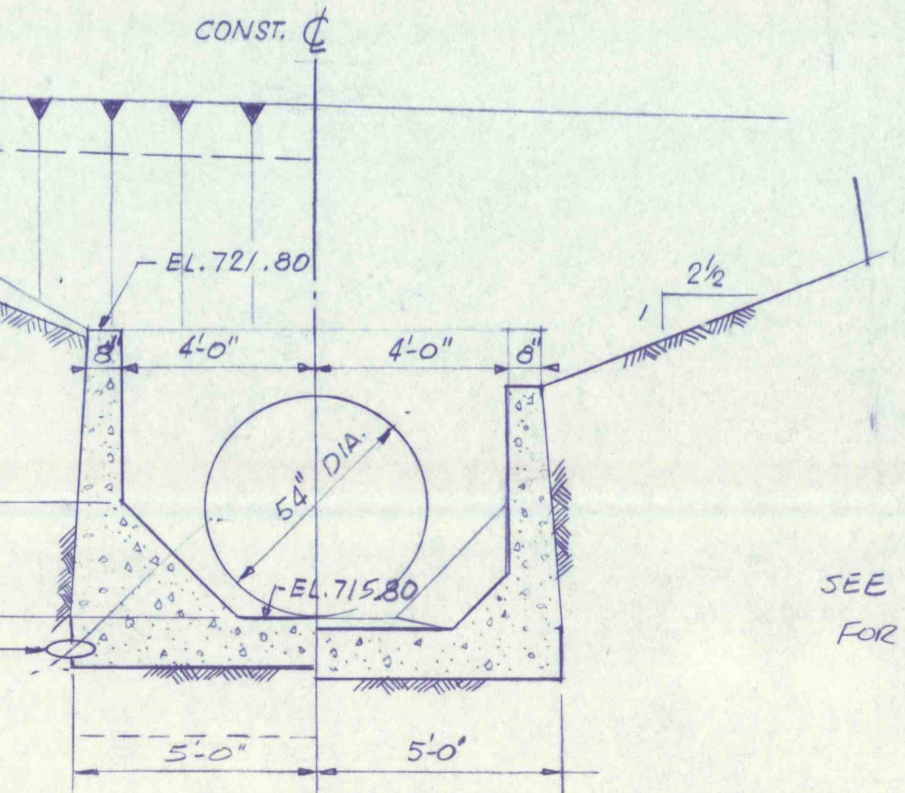
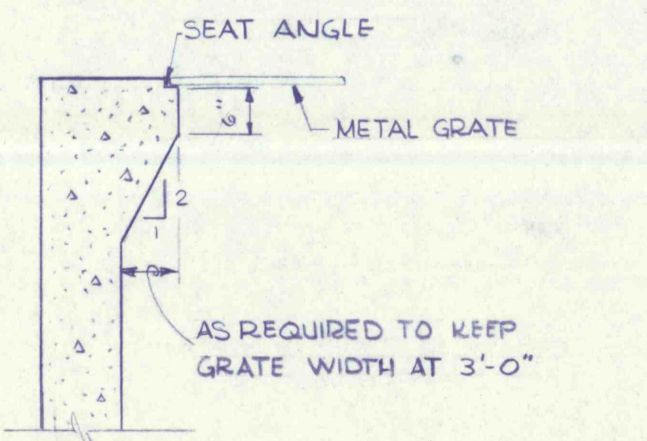


DETAIL A
SCALE: 1/2" = 1'-0"

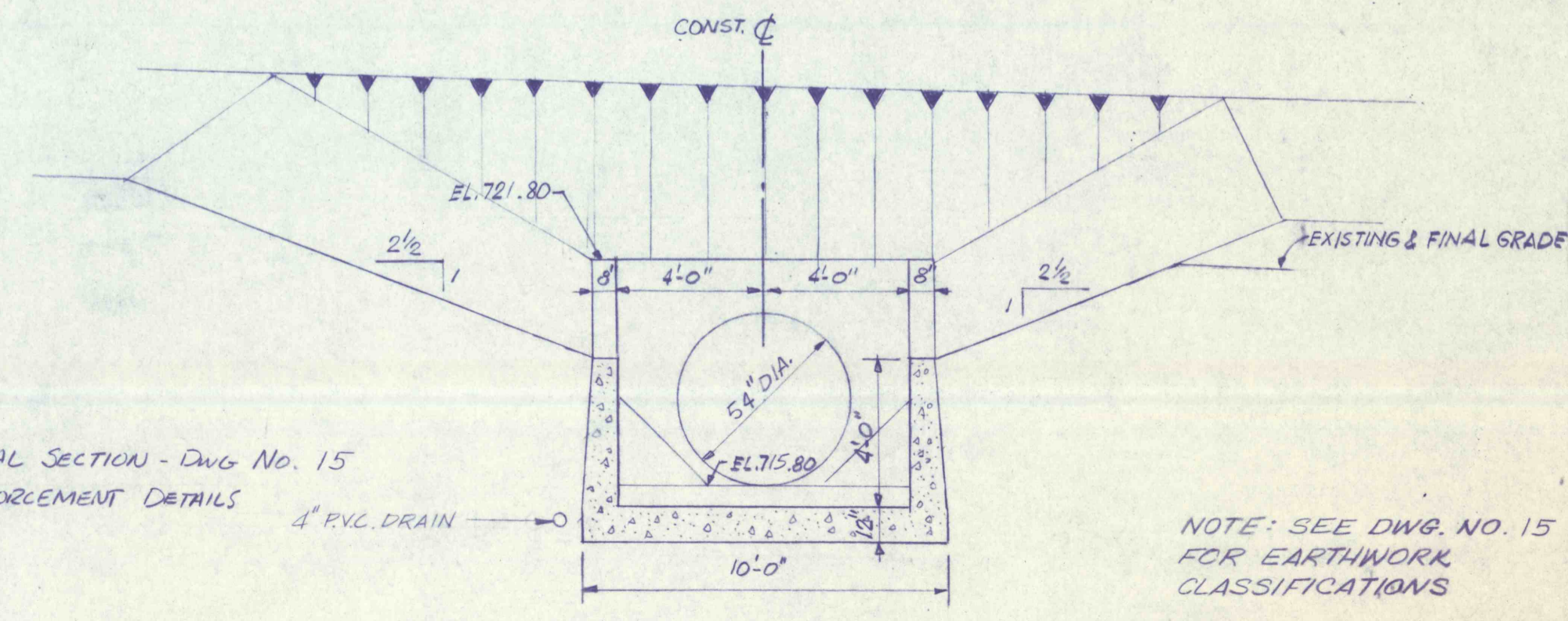


HEADWALL DETAIL
SCALE: 1/2" = 1'-0"

ALT. GRATE INSTALLATION DETAIL
SCALE: 1/2" = 1'-0"



SECTION D-D
SCALE: 1/4" = 1'-0"



SECTION E-E
SCALE: 1/4" = 1'-0"

SEE TYPICAL SECTION - DWG No. 15 FOR REINFORCEMENT DETAILS

NOTE: SEE DWG. NO. 15 FOR EARTHWORK CLASSIFICATIONS

NO.	DATE	REVISION	APPR.

FINAL
 S.J.M. JUL 28 1977
 GEO-Technical Services
 CONSULTING ENGINEERS & GEOLOGISTS
 HARRISBURG, PENNA.

COMMONWEALTH OF PENNSYLVANIA
 DEPARTMENT OF ENVIRONMENTAL RESOURCES
 OFFICE OF RESOURCES MANAGEMENT

CONTRACT NO. SL 181-3-101.1
SUGAR NOTCH RUN AMD ABATEMENT PROJECT
WARRIOR CREEK AND SOLOMON CREEK WATERSHEDS
 LUZERNE COUNTY, PENNA.

MAIN STREET CROSSING
STA. 56 + 50

Sheet 2 of 2
 DRAWN BY G.M. DATE MAY 1977 DRAWING NO. 23 of 40
 CHECKED BY J.D. SCALE AS SHOWN