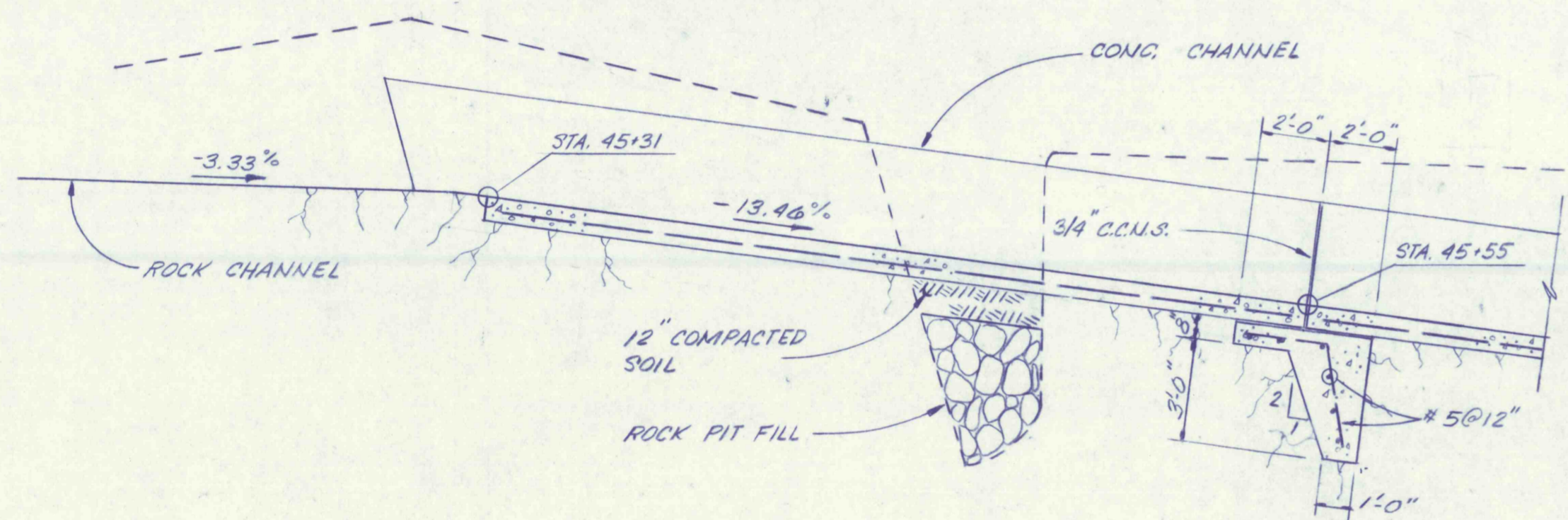
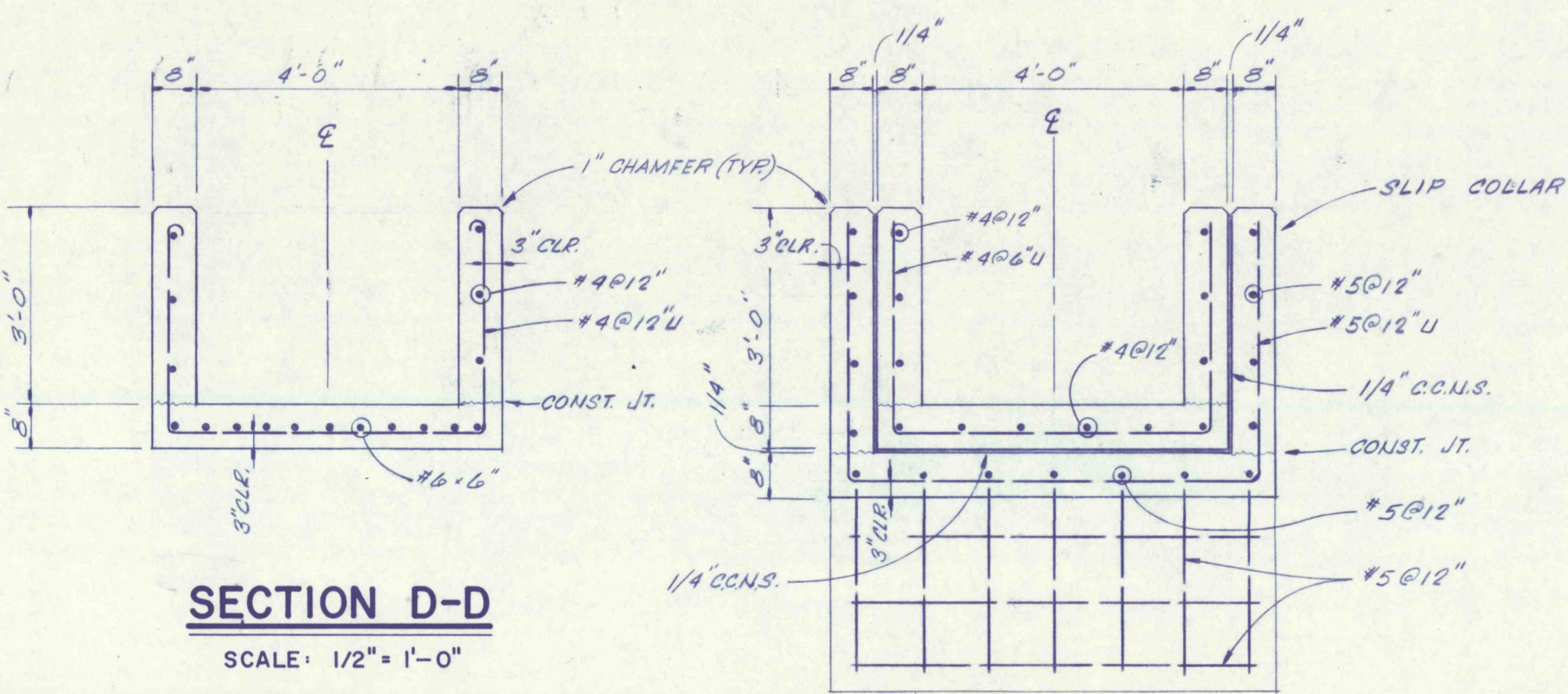


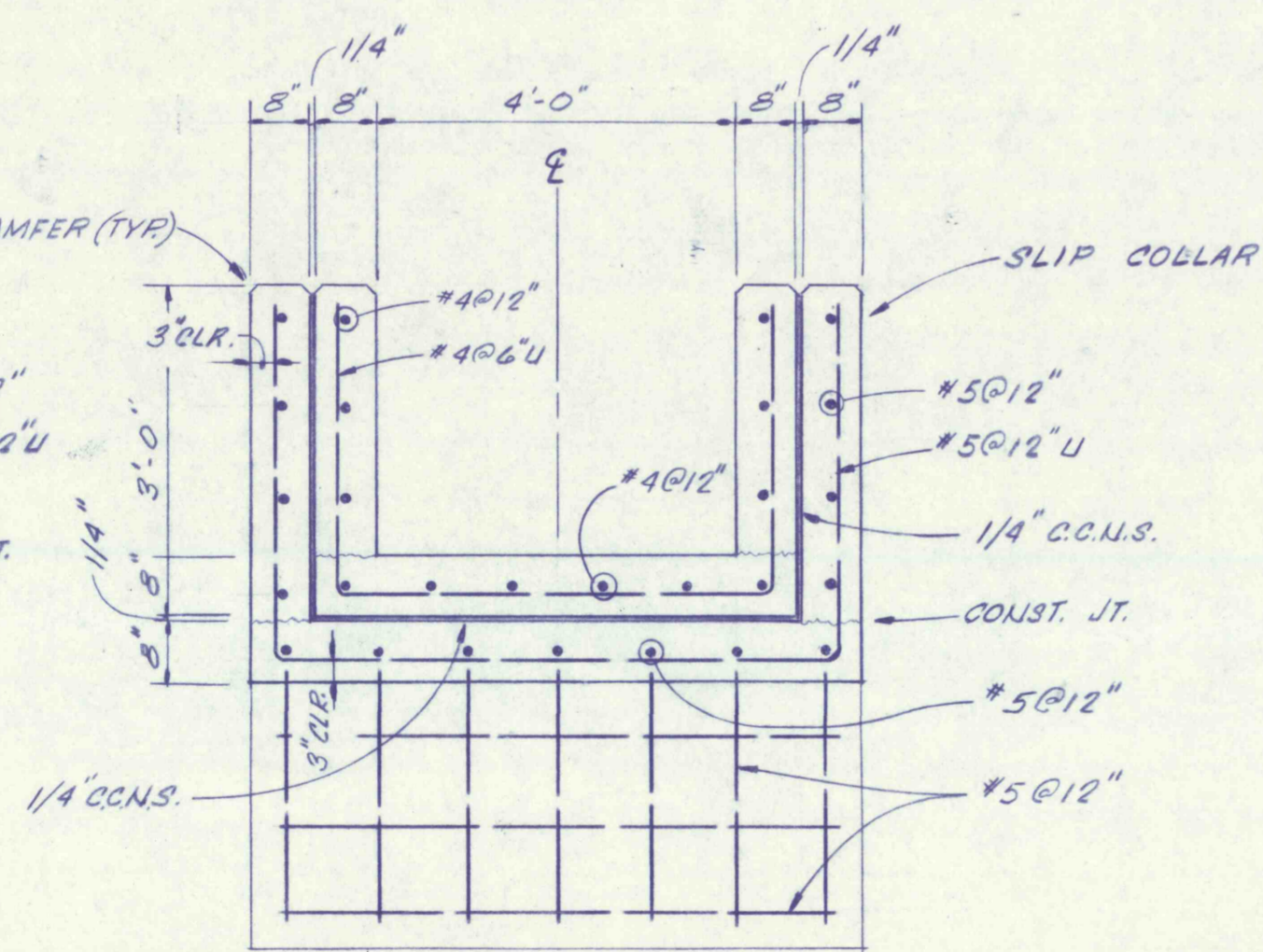
**PLAN**  
**STA. 45+20 TO STA. 45+60**  
 SCALE: 1/4" = 1'-0"



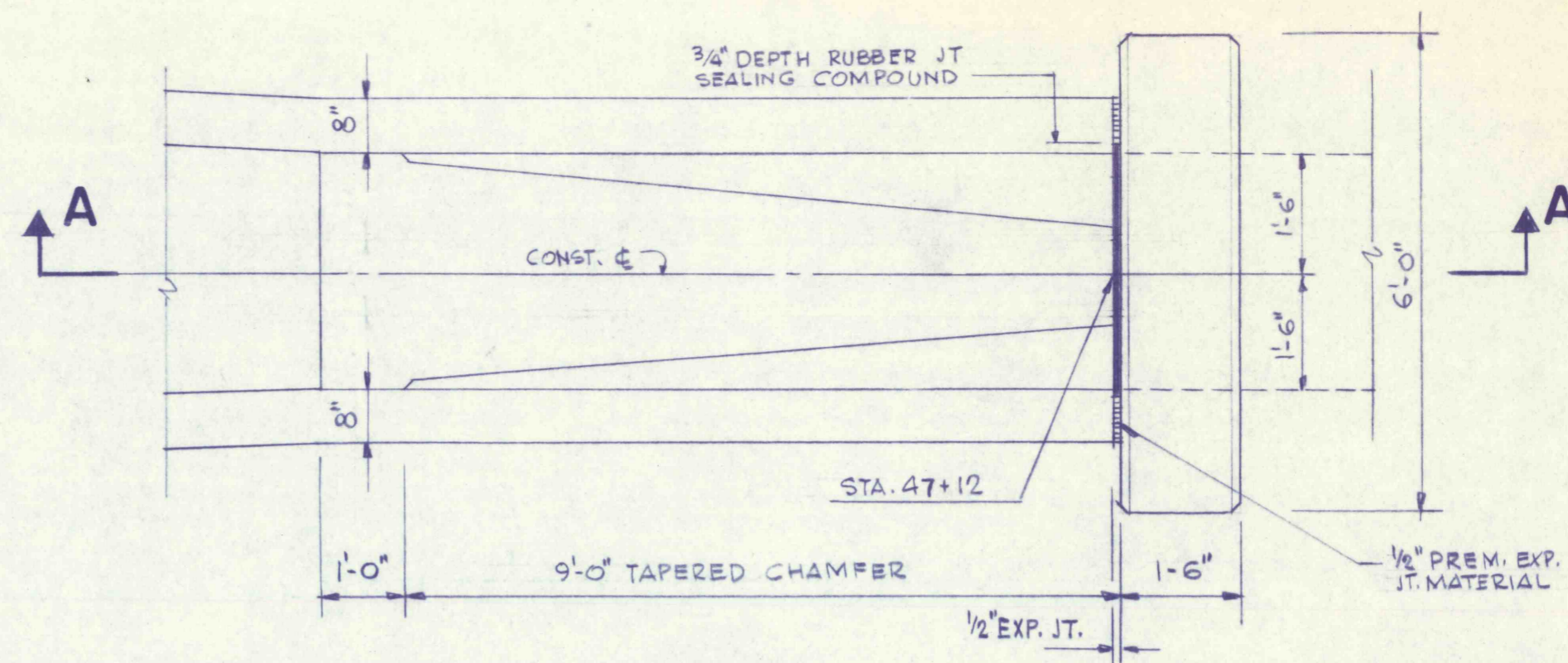
**SECTION C-C**  
 SCALE: 1/4" = 1'-0"



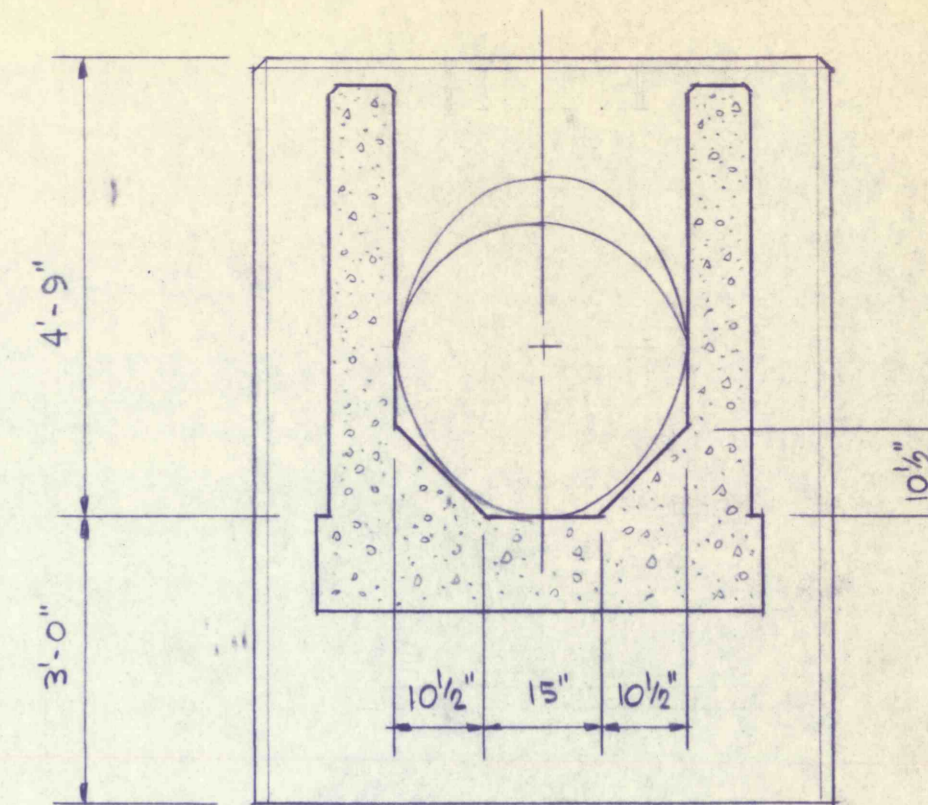
**SECTION D-D**  
 SCALE: 1/2" = 1'-0"



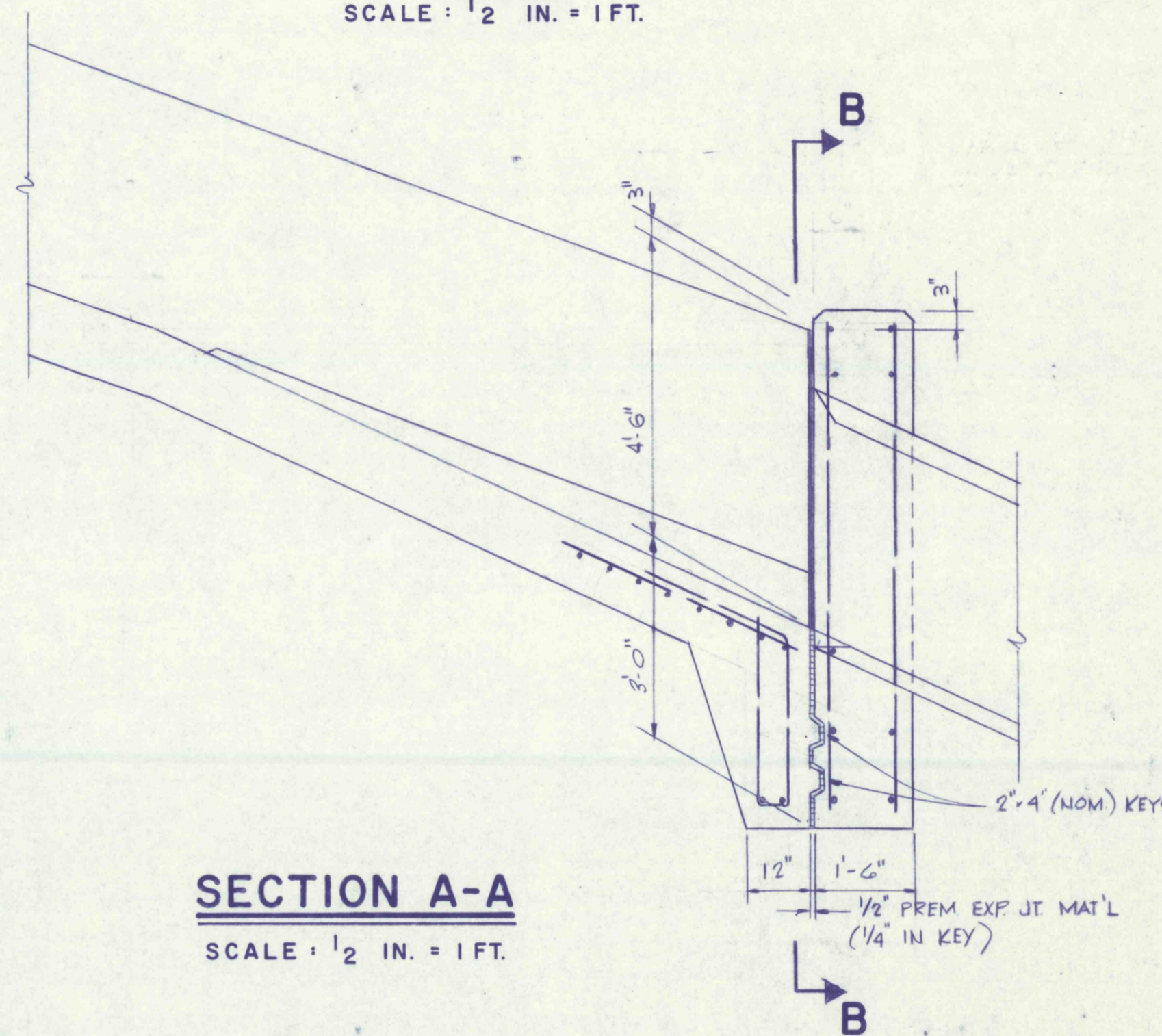
**SECTION E-E**  
 SCALE: 1/2" = 1'-0"



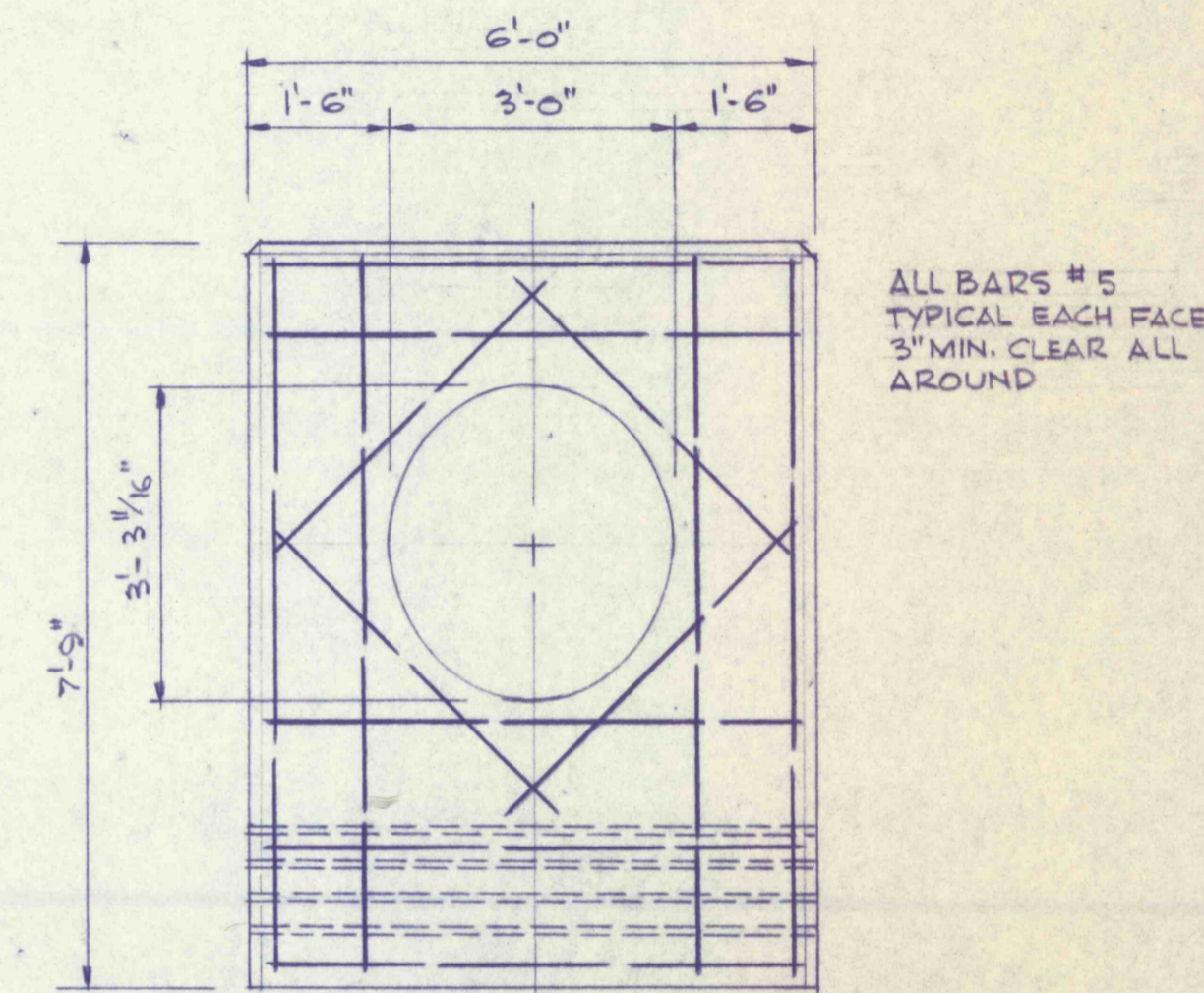
**PLAN**  
 SCALE: 1/2 IN. = 1 FT.



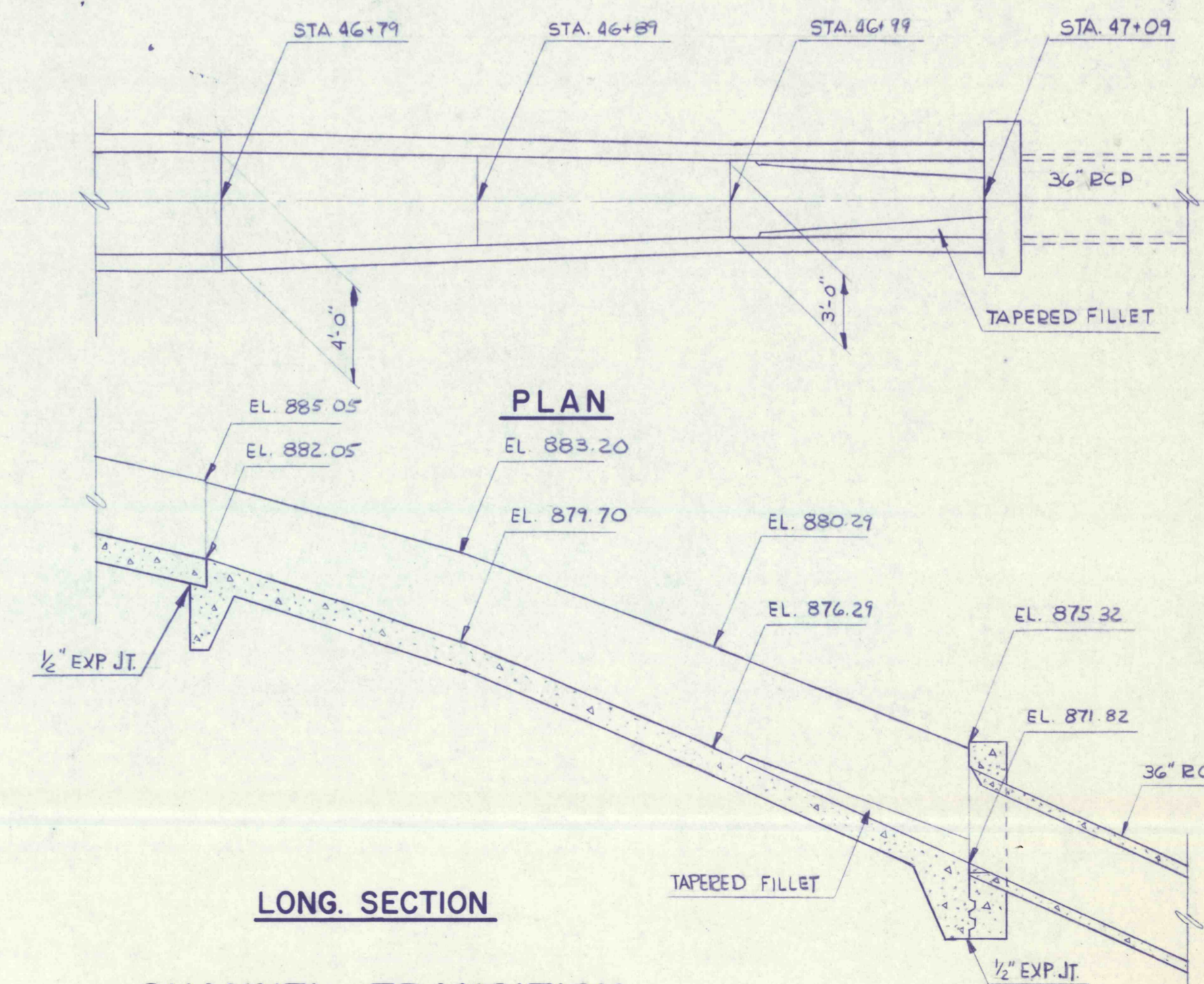
**SECTION B-B**  
 SCALE: 1/2 IN. = 1 FT.



**SECTION A-A**  
 SCALE: 1/2 IN. = 1 FT.



**END WALL REINFORCEMENT**  
 SCALE: 1/2 IN. = 1 FT.



**LONG. SECTION**  
**CHANNEL TRANSITION**  
**STA. 46+79 TO STA. 47+09**  
 SCALE: 1 IN. = 5 FT.

| NO.                                | DATE | REVISION | APPR. |
|------------------------------------|------|----------|-------|
| SUBMITTED                          |      |          |       |
| PROFESSIONAL                       |      |          |       |
| APPROVED                           |      |          |       |
| CHIEF-DIVISION OF MINE RECLAMATION |      |          |       |
| APPROVED                           |      |          |       |
| DIRECTOR-BUREAU OF DESIGN          |      |          |       |

**FINAL**

SJM JUL 28 1977

COMMONWEALTH OF PENNSYLVANIA  
 DEPARTMENT OF ENVIRONMENTAL RESOURCES  
 OFFICE OF RESOURCES MANAGEMENT

CONTRACT NO. SL 181-3-101.1  
 SUGAR NOTCH RUN AMD  
 ABATEMENT PROJECT  
 WARRIOR CREEK AND  
 SOLOMON CREEK WATERSHEDS

GEO-Technical Services  
 CONSULTING ENGINEERS & GEOLOGISTS  
 851 So. 19th St. HARRISBURG, PENNA.

**CHANNEL TRANSITION**  
**STA. 46+79 TO STA. 47+09**

|                   |                   |                         |
|-------------------|-------------------|-------------------------|
| DRAWN BY<br>G.M.  | DATE<br>MAY 1977  | DRAWING NO.<br>20 of 40 |
| CHECKED BY<br>SJM | SCALE<br>As Shown |                         |