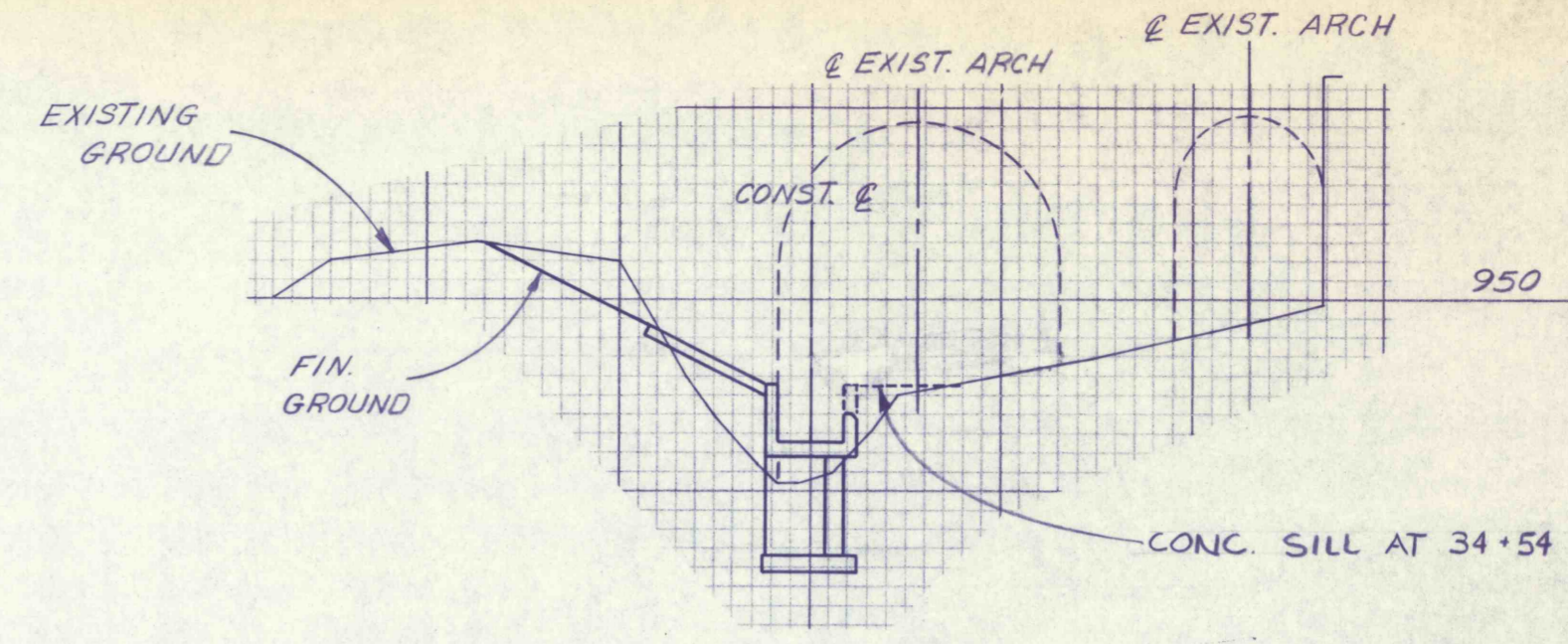
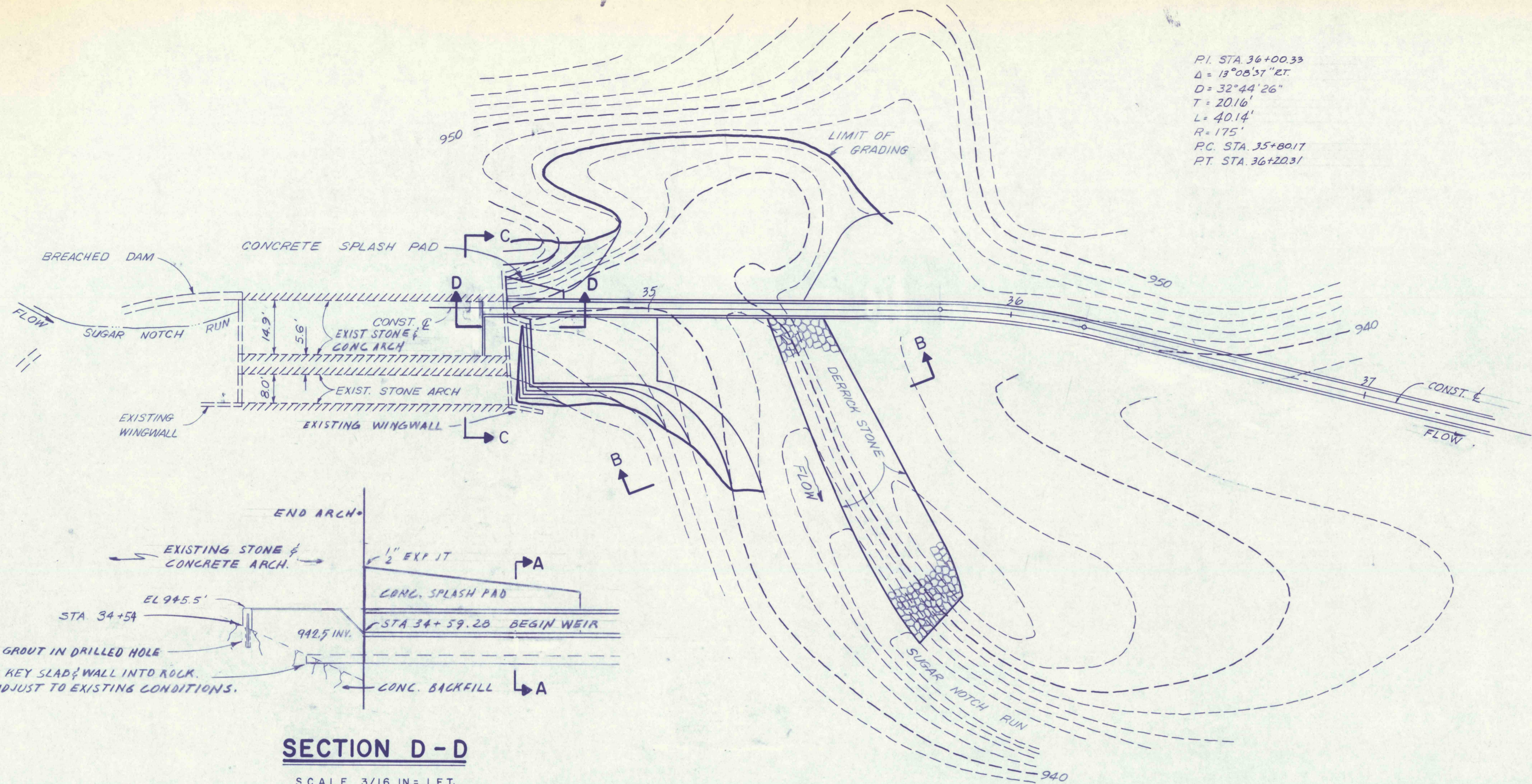
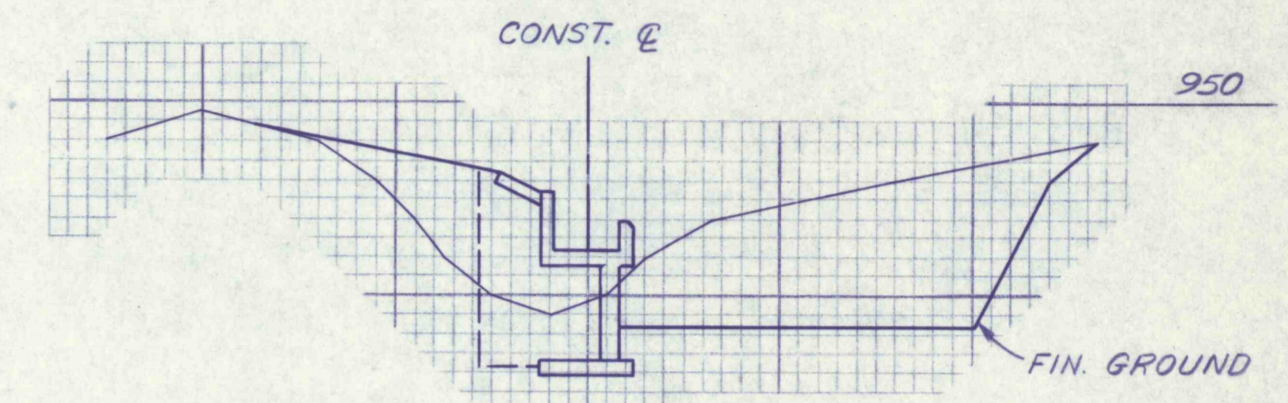


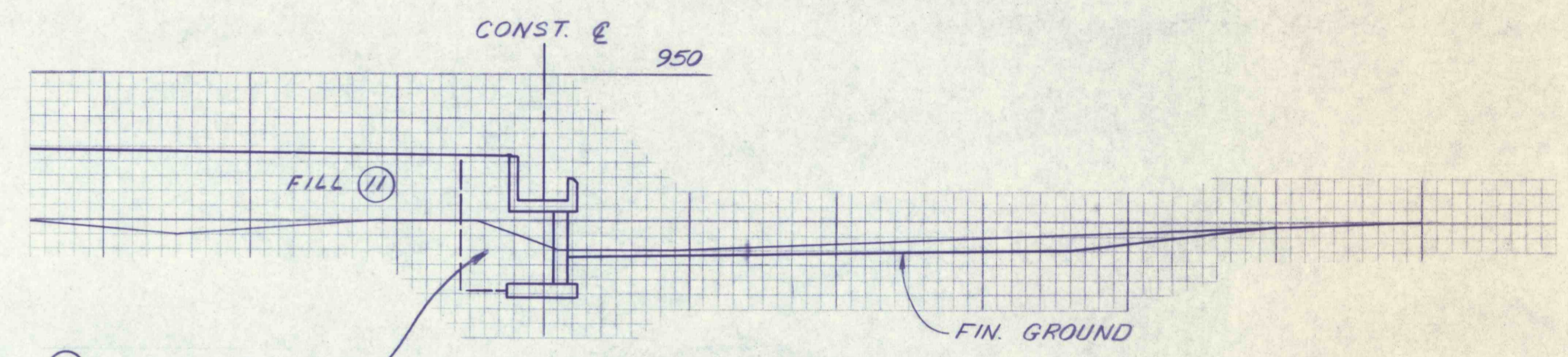
P.I. STA. 36+00.33
 $\Delta = 13^{\circ}08'57''$ RT
 $D = 32^{\circ}44'26''$
 $T = 20.16'$
 $L = 40.14'$
 $R = 175'$
 P.C. STA. 35+80.17
 P.T. STA. 36+20.31



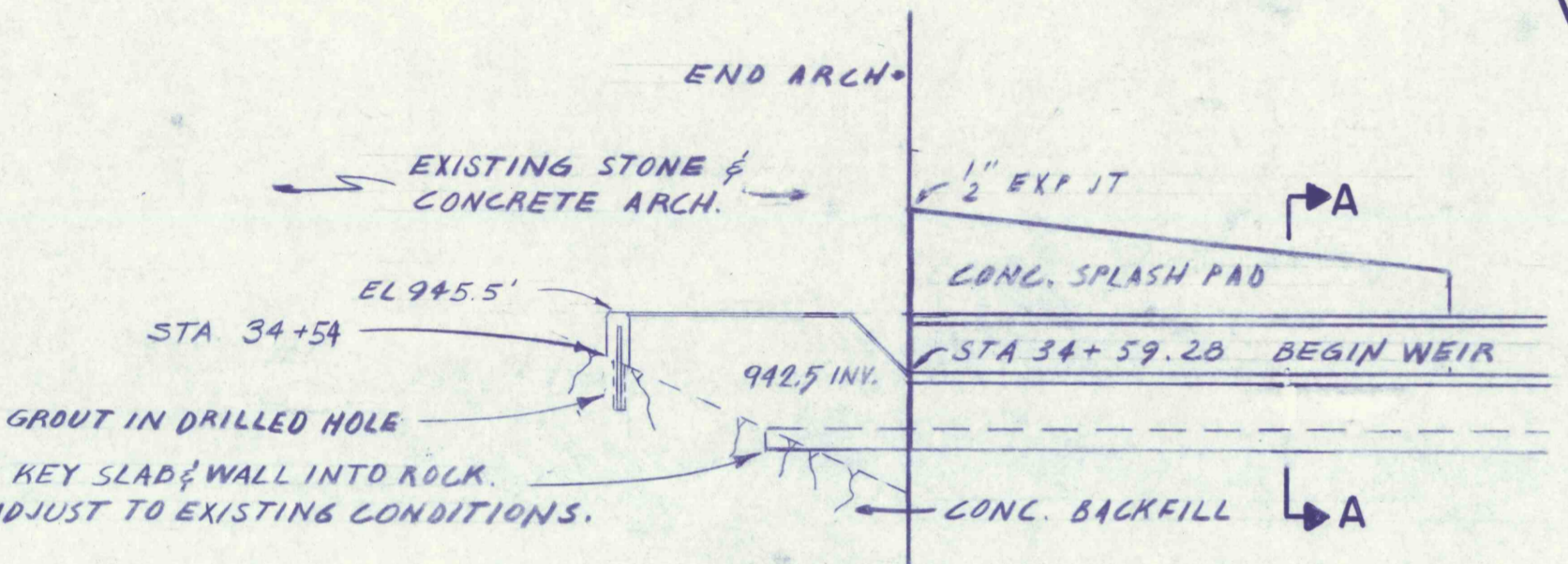
STA. 34+59.28



STA. 34+75.28

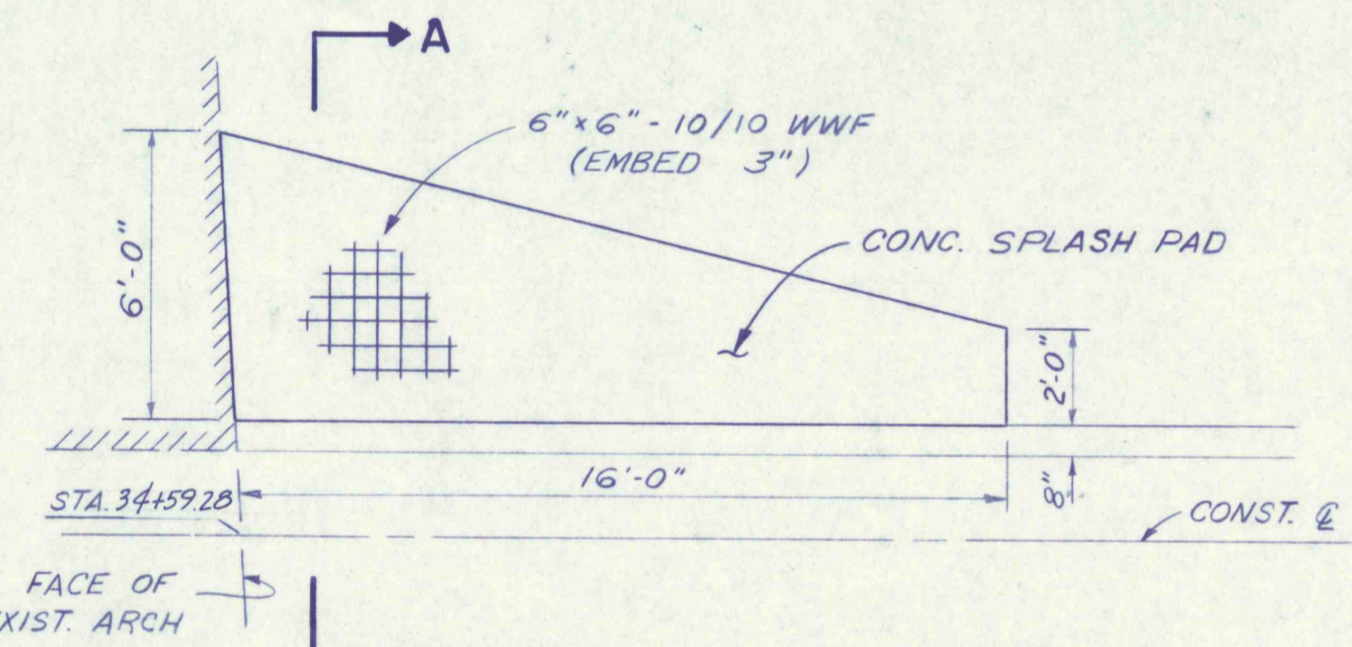


STA. 35+25



SECTION D-D

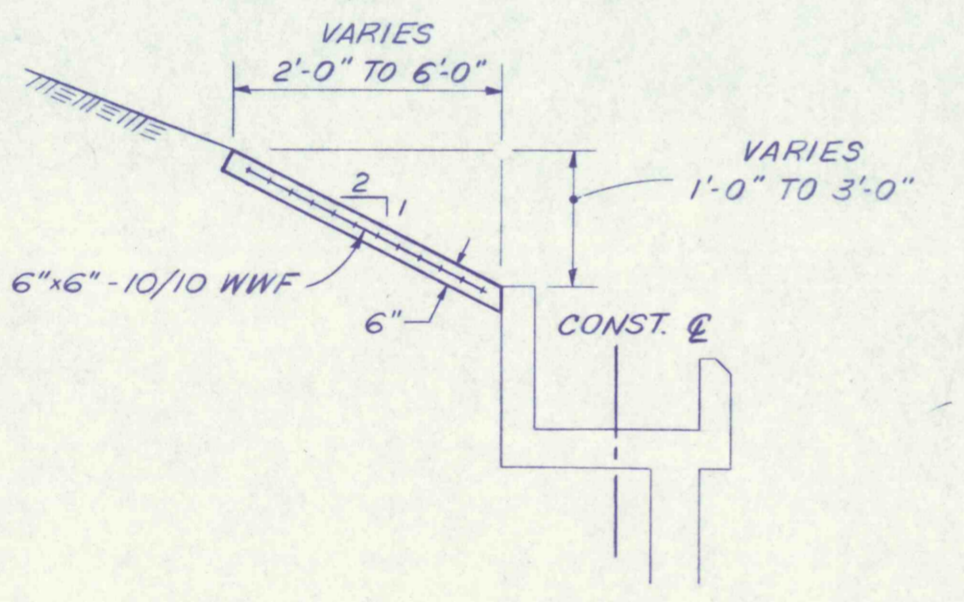
SCALE 3/16 IN. = 1 FT.



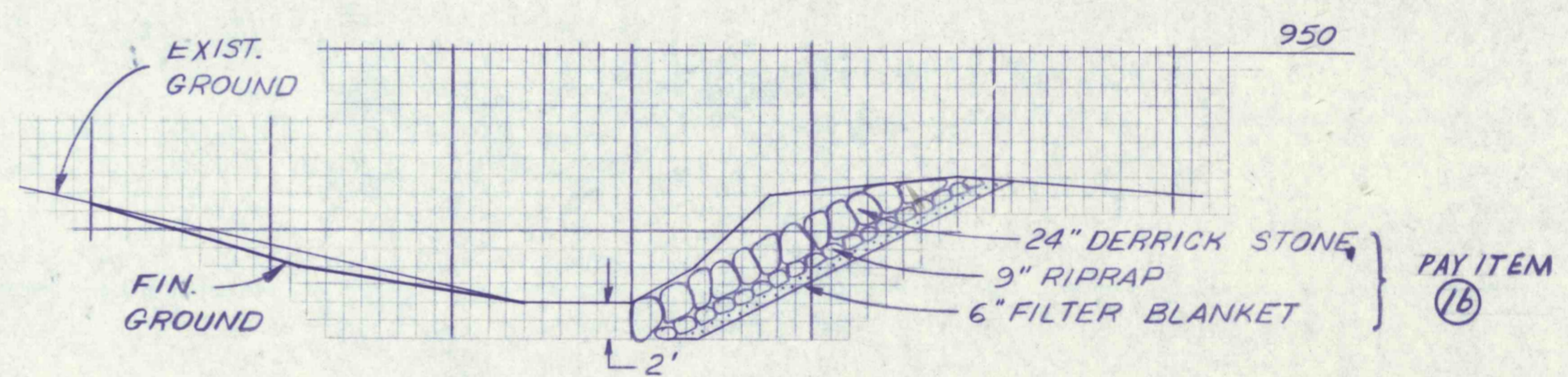
PLAN

SPLASH PAD

SCALE: 1/4 IN. = 1 FT.

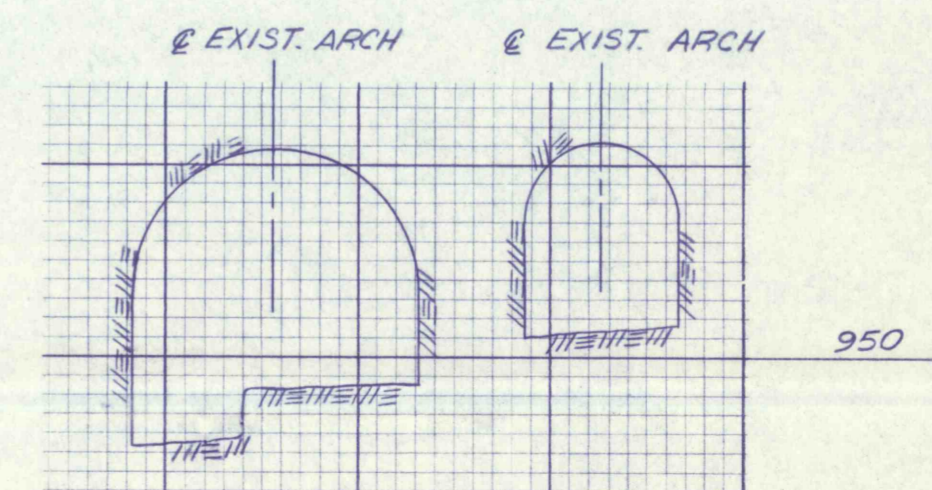


SECTION A-A



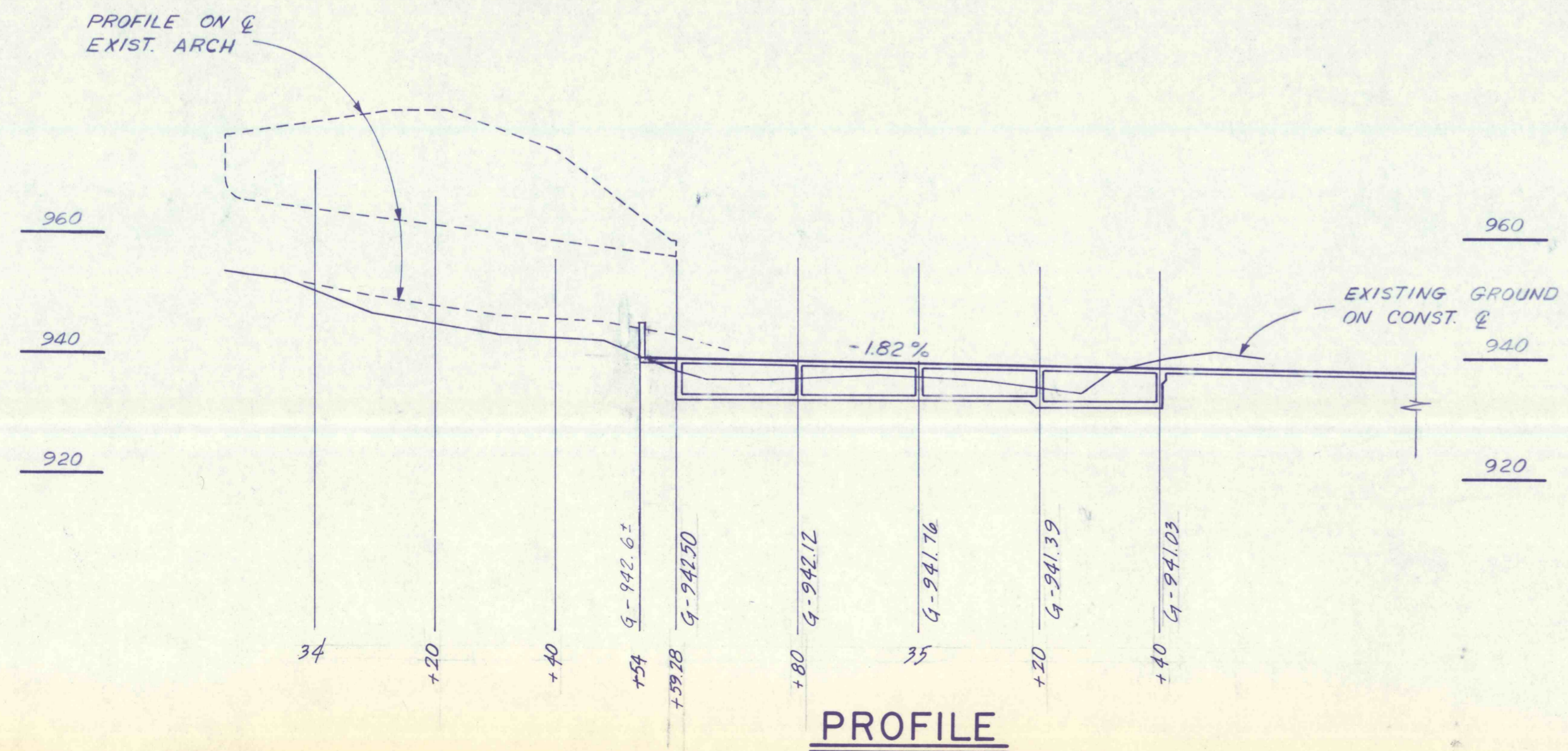
SECTION B-B

SCALE: 1 IN. = 10 FT.



SECTION C-C

SCALE: 1 IN. = 10 FT.



PROFILE

SECTIONS

SCALE: 1 IN. = 10 FT.

NO.	DATE	REVISION	APPR.

FINAL
 S.J.M. JUL 28 1977
 G E O - Technical Services
 CONSULTING ENGINEERS & GEOLOGISTS
 HARRISBURG, PENNA.

COMMONWEALTH OF PENNSYLVANIA
 DEPARTMENT OF ENVIRONMENTAL RESOURCES
 OFFICE OF RESOURCES MANAGEMENT

CONTRACT NO. SL 181-3-101.1

SUGAR NOTCH RUN AND
 ABATEMENT PROJECT
 WARRIOR CREEK AND
 SOLOMON CREEK WATERSHEDS
 LUZERNE COUNTY, PENNA.

DIVERSION STRUCTURE
 SHEET 1 OF 2

DRAWN BY WEH	DATE MAY 1977	DRAWING NO. 16 of 40
CHECKED BY SJM	SCALE As Shown	