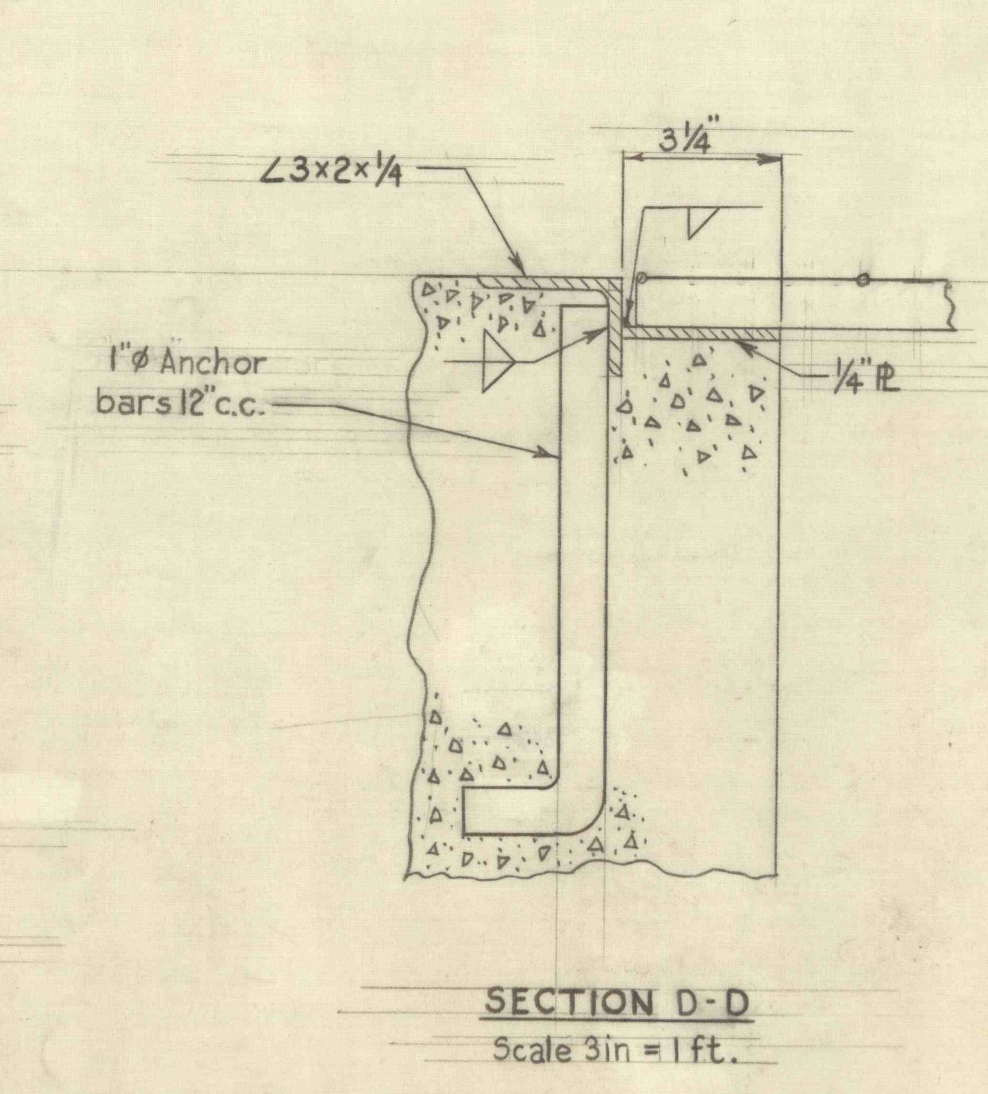
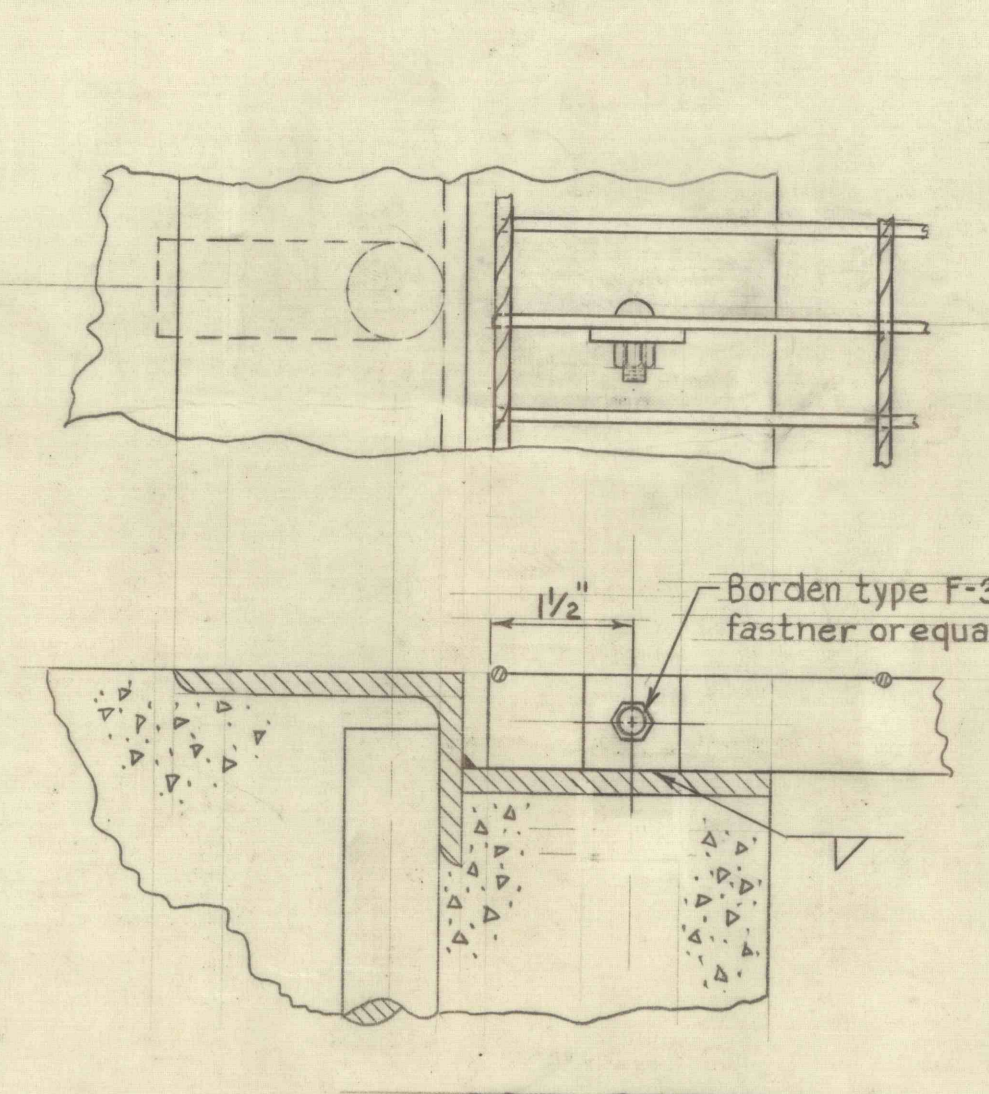


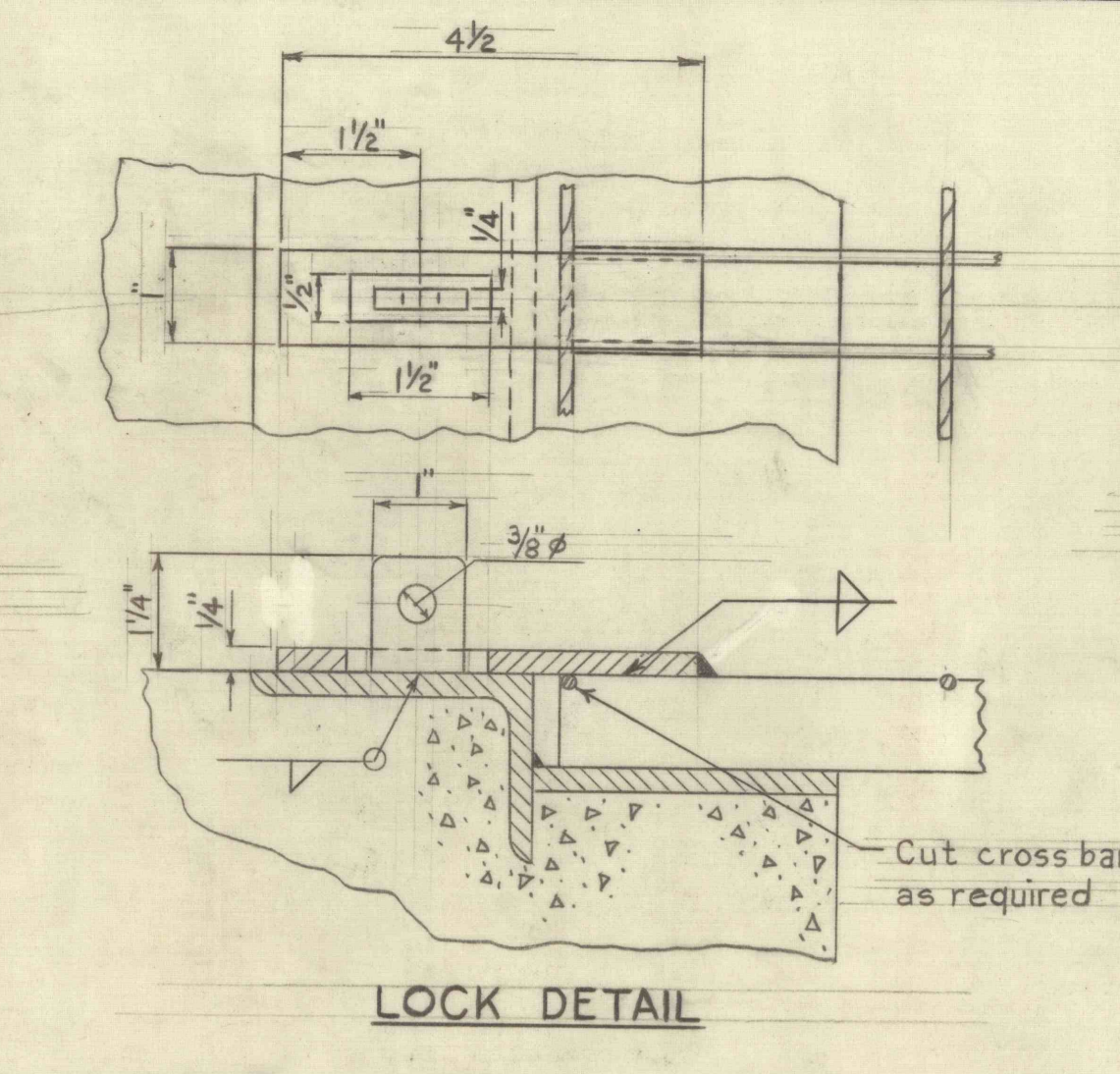
**PLAN**  
Scale: 1/2 in. = 1 ft.  
**CONTROL MANHOLE**



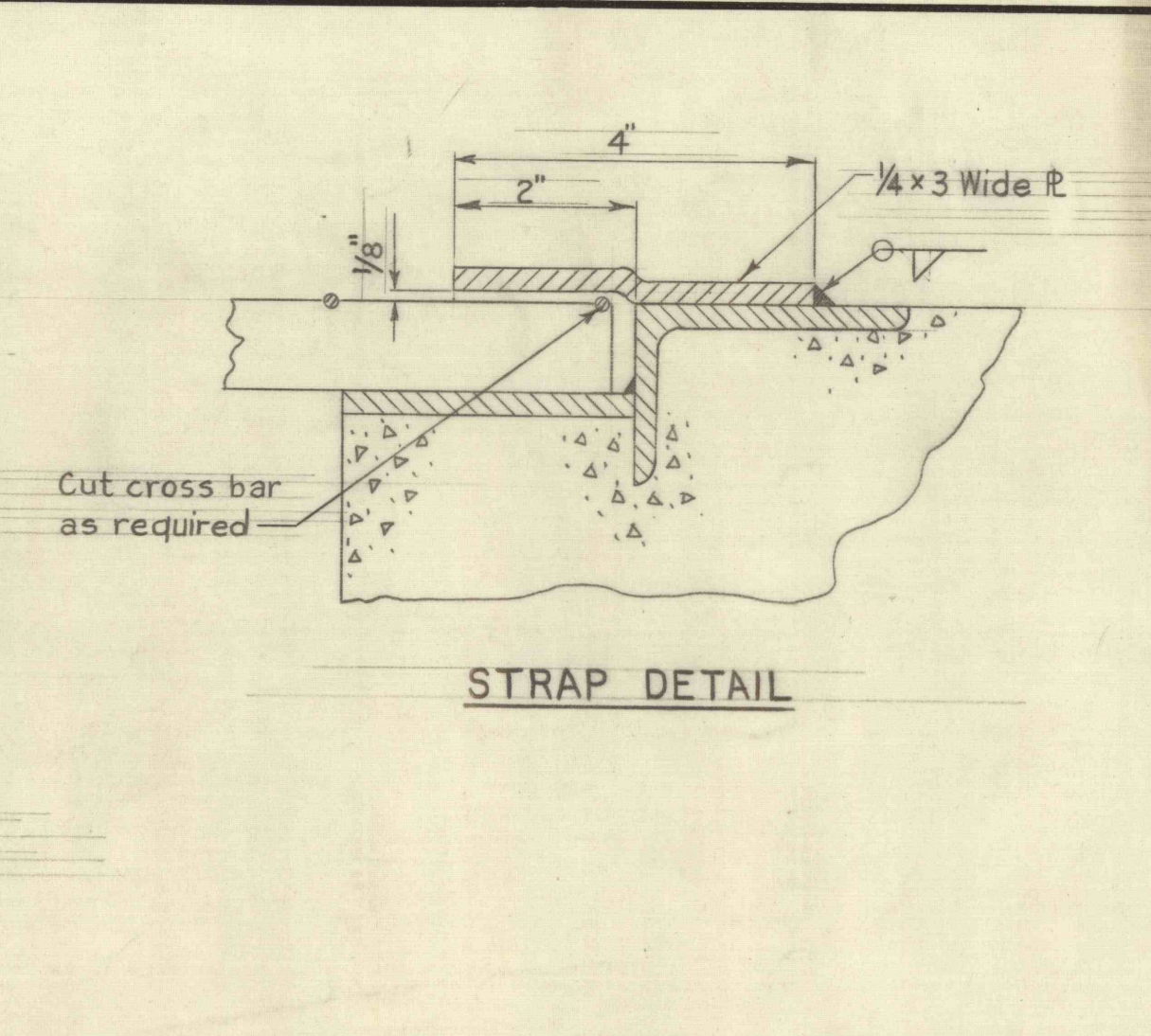
**SECTION D-D**  
Scale 3 in. = 1 ft.



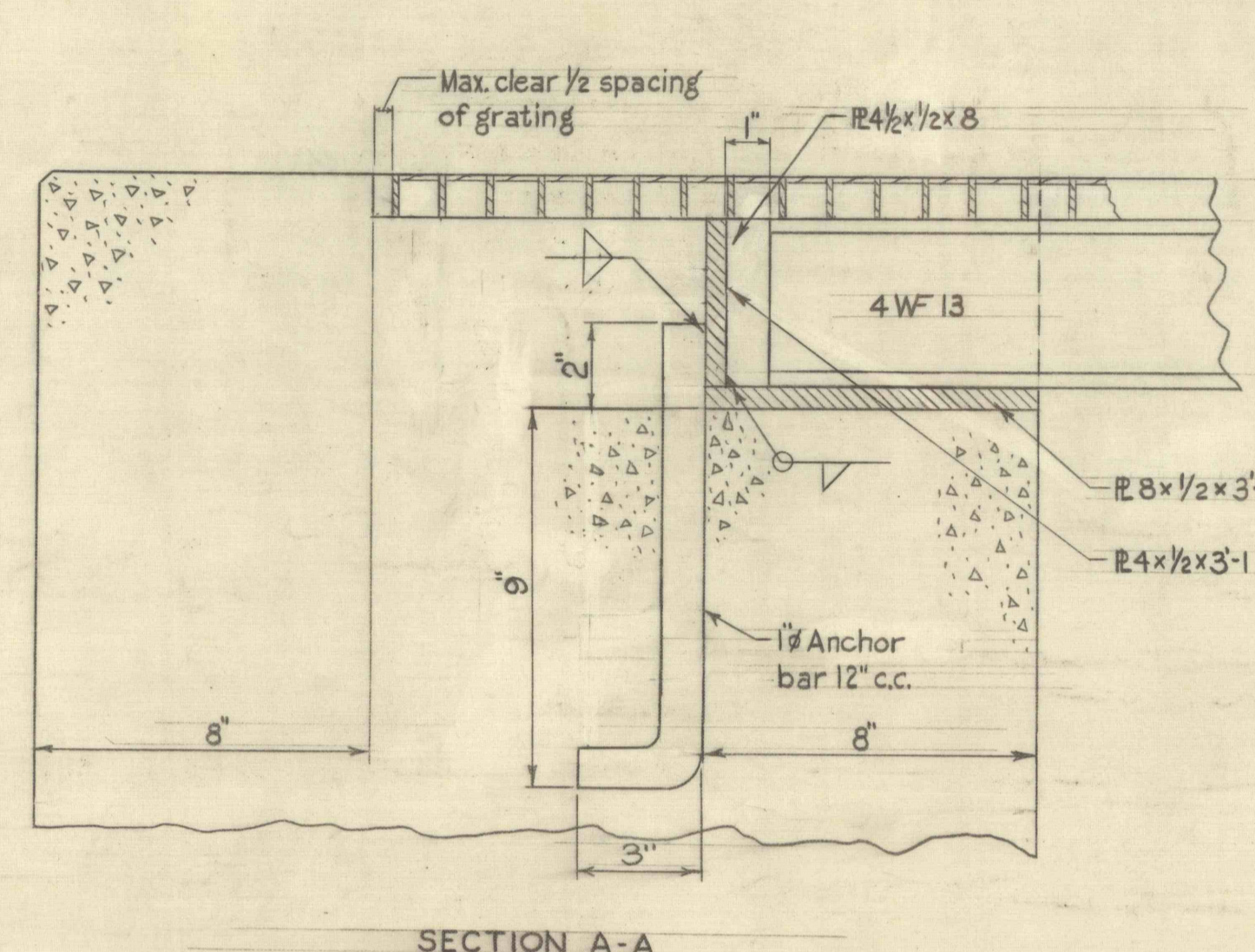
**BOLT DETAIL**



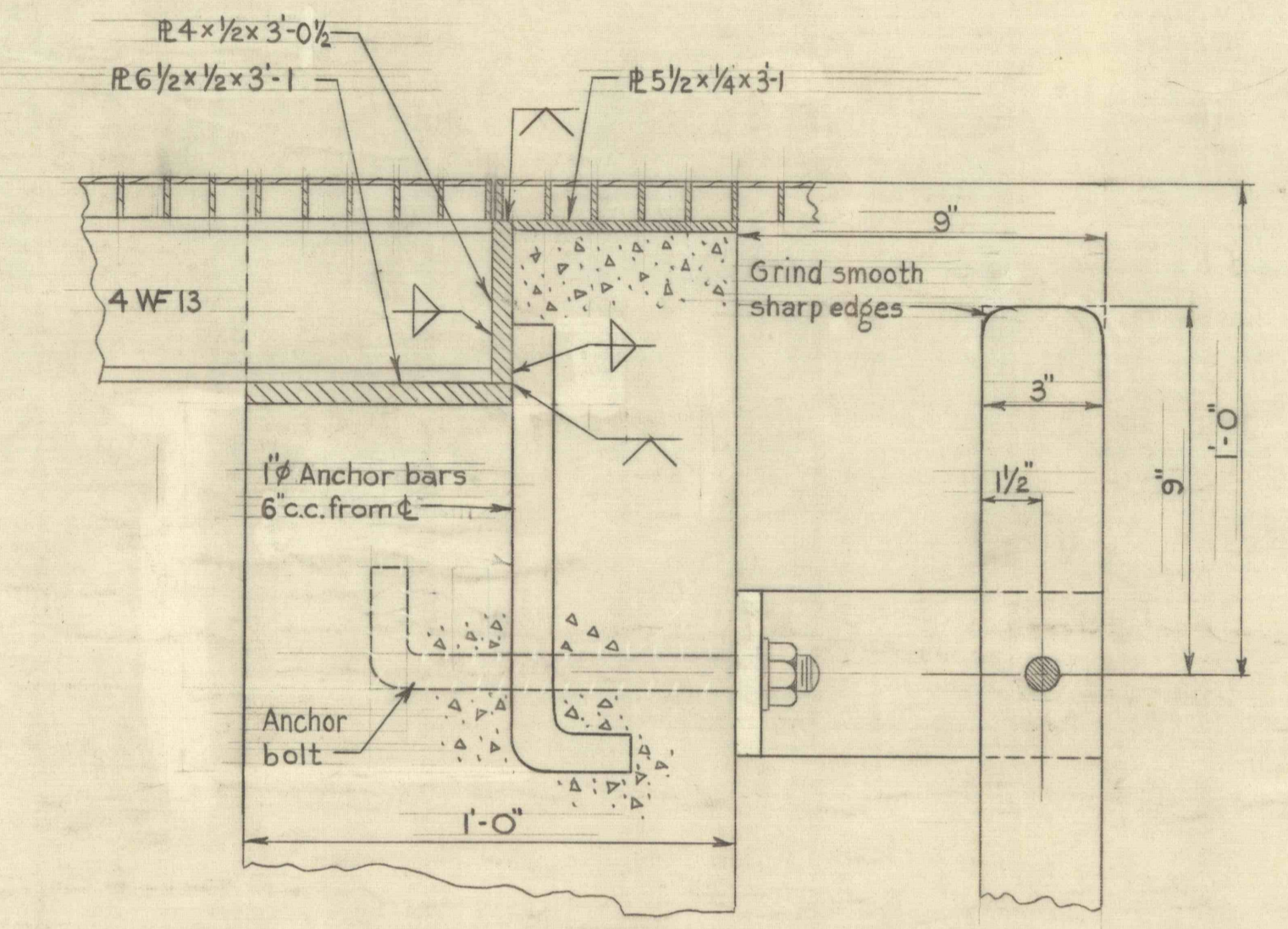
**LOCK DETAIL**  
Scale: 1/2 in. = 1 in.



**STRAP DETAIL**

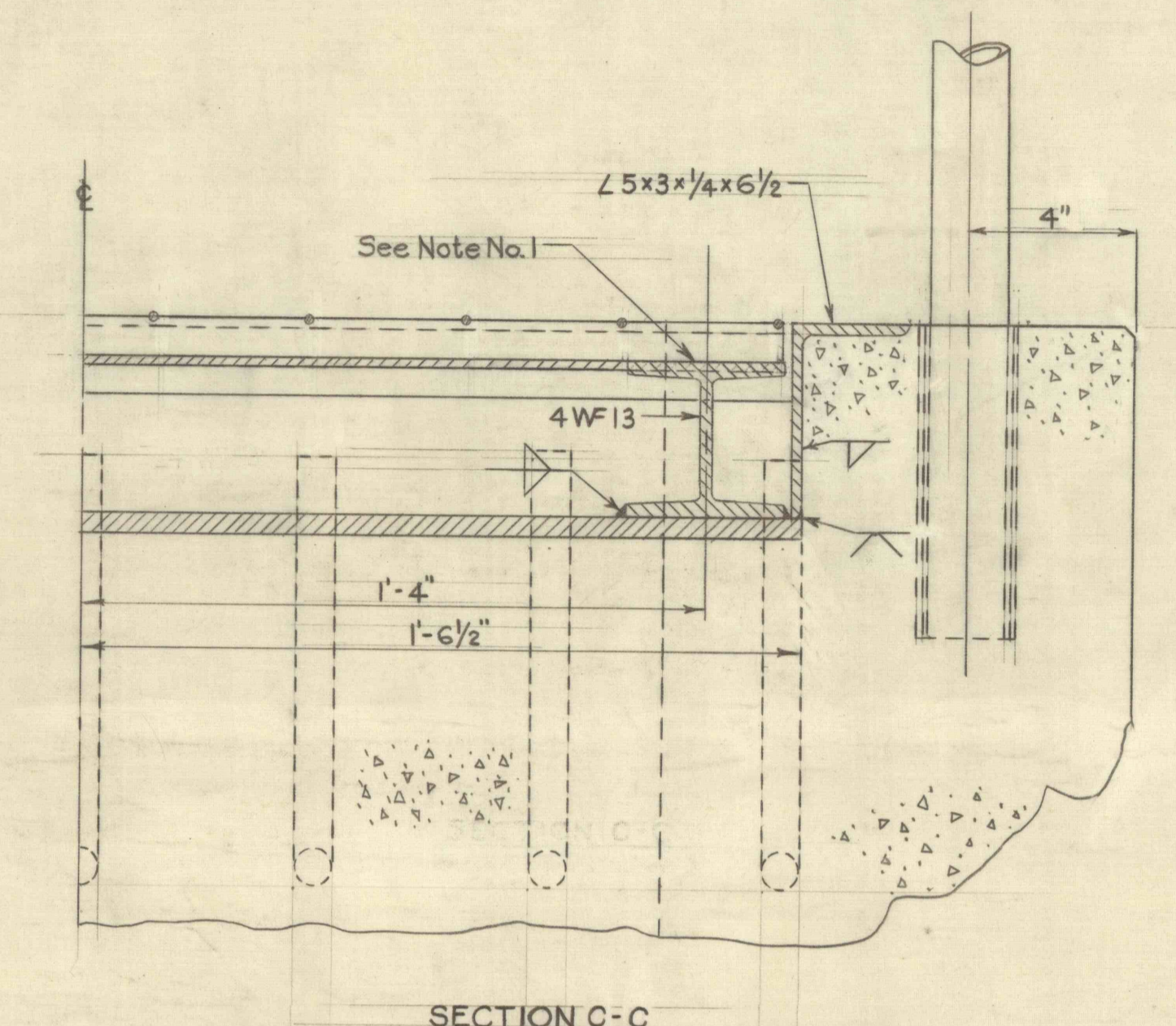


**SECTION A-A**

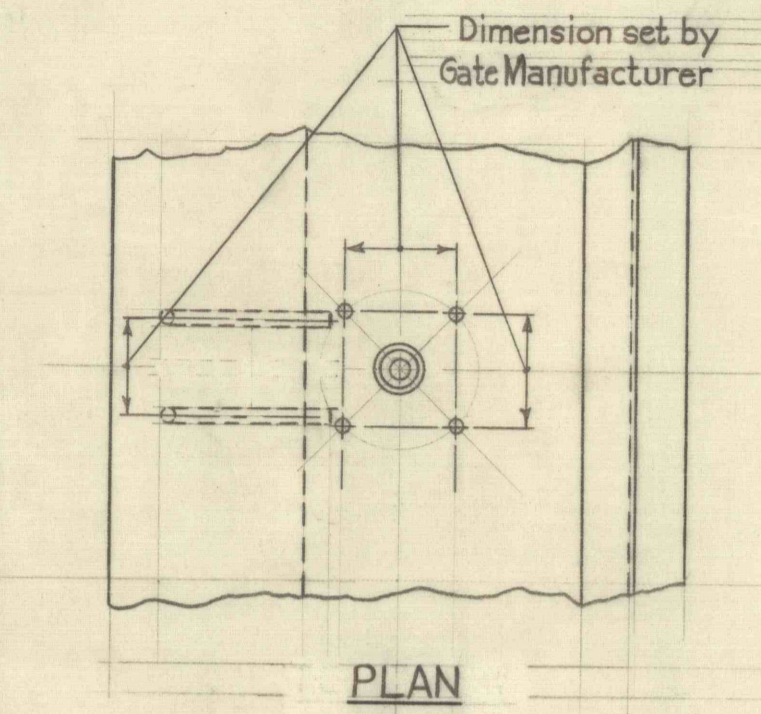


**SECTION B-B**

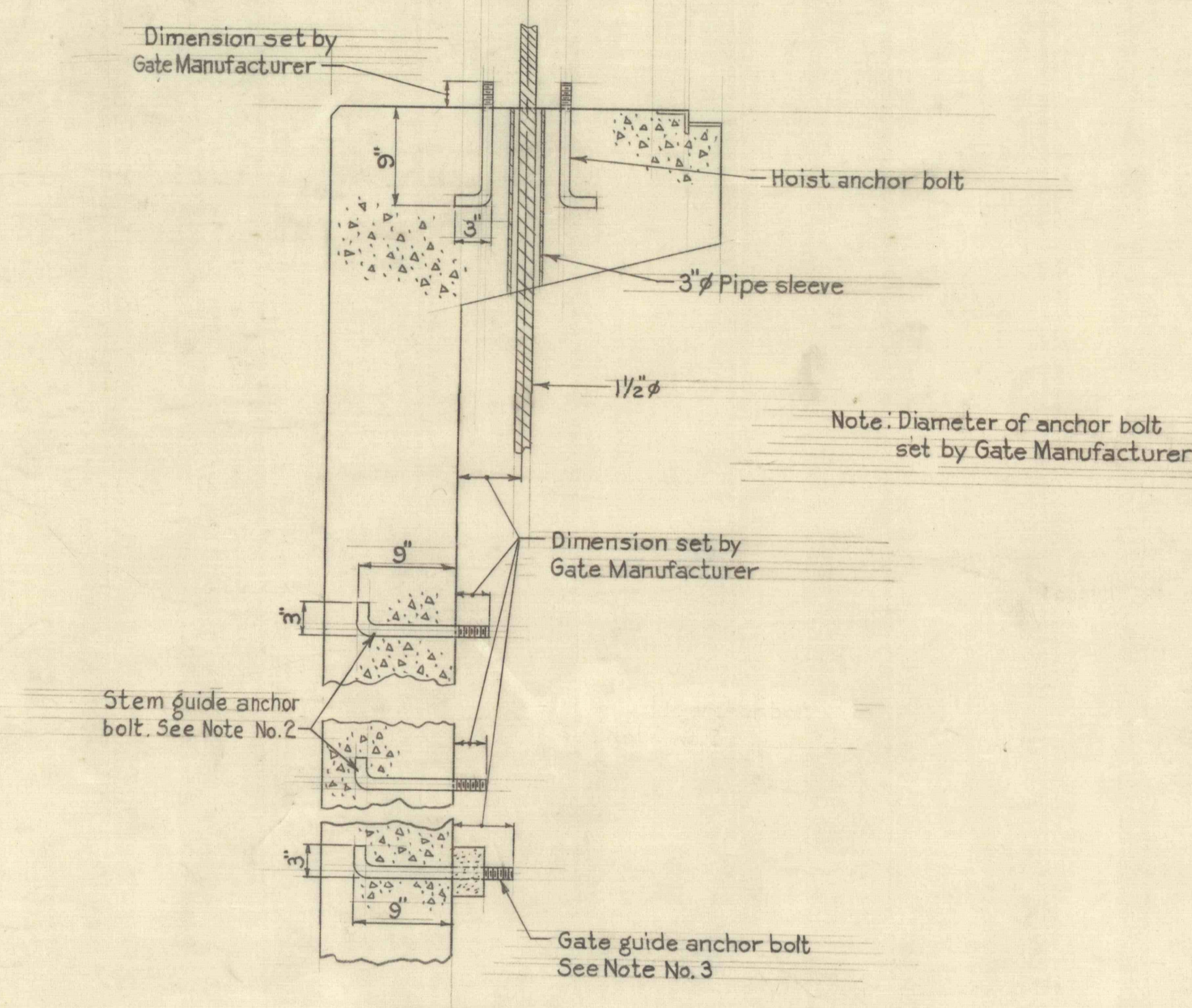
**WALKWAY DETAILS**  
Scale: 3 in. = 1 ft.



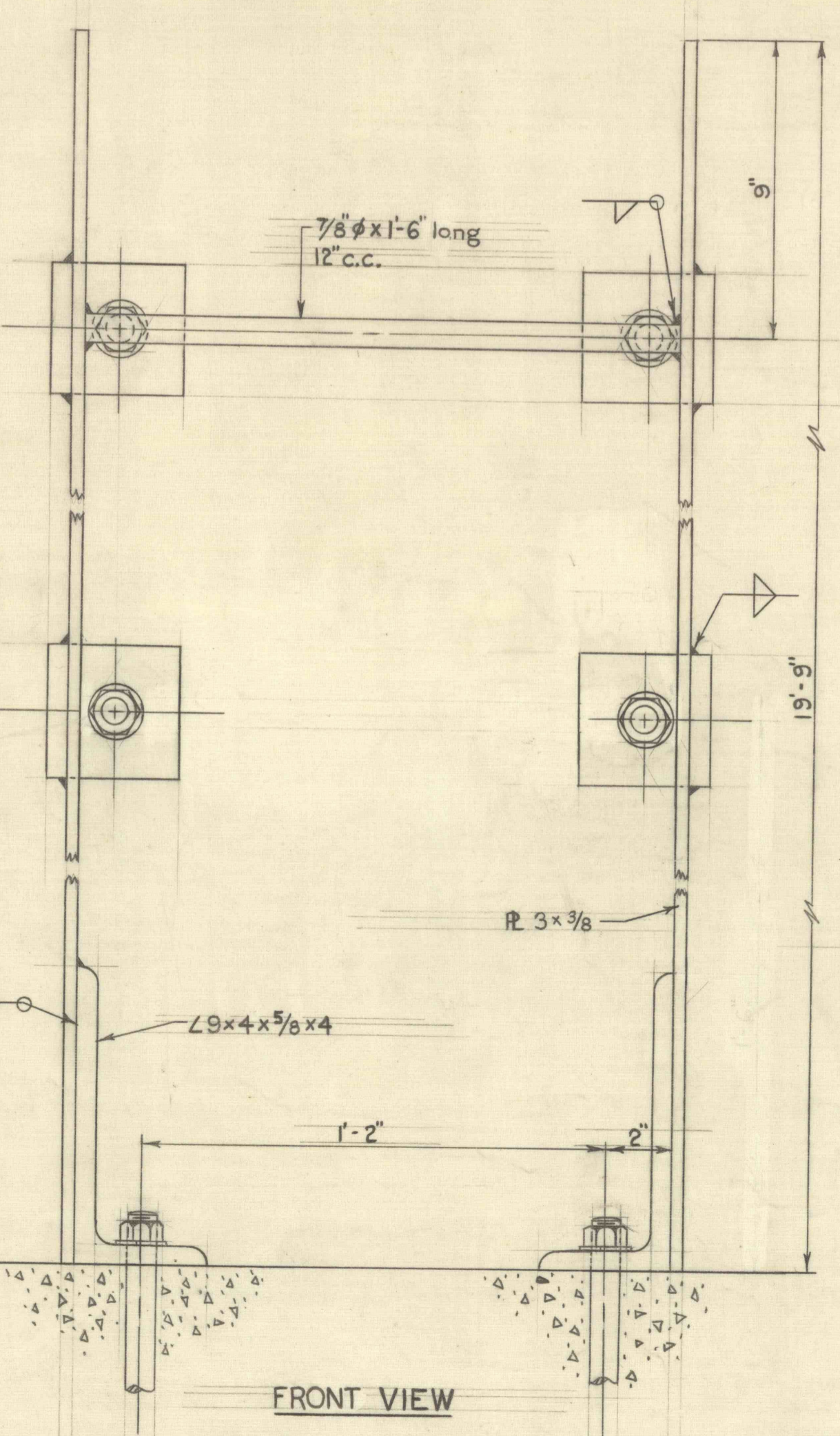
**SECTION C-C**



**PLAN**

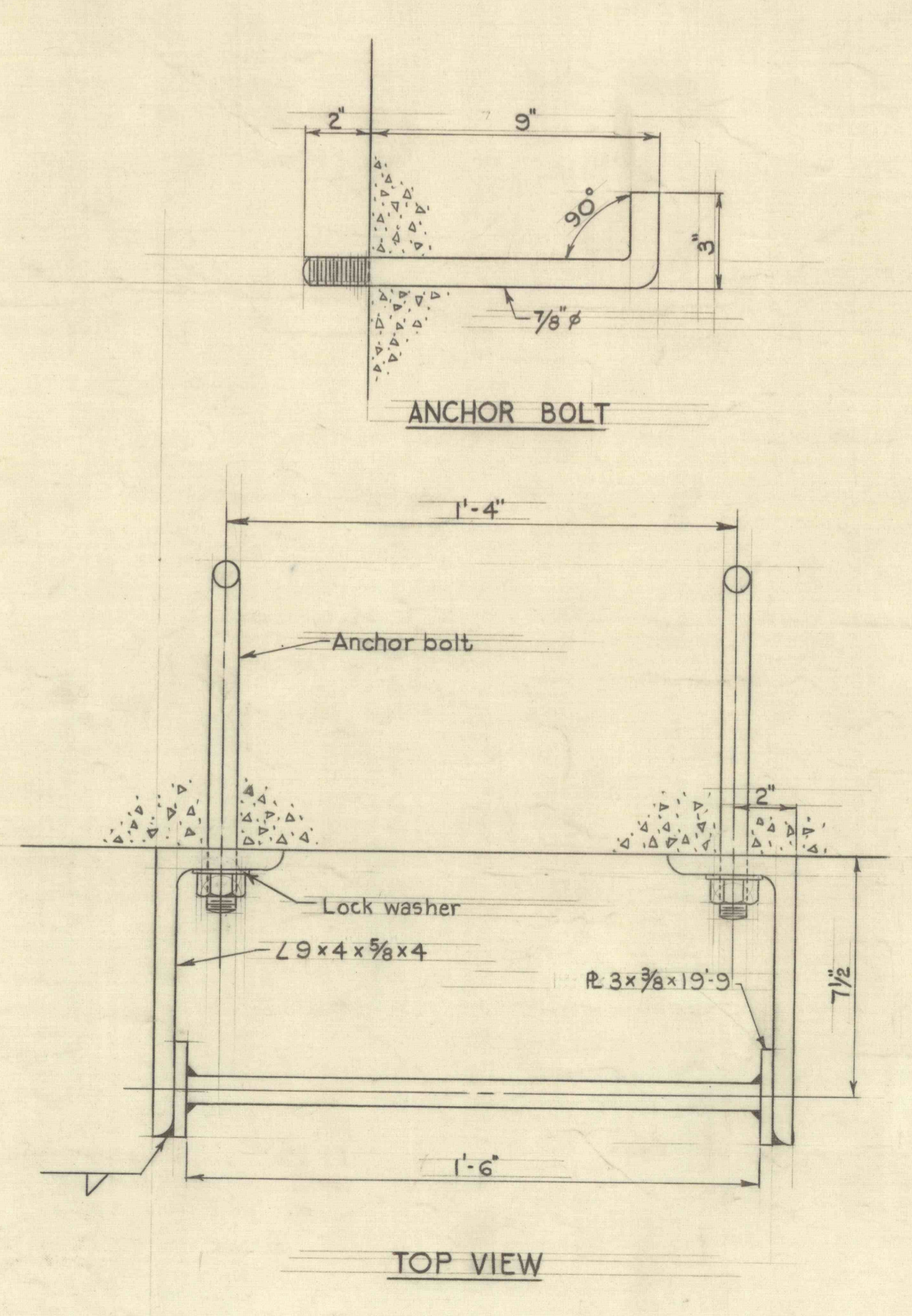


**SECTION**  
**GATE AND HOIST ANCHORAGE**  
Scale: 1 in. = 1 ft.

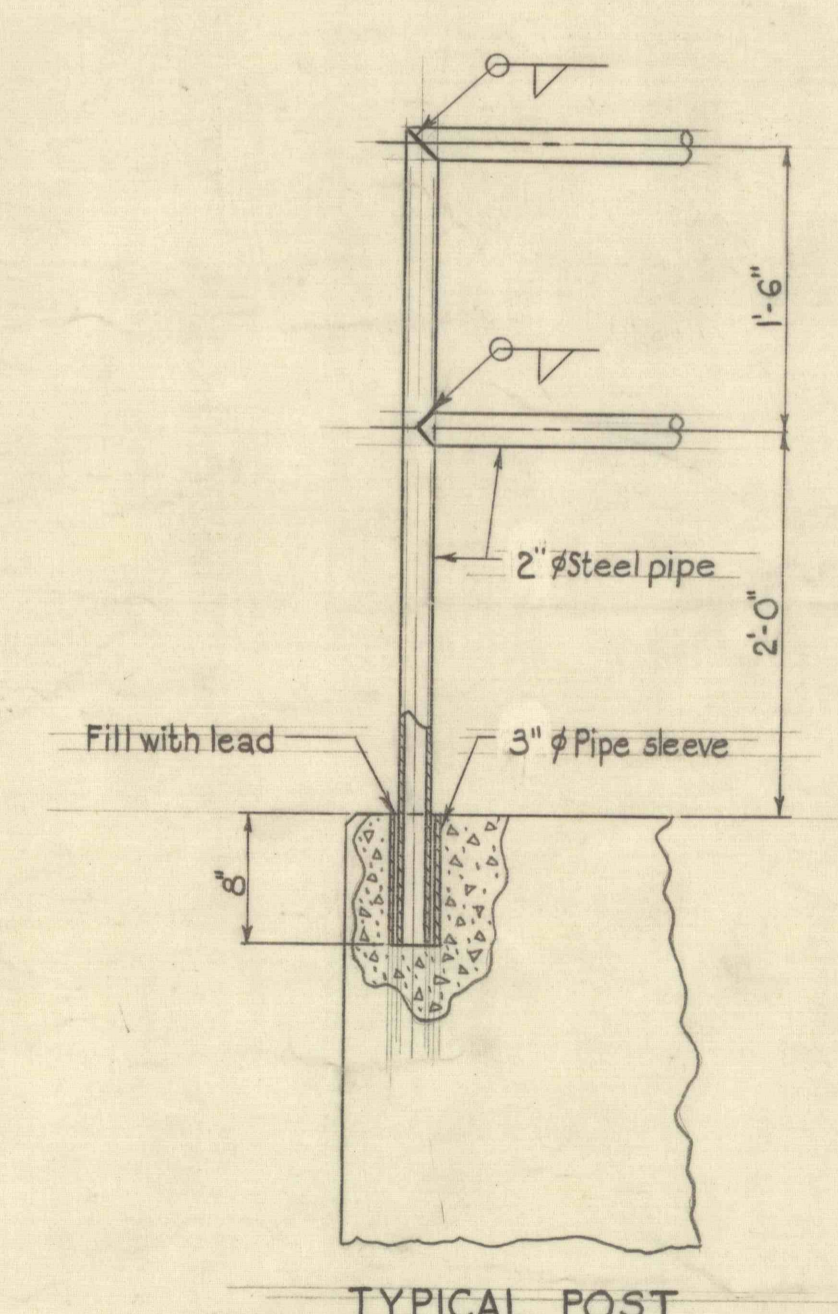


**FRONT VIEW**

**LADDER DETAILS**  
Scale: 3 in. = 1 ft.

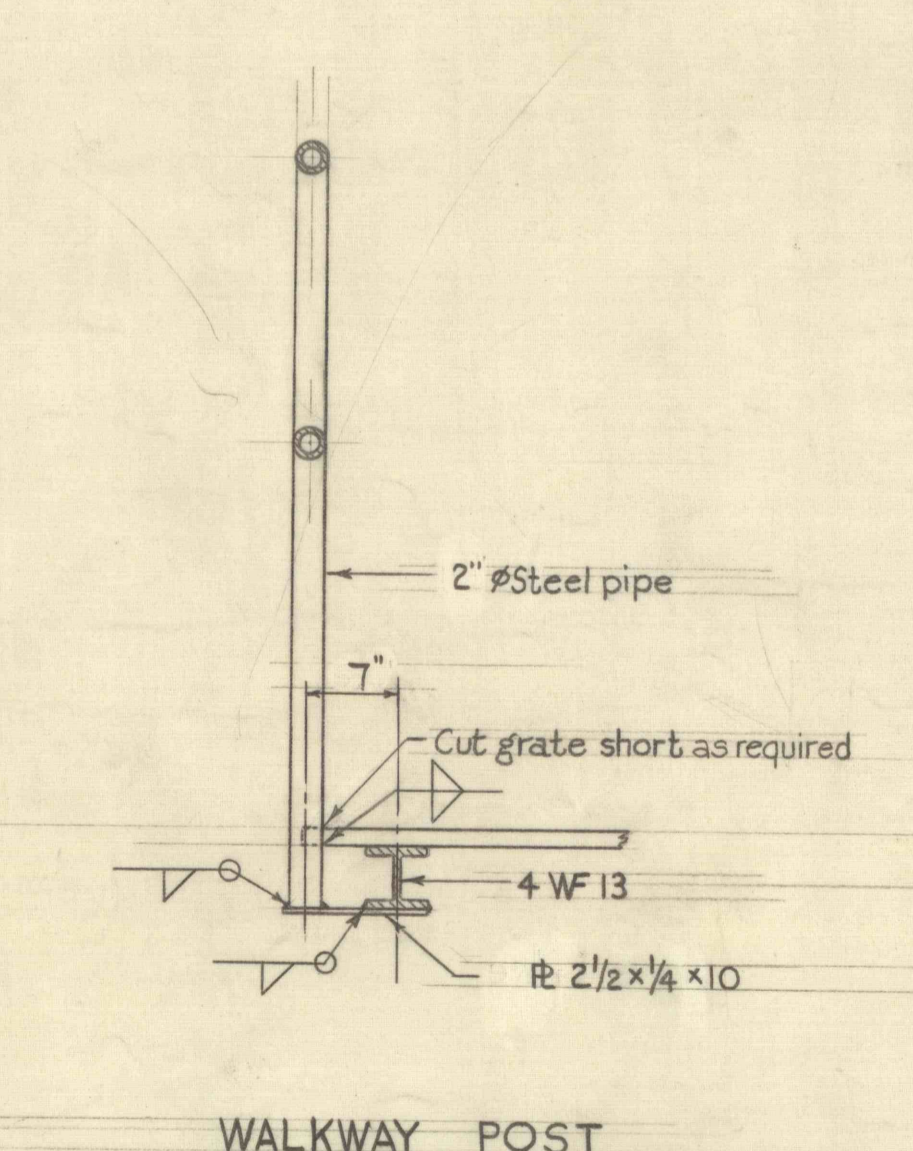


**TOP VIEW**



**TYPICAL POST**

**RAILING DETAILS**  
Scale: 1 in. = 1 ft.



**WALKWAY POST**

- NOTES**
- Grating shall be welded to WF with 1" length weld centered over WF web.
  - Stem guides shall be set at El. 584' and 591' to support 4 way adjustable stem guide.
  - Grout or steel spacer shall be placed from face of wall to back of gate guide.
  - Ferrous metal shall receive a shop coat of red lead and two(2) coats of aluminum paint.

Control Manhole and Discharge Channel designed by The Division of Flood Control, Department of Forests and Waters in accordance with instructions provided by The Department of Mines and Mineral Industries.

COMMONWEALTH OF PENNSYLVANIA  
DEPARTMENT OF MINES AND MINERAL INDUSTRIES

**OLD FORGE  
MINE DRAINAGE PROJECT**

**MISCELLANEOUS METAL DETAILS**

OLD FORGE - CENTRAL POOL      OLD FORGE, PA.  
LACKAWANNA COUNTY

SUBMITTED \_\_\_\_\_ DATE \_\_\_\_\_  
APPROVED \_\_\_\_\_ DEPUTY SECRETARY \_\_\_\_\_  
SECRETARY \_\_\_\_\_

NO.	DATE	REVISION	REV.	CHK.	APPR.