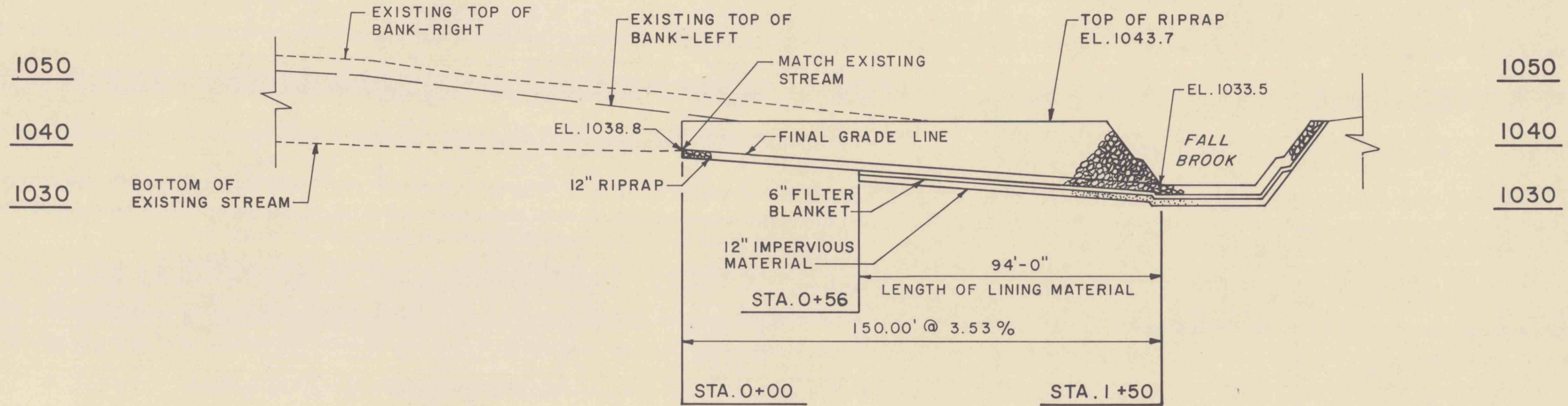
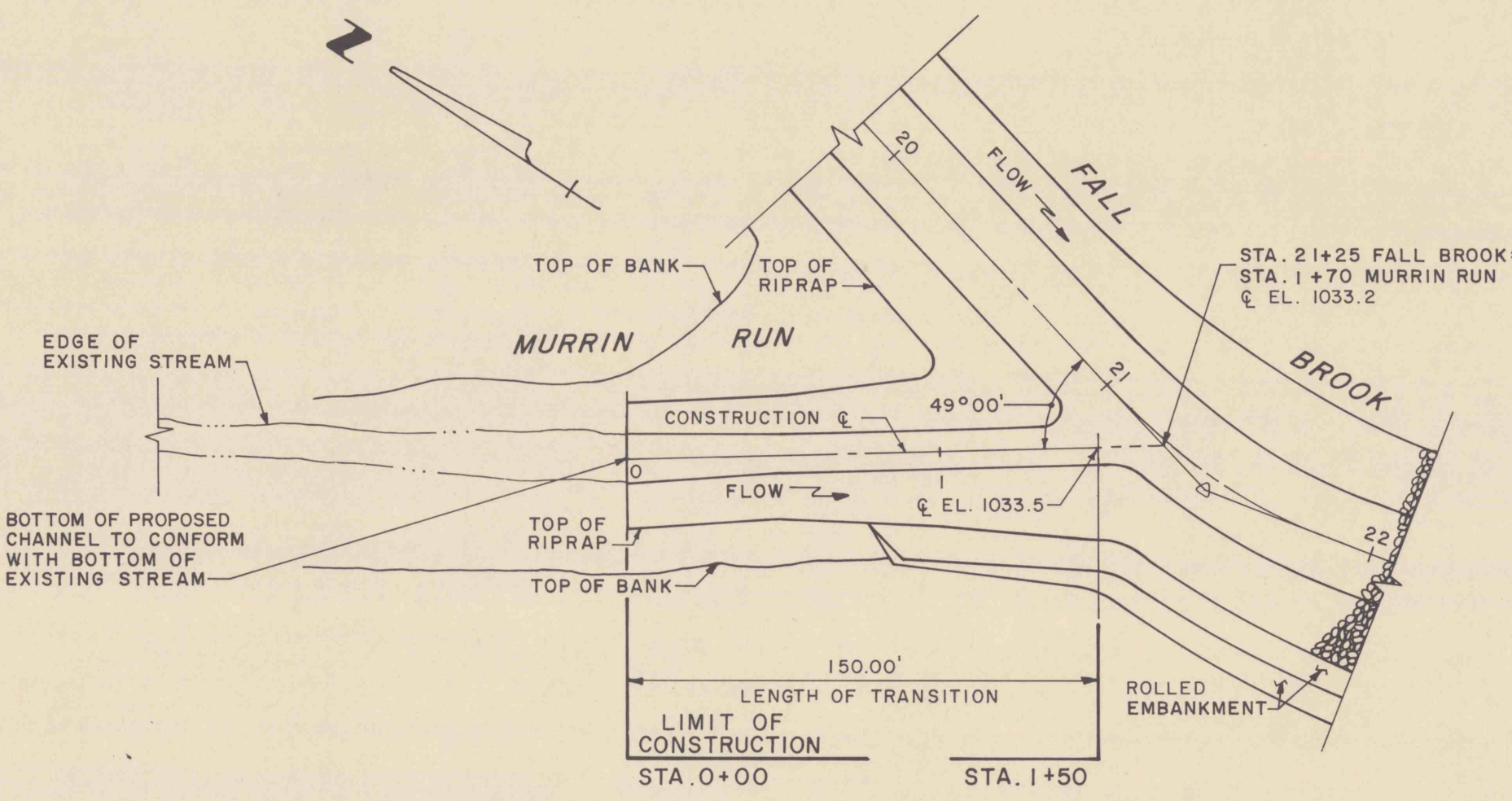
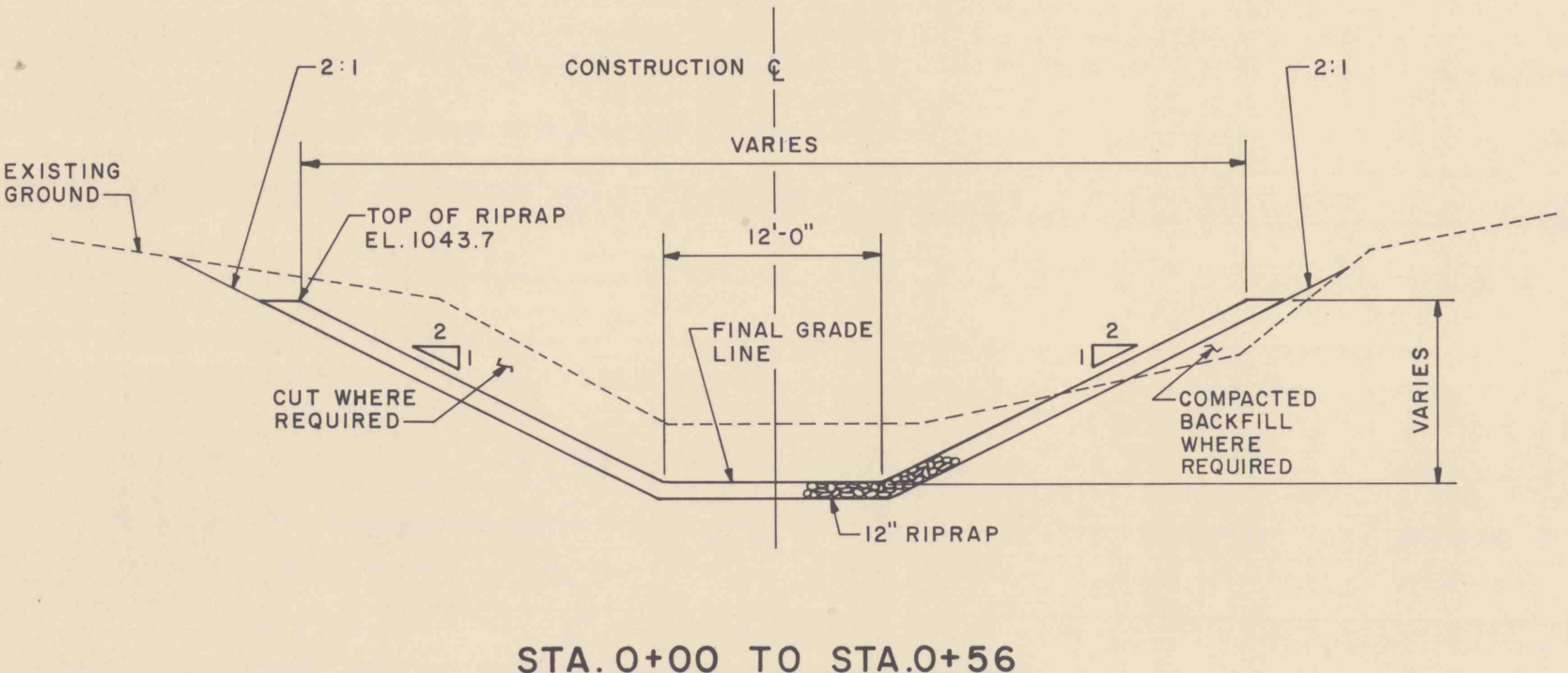
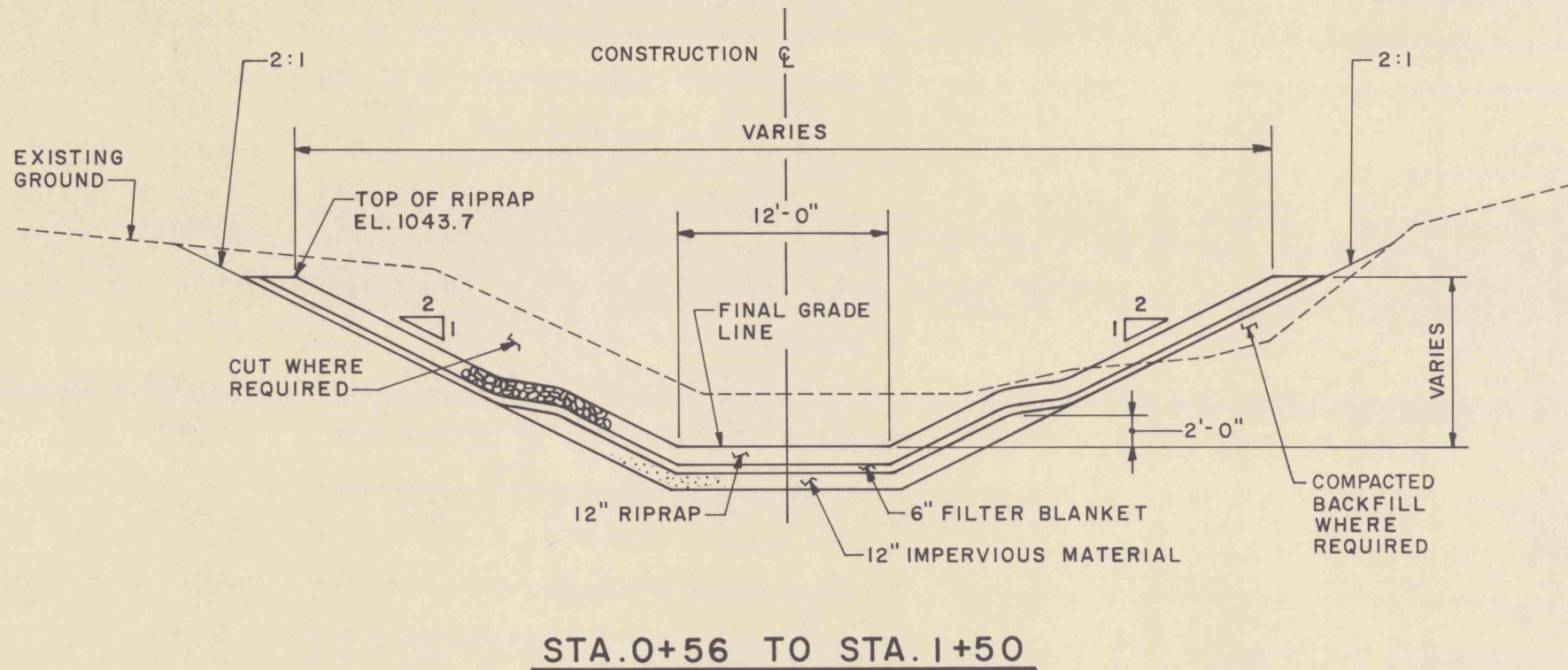


STORM DRAINAGE CHANNEL (A)



TRANSITION-MURRIN RUN (B)



TYPICAL SECTIONS-MURRIN RUN

NO.	DATE	REVISION	APPR.
SUBMITTED			
PROFESSIONAL			
APPROVED			
CHIEF - DIVISION OF MINE RECLAMATION			
APPROVED			
DIRECTOR - BUREAU OF DESIGN			
			REGISTERED PROFESSIONAL ENGINEER
			DATE
COMMONWEALTH OF PENNSYLVANIA			
DEPARTMENT OF ENVIRONMENTAL RESOURCES			
OFFICE OF RESOURCES MANAGEMENT			
CONTRACT NO. SL 139-1-6-101.1			
MINE DRAINAGE POLLUTION ABATEMENT			
FALL BROOK			
LACKAWANNA RIVER WATERSHED			
LACKAWANNA COUNTY			
PENNSYLVANIA			
GANNETT FLEMING CORDDY AND CARPENTER, INC.			
Consulting Engineers			
P.O. BOX 1963 HARRISBURG, PA			
MISCELLANEOUS DETAILS			
DRAWN BY	DATE	DRAWING NO.	
R.C.L.	MAY, 1977		
CHECKED BY	SCALE		
D.J.B.	AS SHOWN		