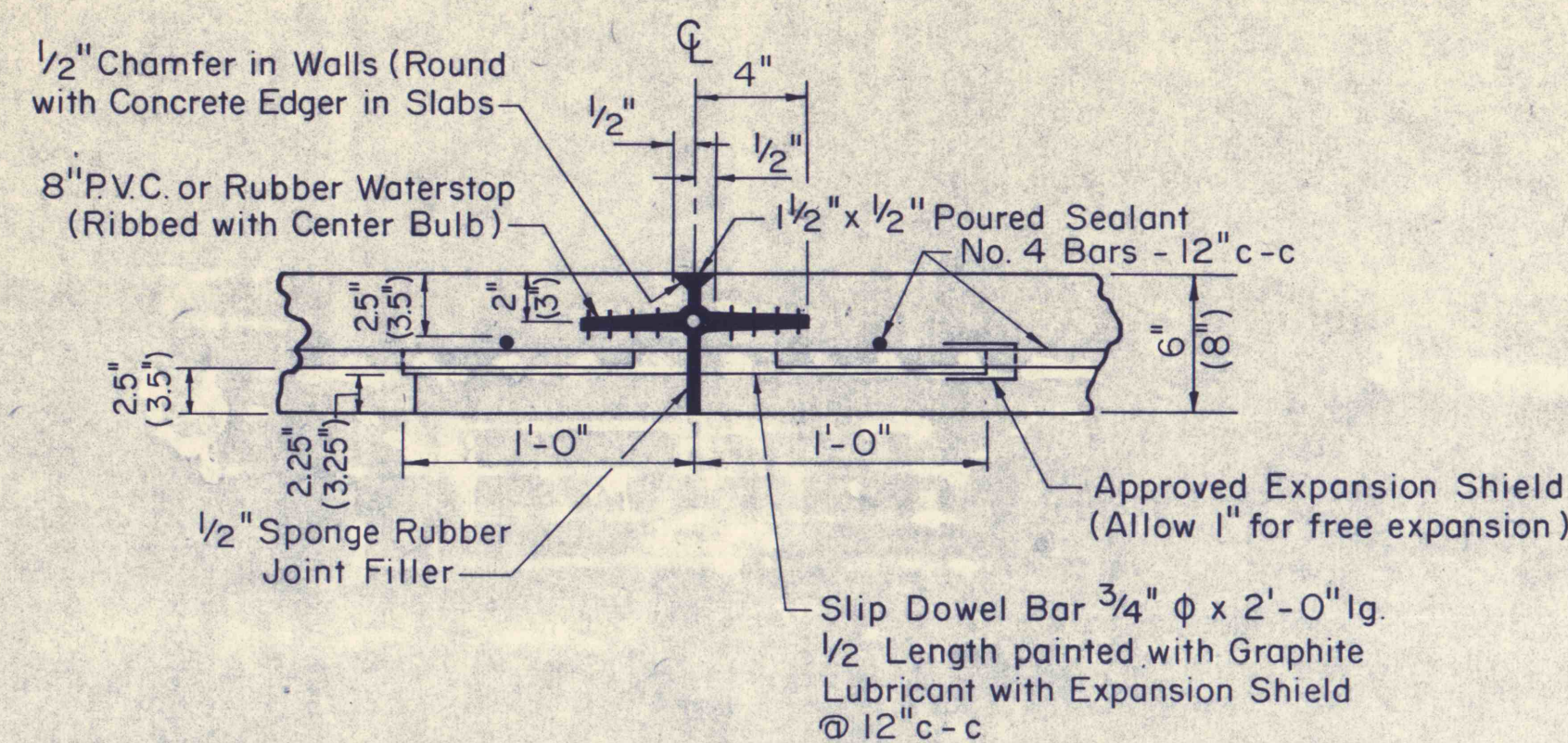
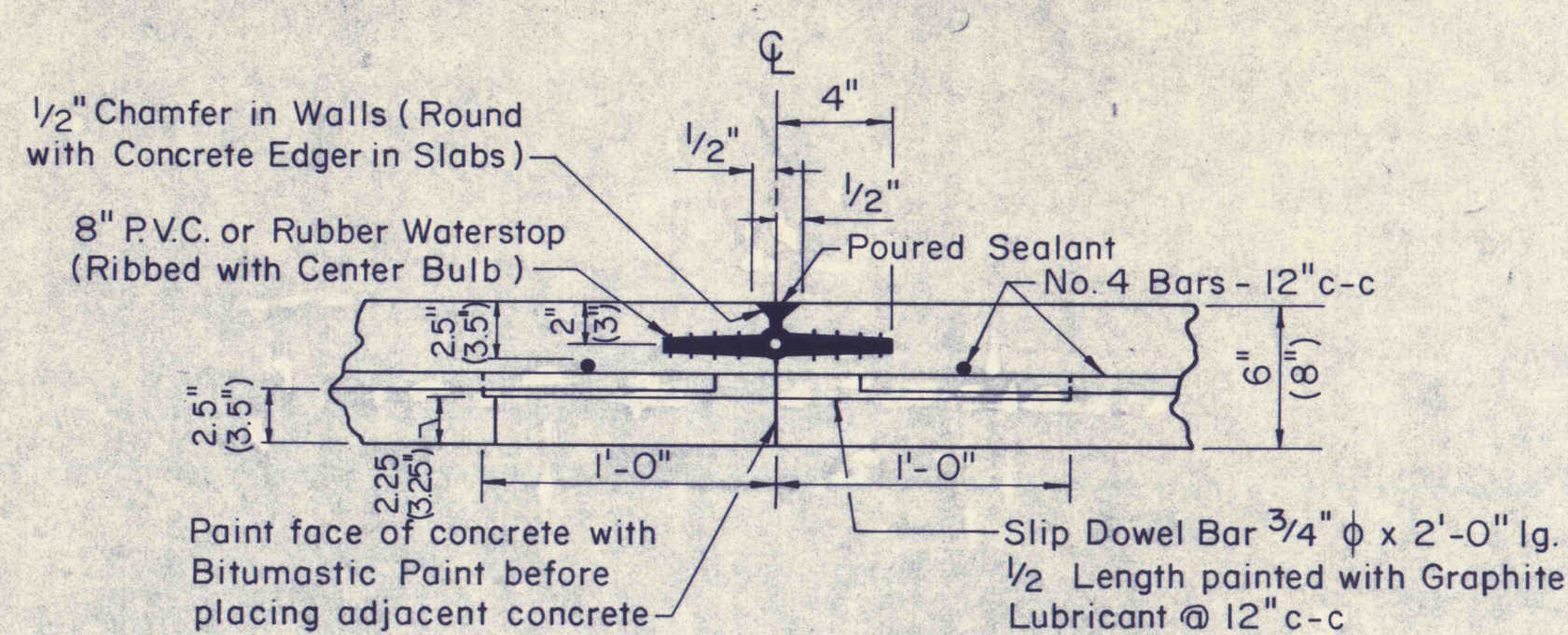


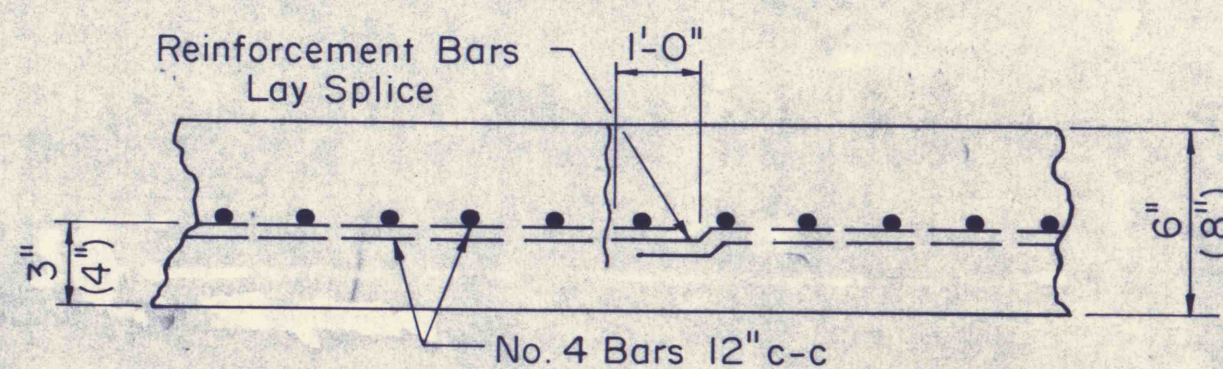
NOTE: Dimensions in () refer to bottom of channel



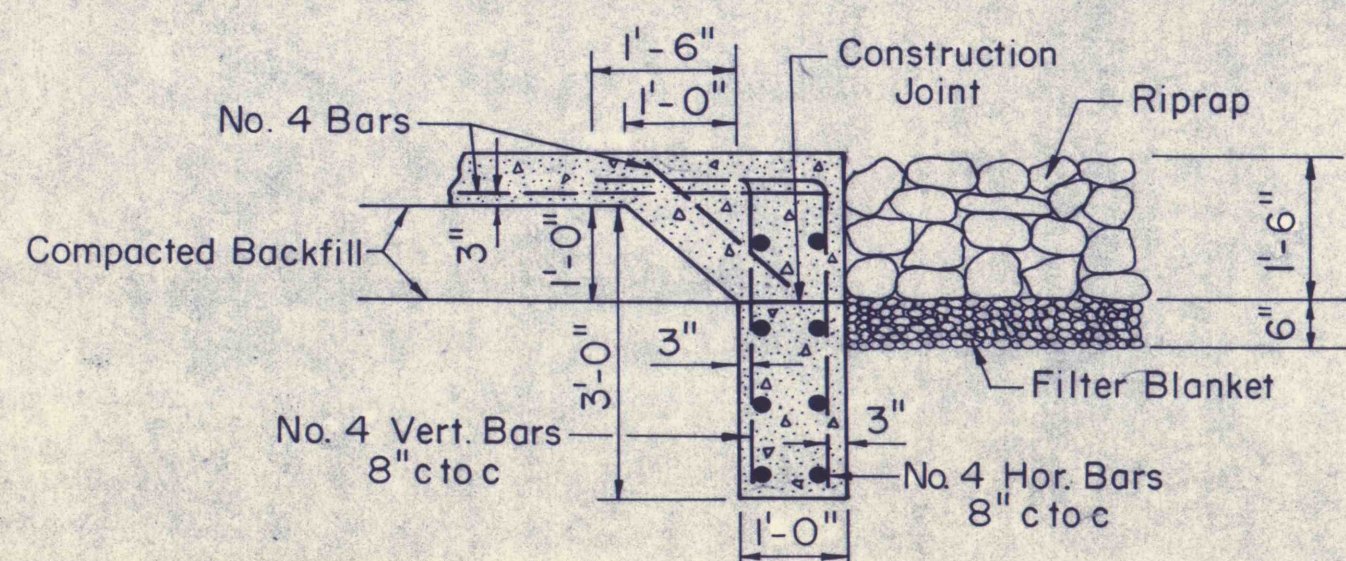
TYPICAL DETAIL - EXPANSION JOINT
 NOT TO SCALE
 MAXIMUM SPACING - 90'



TYPICAL DETAIL - CONTRACTION JOINT
 NOT TO SCALE
 MAXIMUM SPACING - 30'

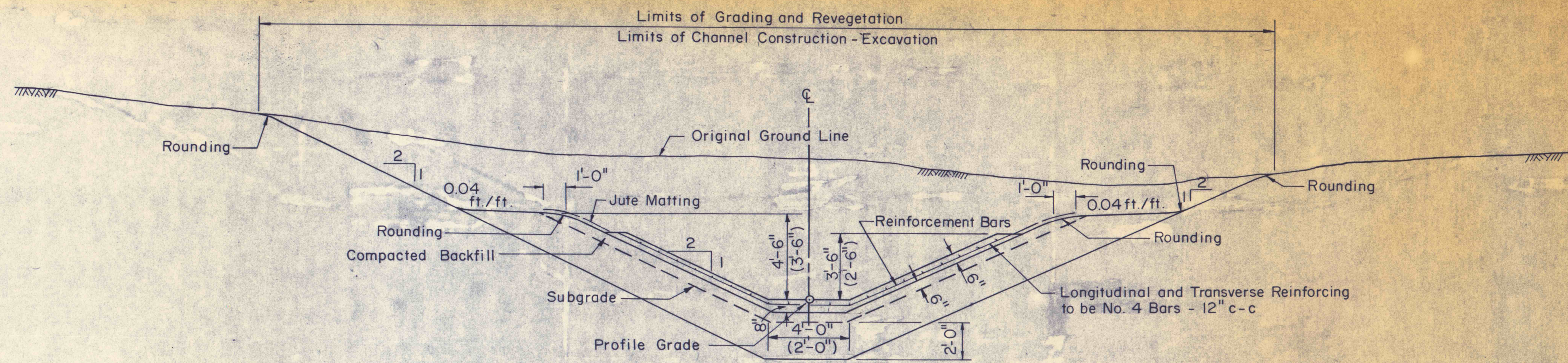


TYPICAL DETAIL - CONSTRUCTION JOINT
 NOT TO SCALE

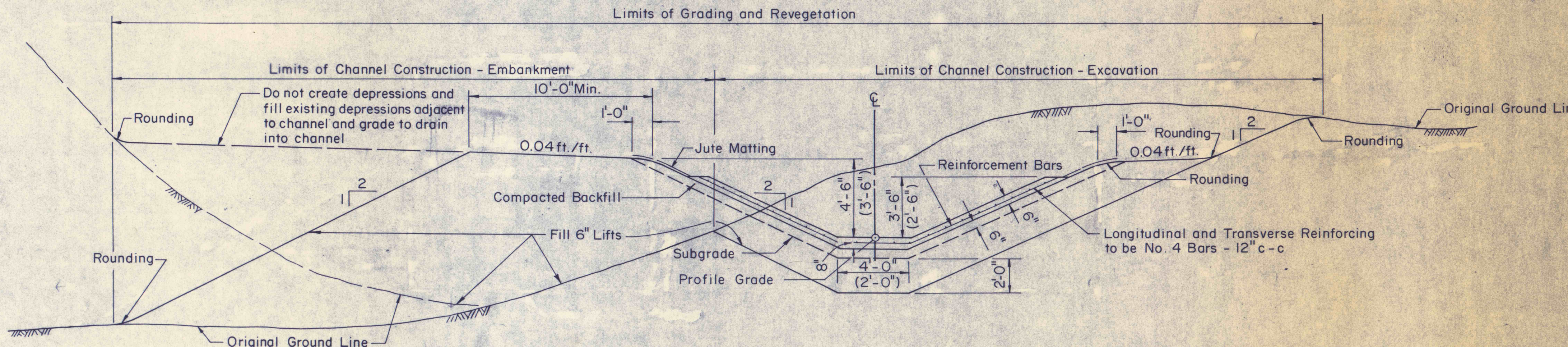


TYPICAL DETAIL - CUTOFF WALL
 NOT TO SCALE

NOTE: Located at upstream and downstream end of Reinforced Concrete Channel on bottom only.

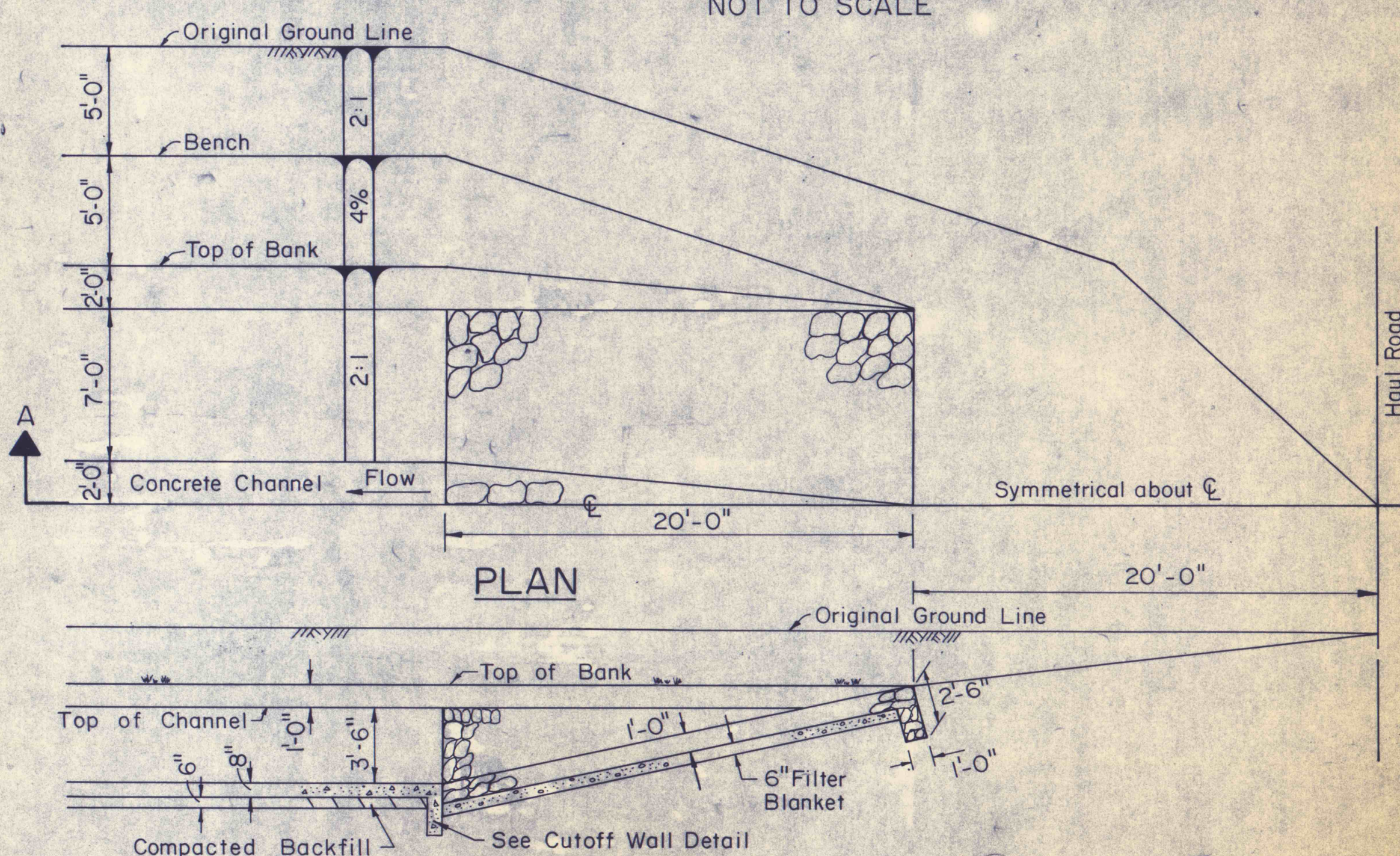


EXCAVATION ONLY
 WEST CHANNEL DIMENSIONS SHOWN
 EAST CHANNEL DIMENSIONS IN ()



EXCAVATION AND EMBANKMENT
 WEST CHANNEL DIMENSIONS SHOWN
 EAST CHANNEL DIMENSIONS IN ()

TYPICAL SECTION - REINFORCED CONCRETE CHANNEL
 NOT TO SCALE



RIPRAP CHANNEL ENTRANCE

NO	DATE	REVISION	APPR.
SUBMITTED <i>Richard B. Ulp</i>			
APPROVED <i>Robert A. Ransier</i> CHIEF - DIVISION OF MINE RECLAMATION			
APPROVED <i>Anthony Erdman</i> DIRECTOR - BUREAU OF DESIGN			
COMMONWEALTH OF PENNSYLVANIA DEPARTMENT OF ENVIRONMENTAL RESOURCES OFFICE OF RESOURCES MANAGEMENT			
PROJECT NO. SL 113-5-1			
MINE DRAINAGE POLLUTION ABATEMENT COAL RUN SHAMOKIN CREEK WATERSHED NORTHUMBERLAND COUNTY, PA.			
ERDMAN, ANTHONY, ASSOCIATES Consulting Engineers Camp Hill, Pa. Rochester, N.Y.			
REINFORCED CONCRETE CHANNEL DETAILS			
DRAWN BY GMS	DATE 5-9-75	DRAWING NO. 25 of 28	
CHECKED BY DHC	SCALE AS SHOWN		