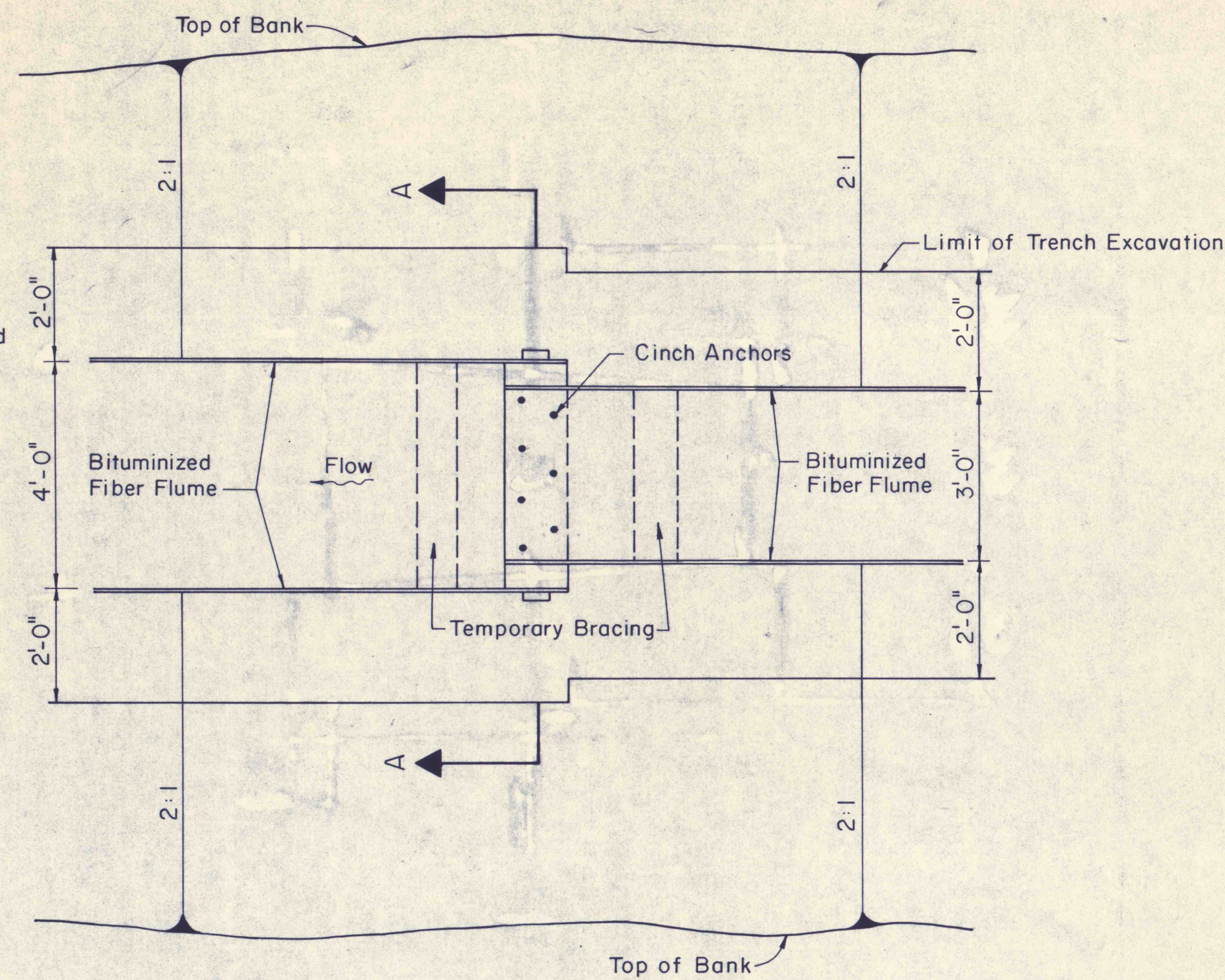
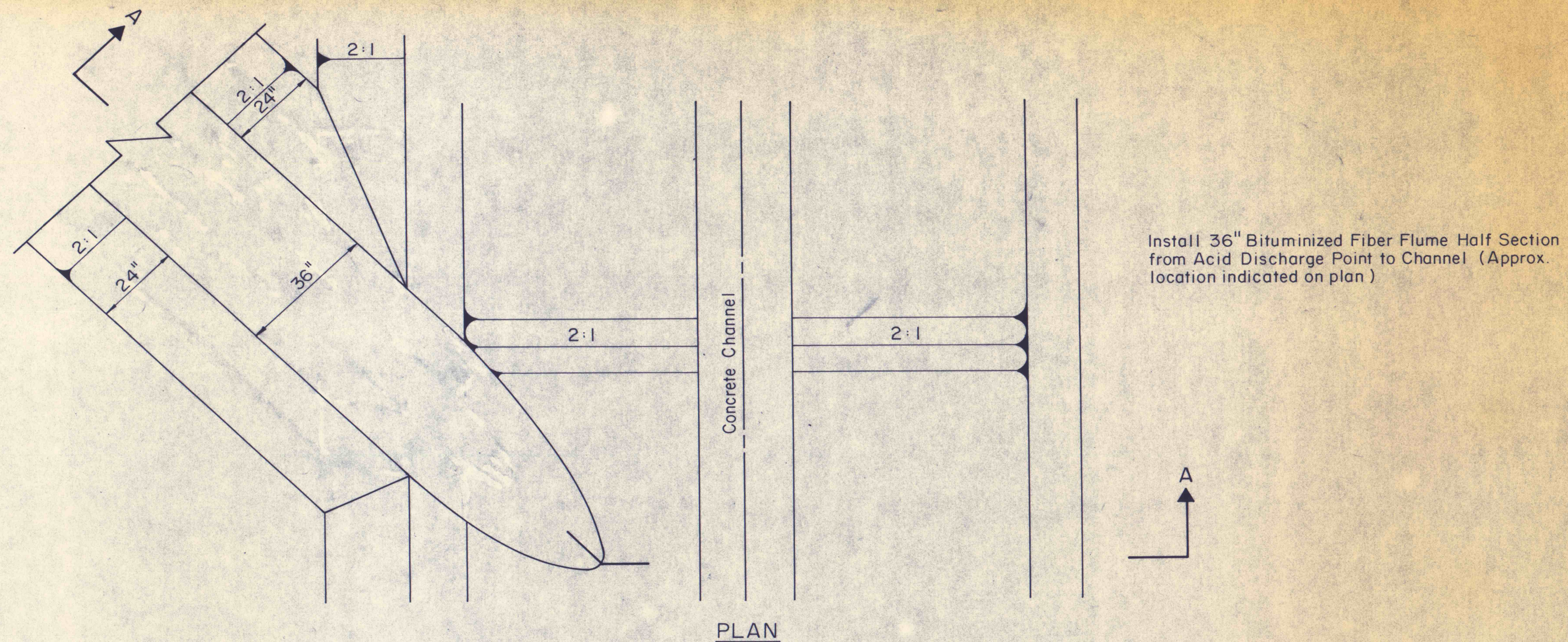


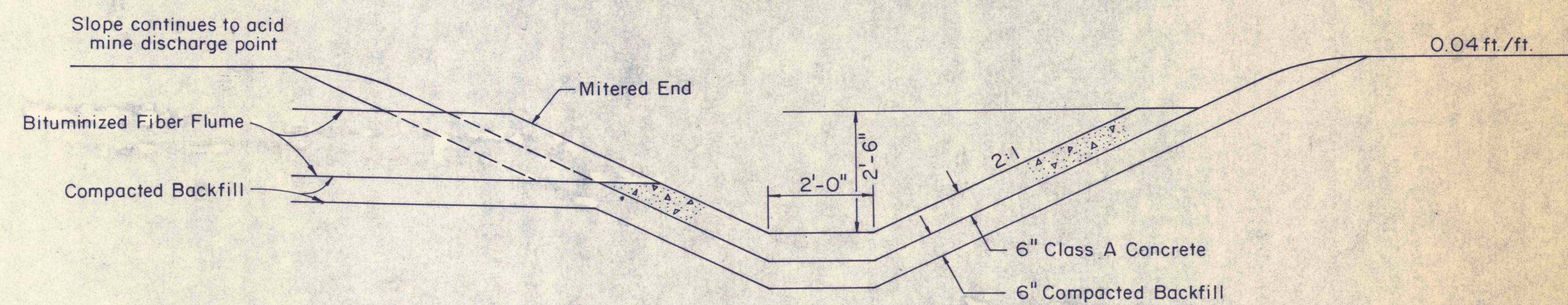
Note: See Concrete Paved Swale Flume Entrance Detail for Cinch Anchors Spacing.



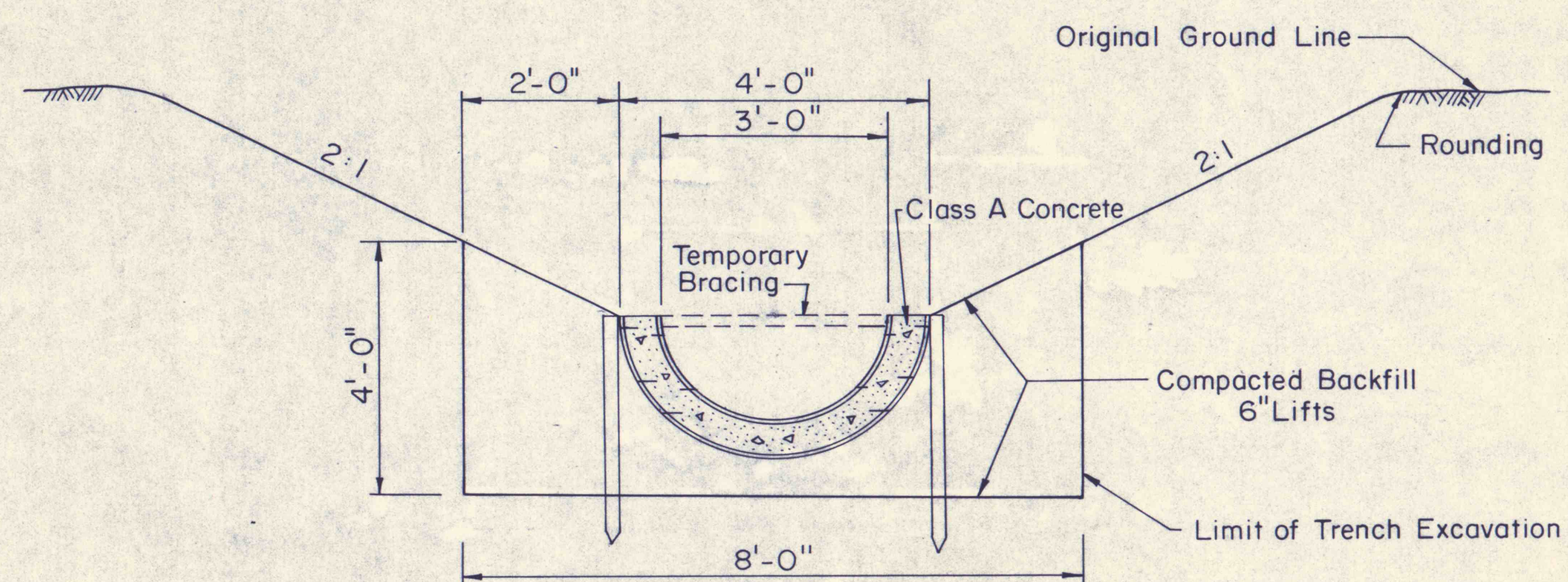
PLAN



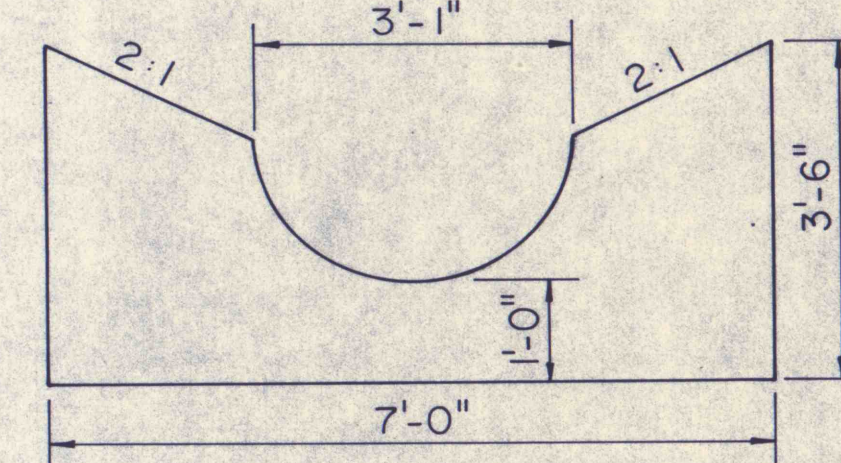
Install 36" Bituminized Fiber Flume Half Section from Acid Discharge Point to Channel (Approx. location indicated on plan)



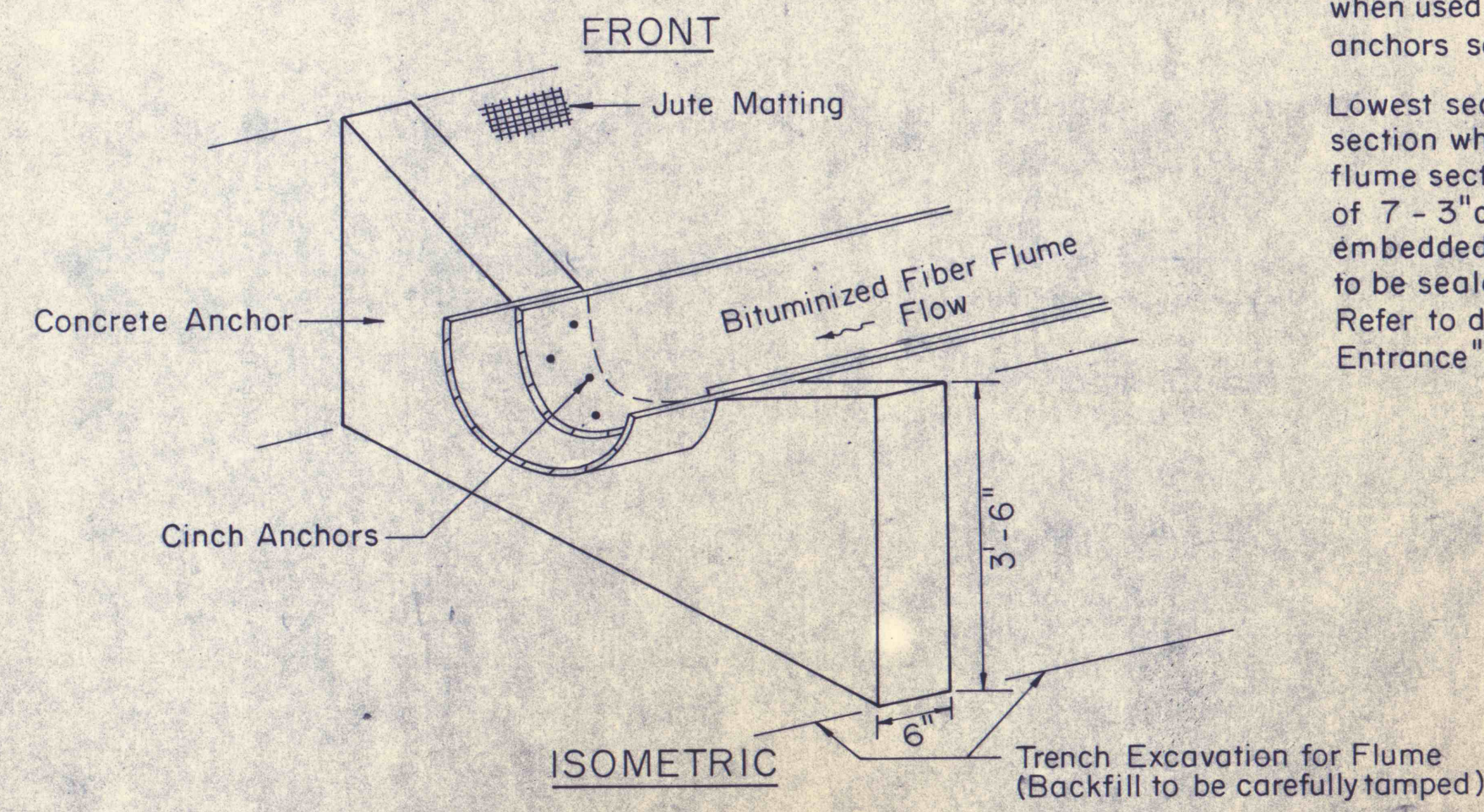
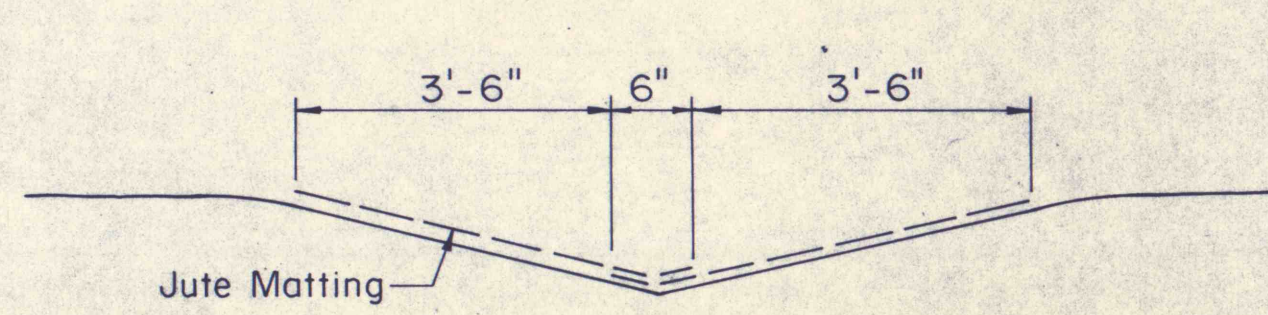
FLUME ENTRANCE TO CONCRETE CHANNEL FROM ACID DISCHARGE POINT  
NOT TO SCALE



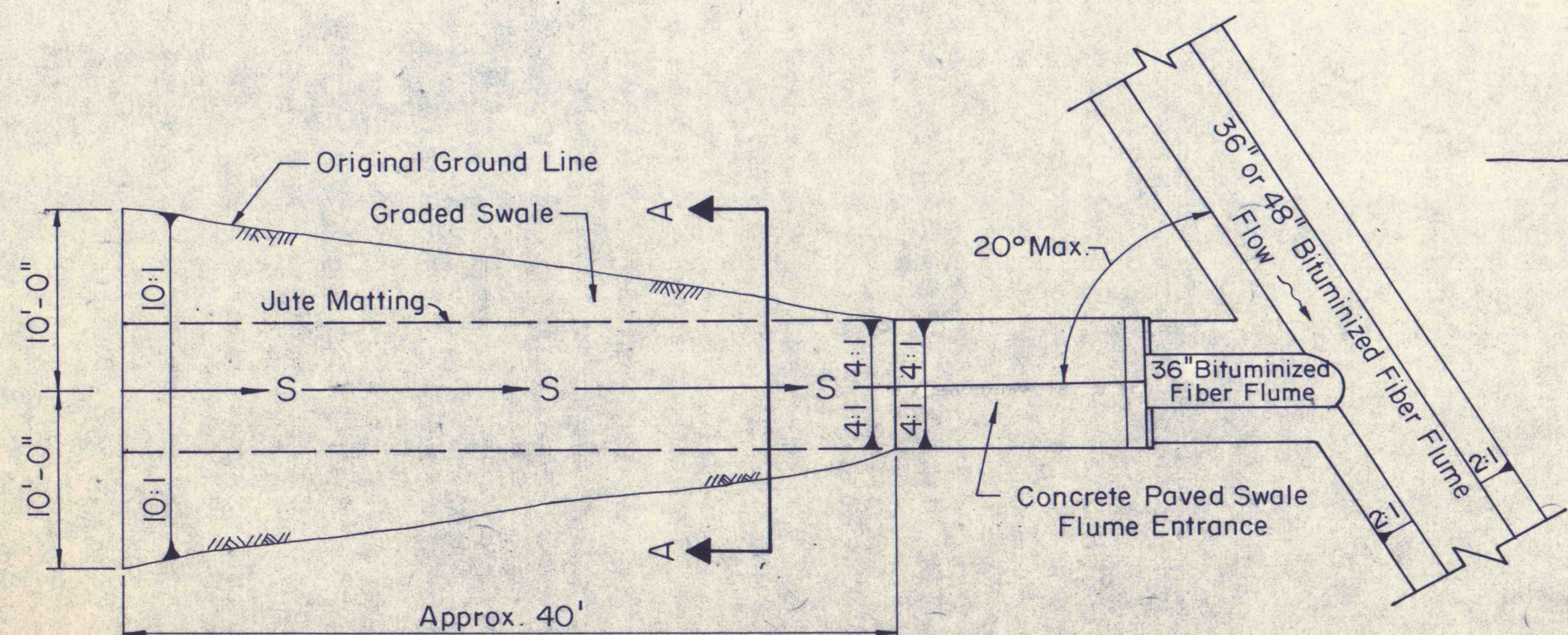
BITUMINIZED FIBER FLUME TRANSITION  
NOT TO SCALE



NOTES:  
Anchors to be used where slope of flume is 20% or greater. Anchors will be installed at ends and midsection of flume sections when used. Stakes will be needed between anchors so 5'-0" spacing will be maintained.  
Lowest section to be overlapped 6" by next section where anchors are used. Overlapped flume sections to be spliced with minimum of 7-3" cinch anchors or expansion bolts embedded in concrete, staggered rows. Joint to be sealed with a mastic sealing compound. Refer to detail of "Concrete Paved Swale Flume Entrance" for spacing of cinch anchors.



BITUMINIZED FIBER FLUME CONCRETE ANCHOR  
NOT TO SCALE



SWALE ENTRANCE TO BITUMINIZED FIBER FLUME  
NOT TO SCALE

NO	DATE	REVISION	APPR
SUBMITTED			
APPROVED			
APPROVED			
COMMONWEALTH OF PENNSYLVANIA DEPARTMENT OF ENVIRONMENTAL RESOURCES OFFICE OF RESOURCES MANAGEMENT <b>PROJECT NO. SL 113-5-1</b> MINE DRAINAGE POLLUTION ABATEMENT COAL RUN SHAMOKIN CREEK WATERSHED NORTHUMBERLAND COUNTY, PA. ERDMAN, ANTHONY, ASSOCIATES Consulting Engineers Camp Hill, Pa. Rochester, N.Y.			
<b>FIBER FLUME DETAILS</b>			
DRAWN BY	DATE	DRAWING NO.	
GMS	5-9-75	24 of 28	
CHECKED BY	SCALE		
DHC	AS SHOWN		