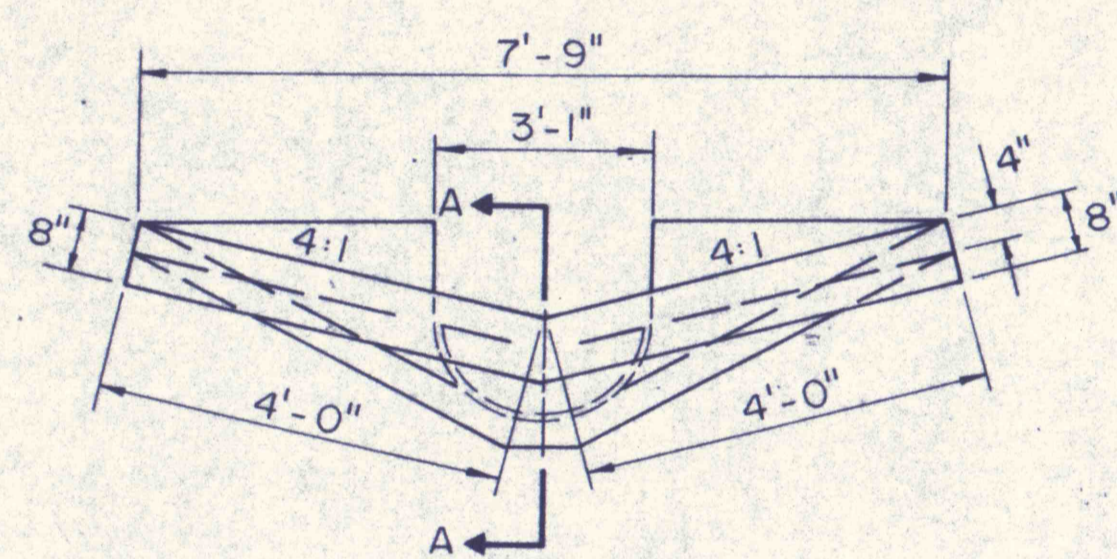
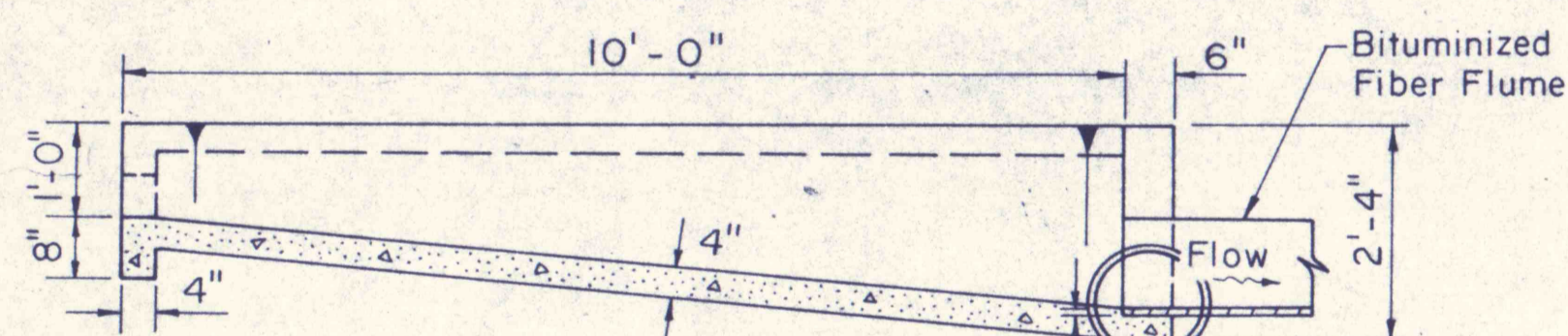


PLAN VIEW



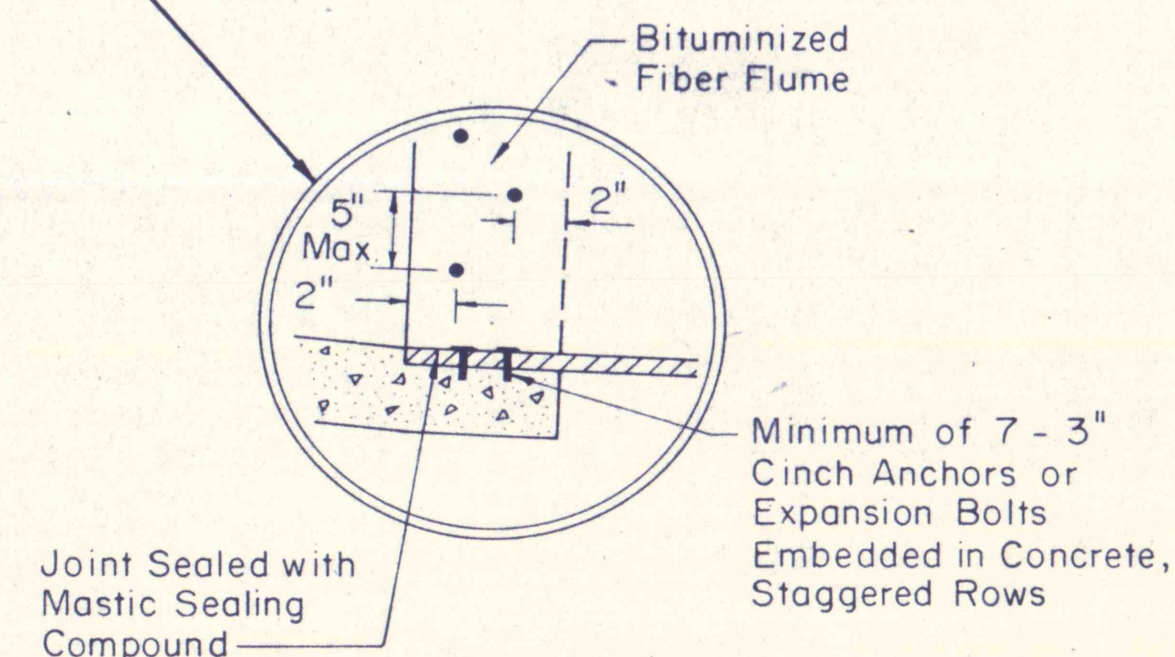
FRONT VIEW



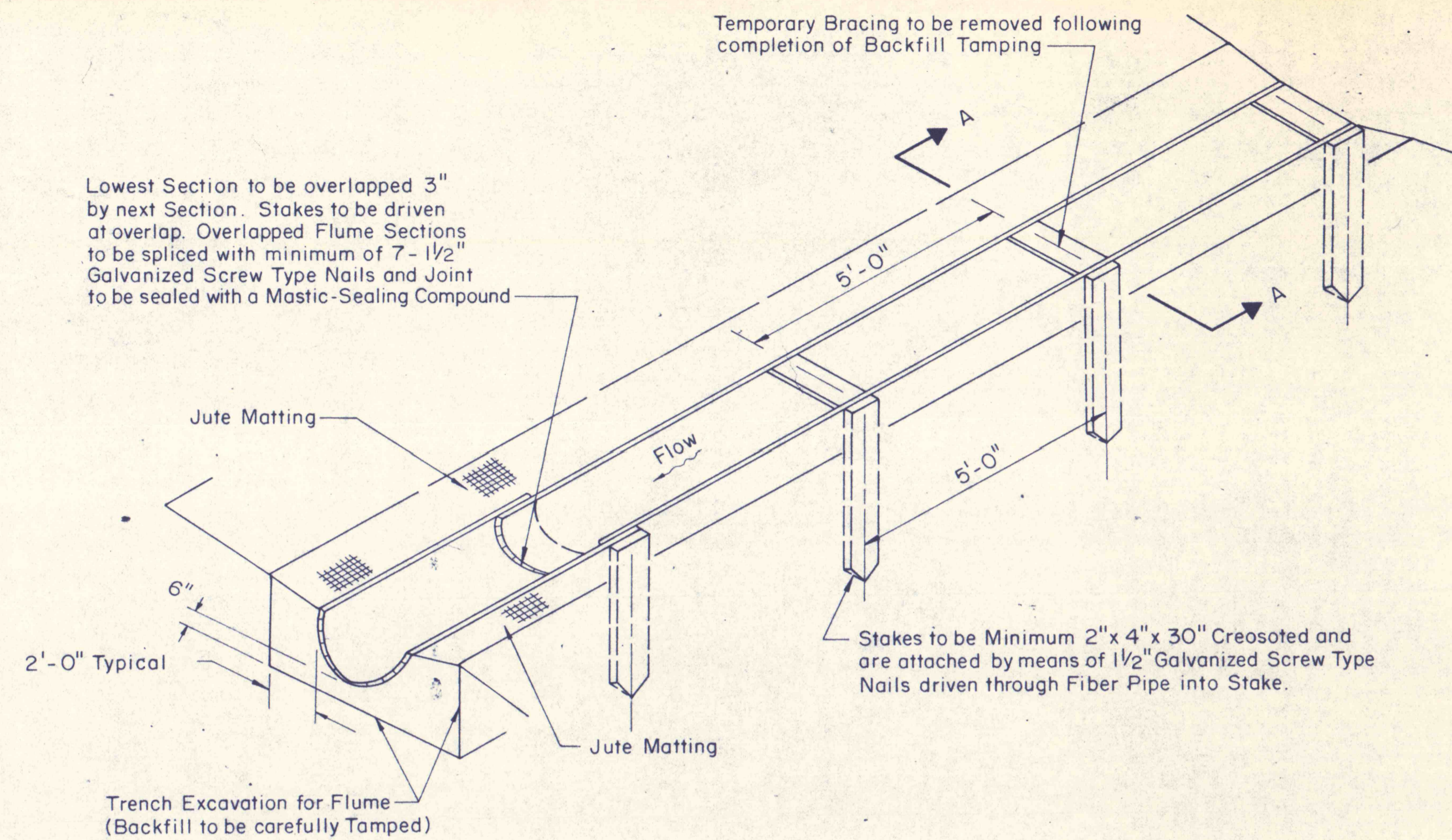
SECTION A-A

CONCRETE PAVED SWALE
FLUME ENTRANCE

SCALE: 1/2" = 1'-0"

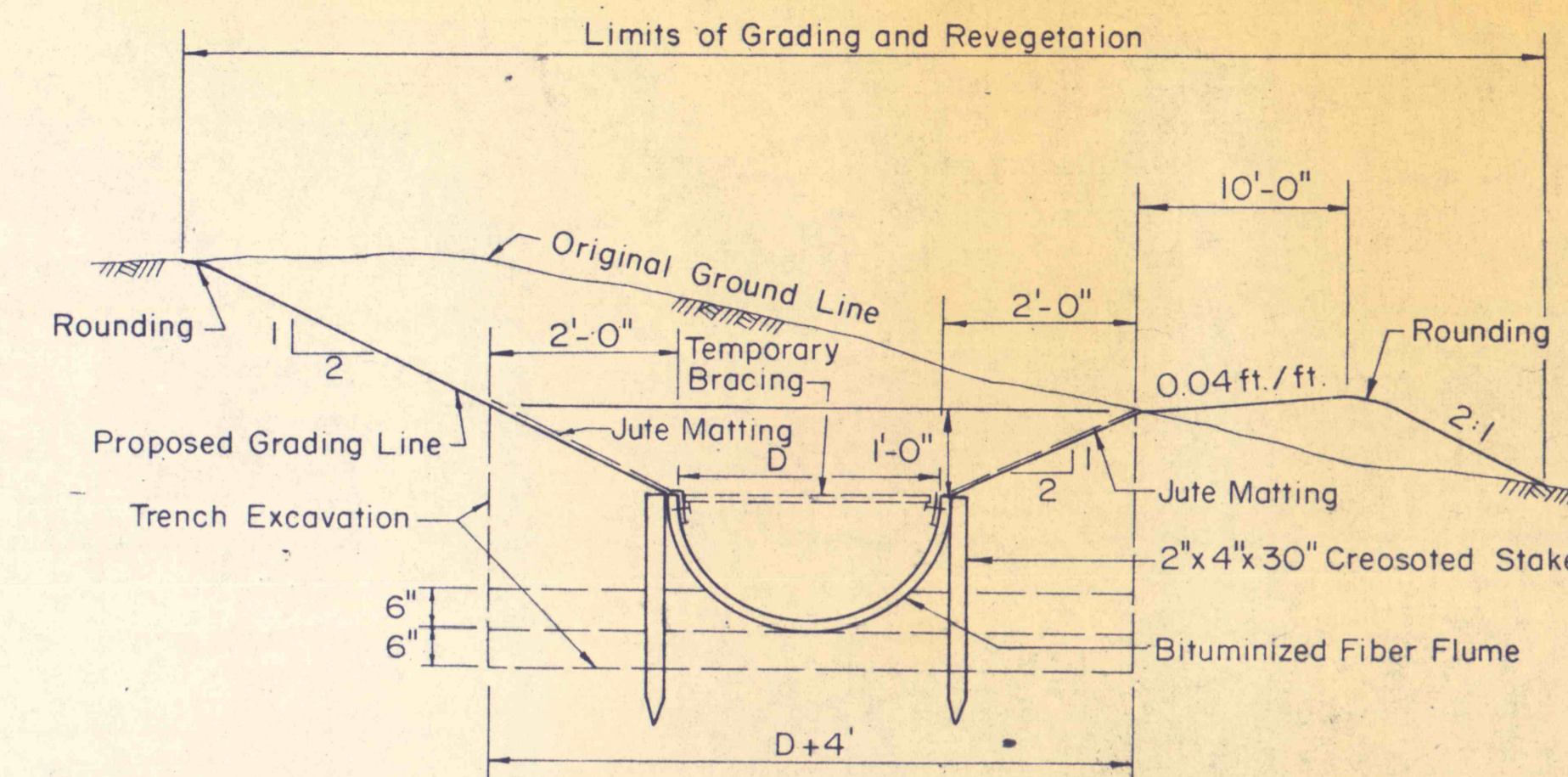


DETAIL
NO SCALE



INSTALLATION OF HALF SECTION BITUMINIZED FIBER FLUME

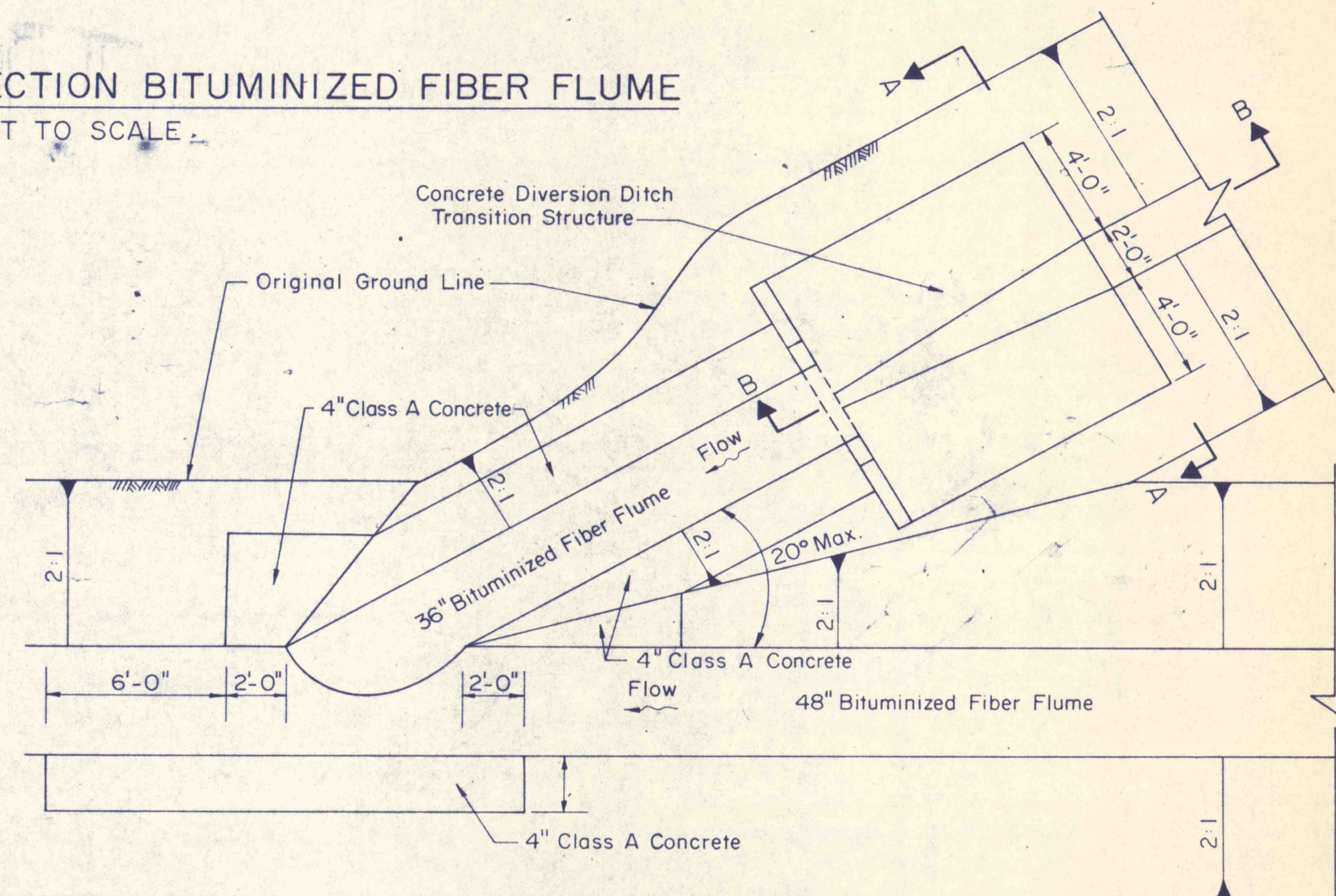
NOT TO SCALE



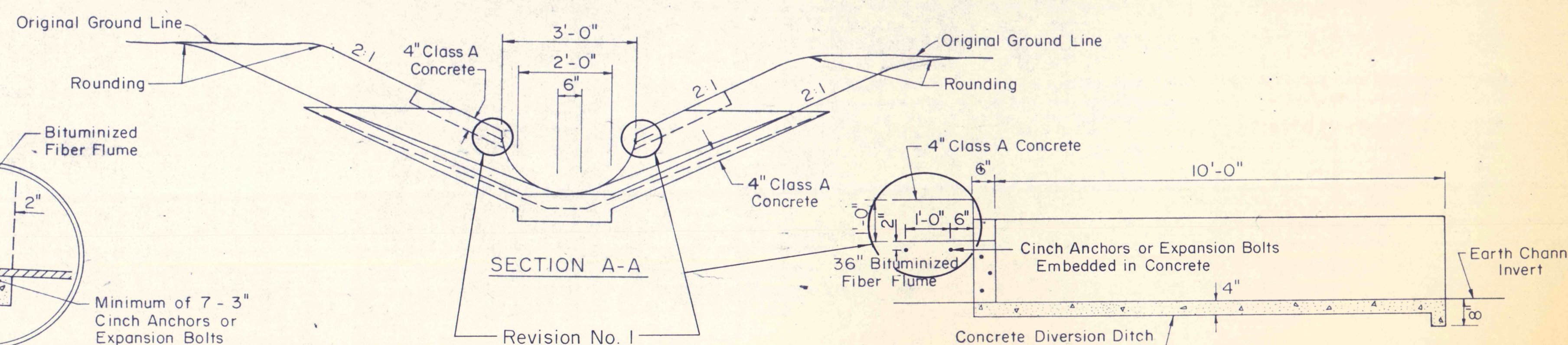
SECTION A-A
NOT TO SCALE

CONSTRUCTION SEQUENCE

1. Excavate to limits of trench excavation.
2. Fill and tamp first two layers.
3. Re-excavate to fit pipe periphery.
4. Install half-section bracing and stakes.
5. Backfill and tamp in 6" layers to grade line.

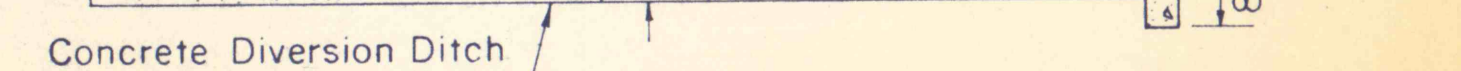


PLAN VIEW



SECTION A-A

Revision No. 1



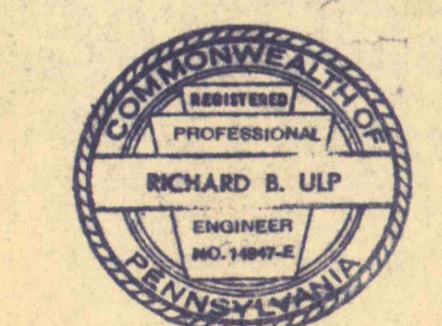
SECTION B-B

DIVERSION DITCH SIDE ENTRANCE TO BITUMINIZED FIBER FLUME

NOT TO SCALE

1	3-2-76	Added Cinch Anchors or Expansion Bolts to Detail	EC
NO	DATE	REVISION	APPR.

SUBMITTED: *Richard B. Ulp*
 APPROVED: *Richard B. Ulp*
 CHIEF - DIVISION OF MINE RECLAMATION
 APPROVED: *Anthony Erdman*
 DIRECTOR - BUREAU OF DESIGN



COMMONWEALTH OF PENNSYLVANIA
 DEPARTMENT OF ENVIRONMENTAL RESOURCES
 OFFICE OF RESOURCES MANAGEMENT
 PROJECT NO. SL 113-5-1
 MINE DRAINAGE POLLUTION ABATEMENT
 COAL RUN
 SHAMOKIN CREEK WATERSHED
 NORTHUMBERLAND COUNTY, PA.
 ERDMAN, ANTHONY, ASSOCIATES
 Consulting Engineers
 Camp Hill, Pa. Rochester, N.Y.

FIBER FLUME DETAILS

DRAWN BY: GMS	DATE: 5-9-75	DRAWING NO.:
CHECKED BY: DHC	SCALE: AS SHOWN	23 of 28