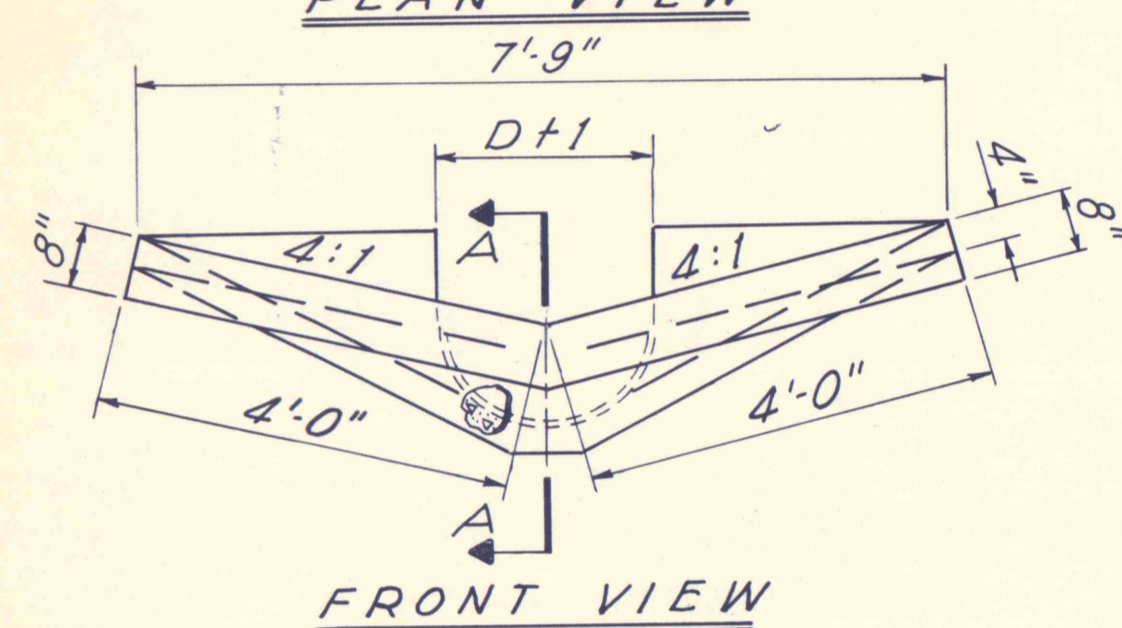
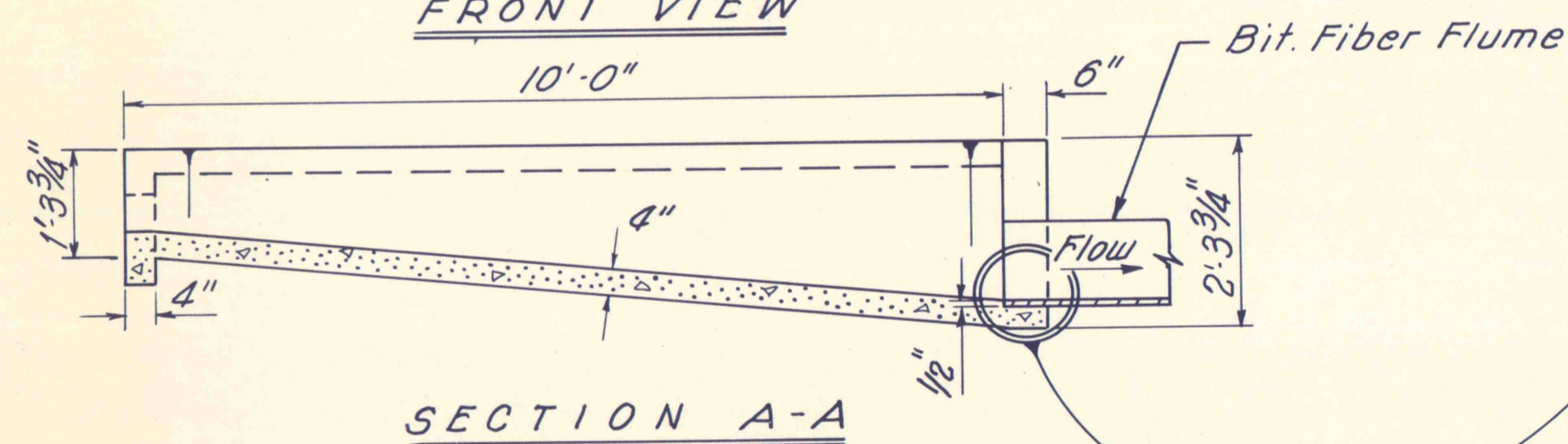


PLAN VIEW



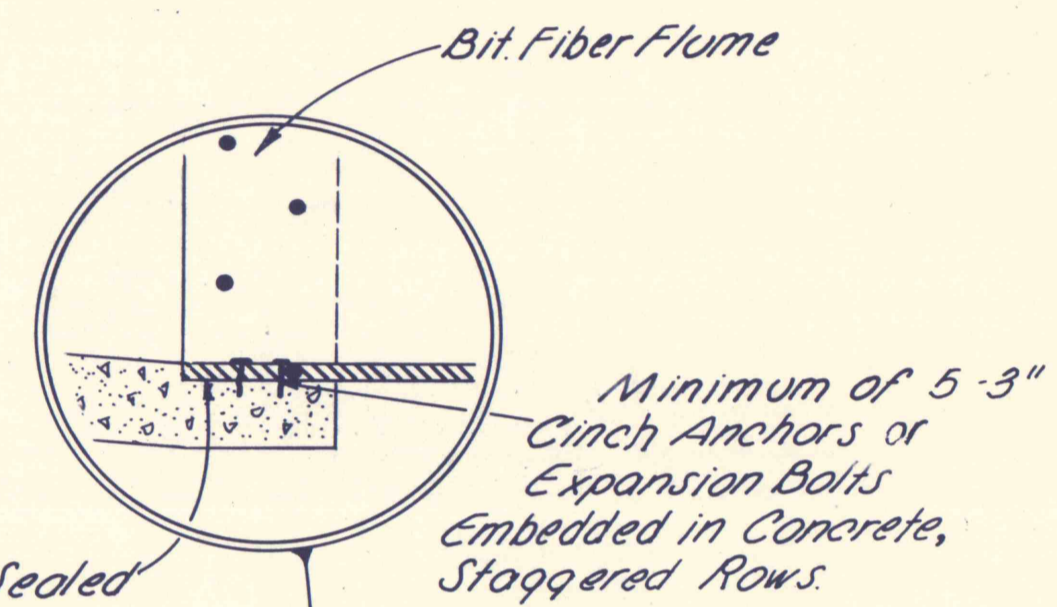
FRONT VIEW



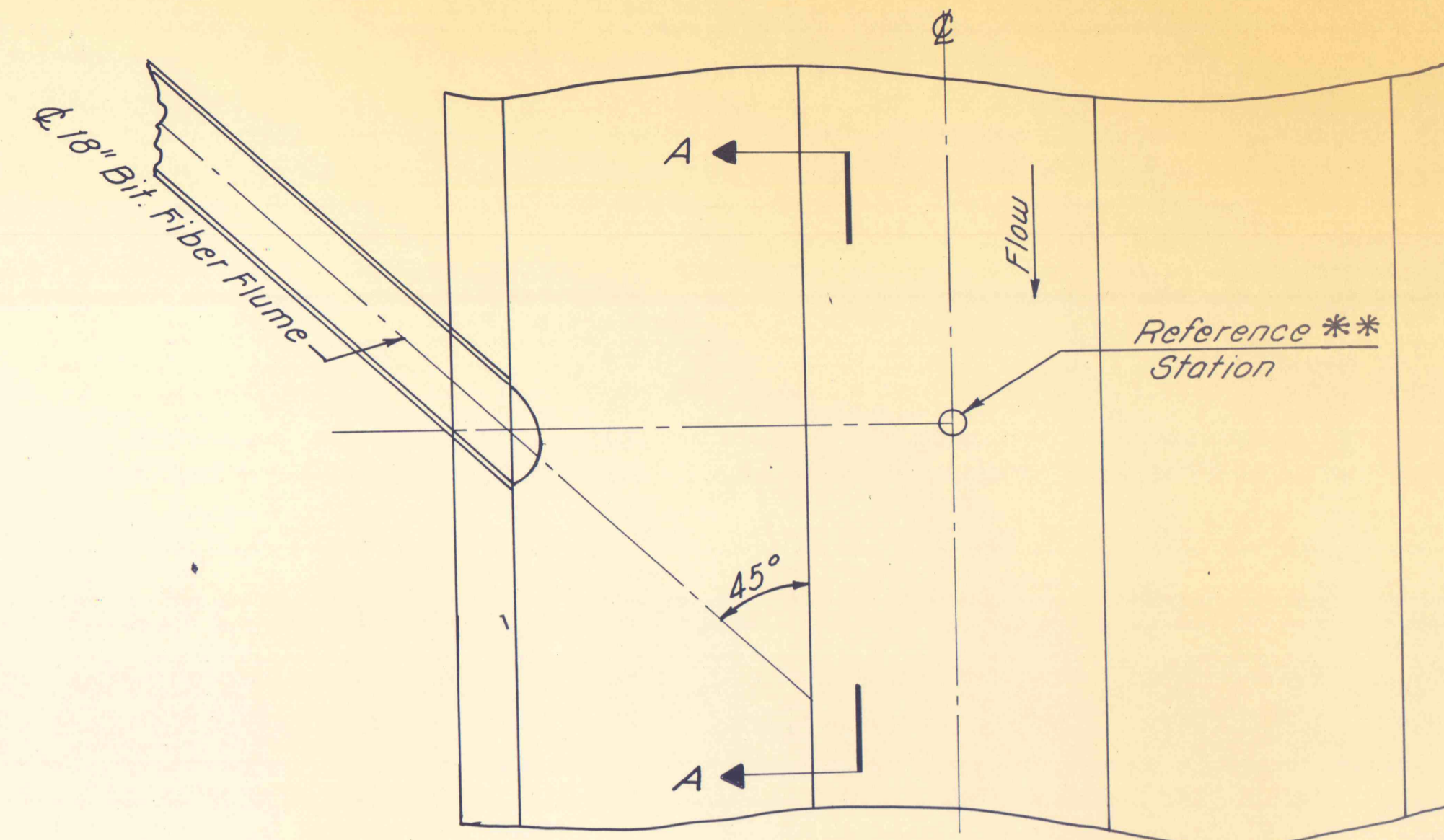
SECTION A-A

CONCRETE PAVED SWALE FLUME ENTRANCE

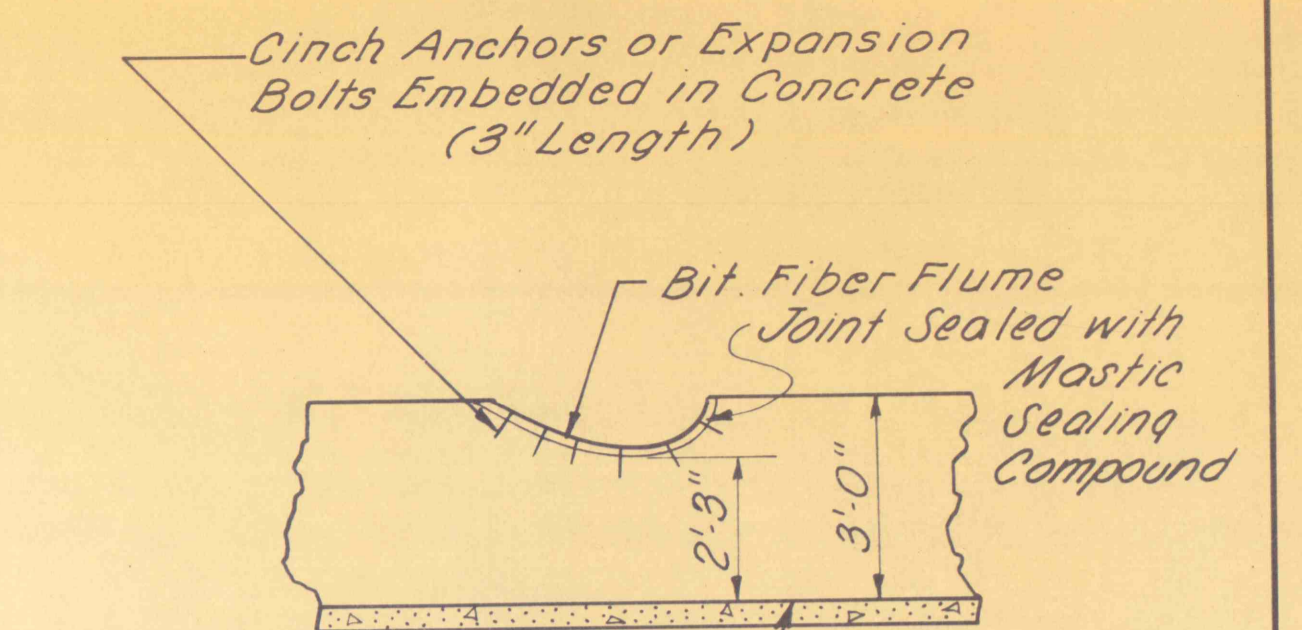
Scale : 1" = 1/2'



DETAIL
No Scale



PLAN VIEW

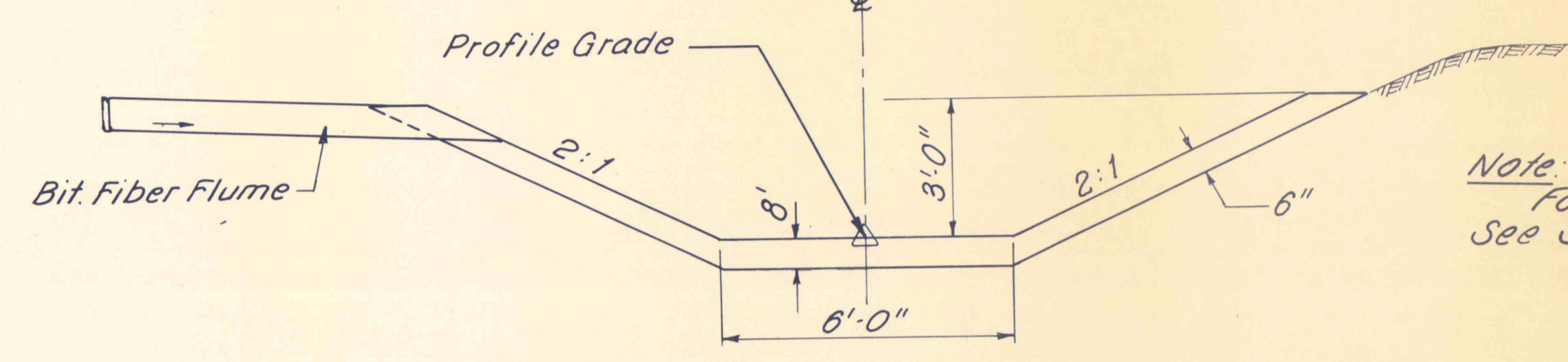


Channel Profile Elevation

SECTION A-A

** NOTE: Bituminous Fiber Flumes are Located at Reference Stations 25 + 75 Left and 29 + 75 Left.

50
▲ Flume Relocation

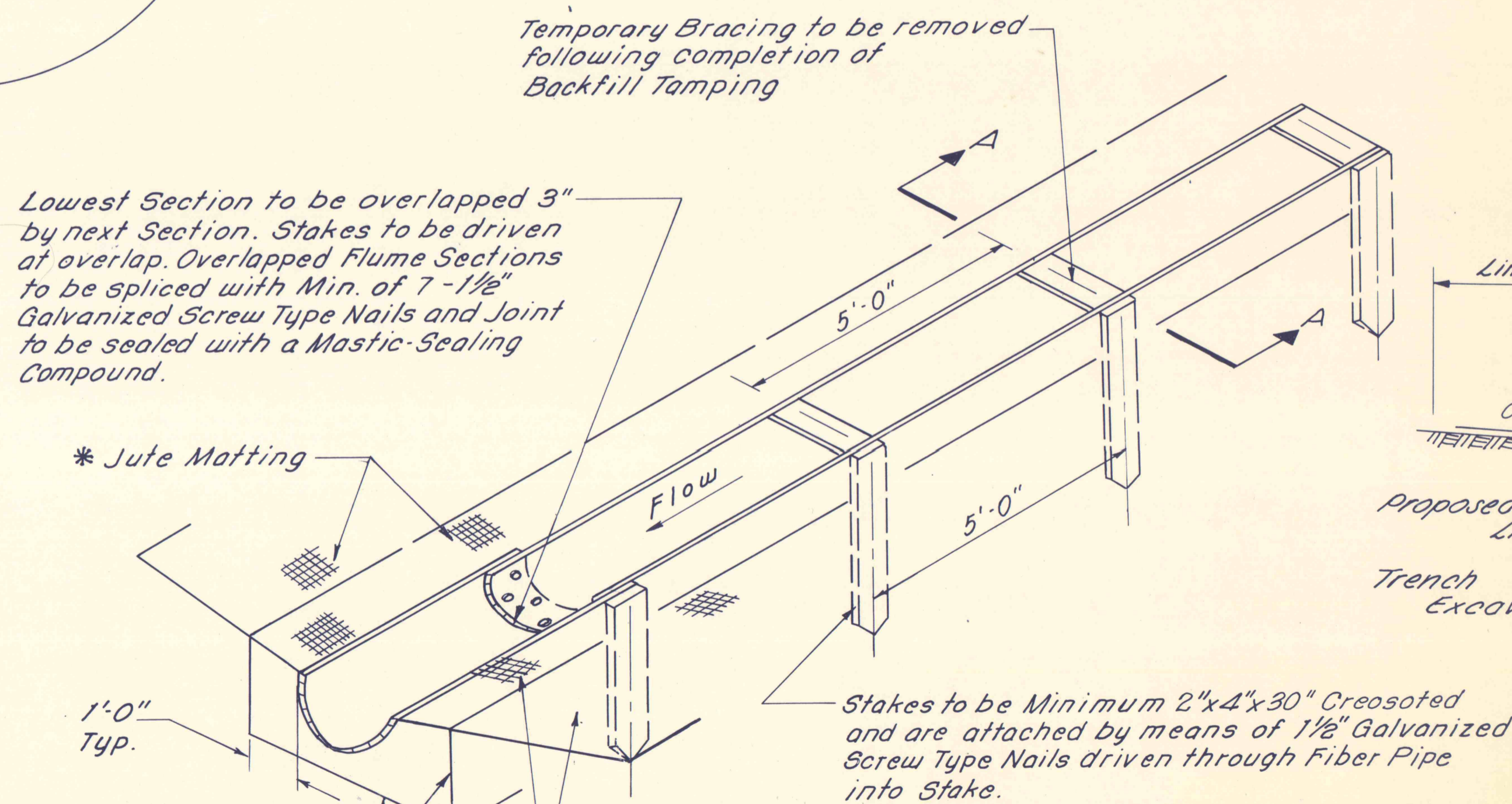


FRONT VIEW

DETAIL FOR BITUMINOUS FIBER FLUME CONNECTION TO REINFORCED CONCRETE FLUME

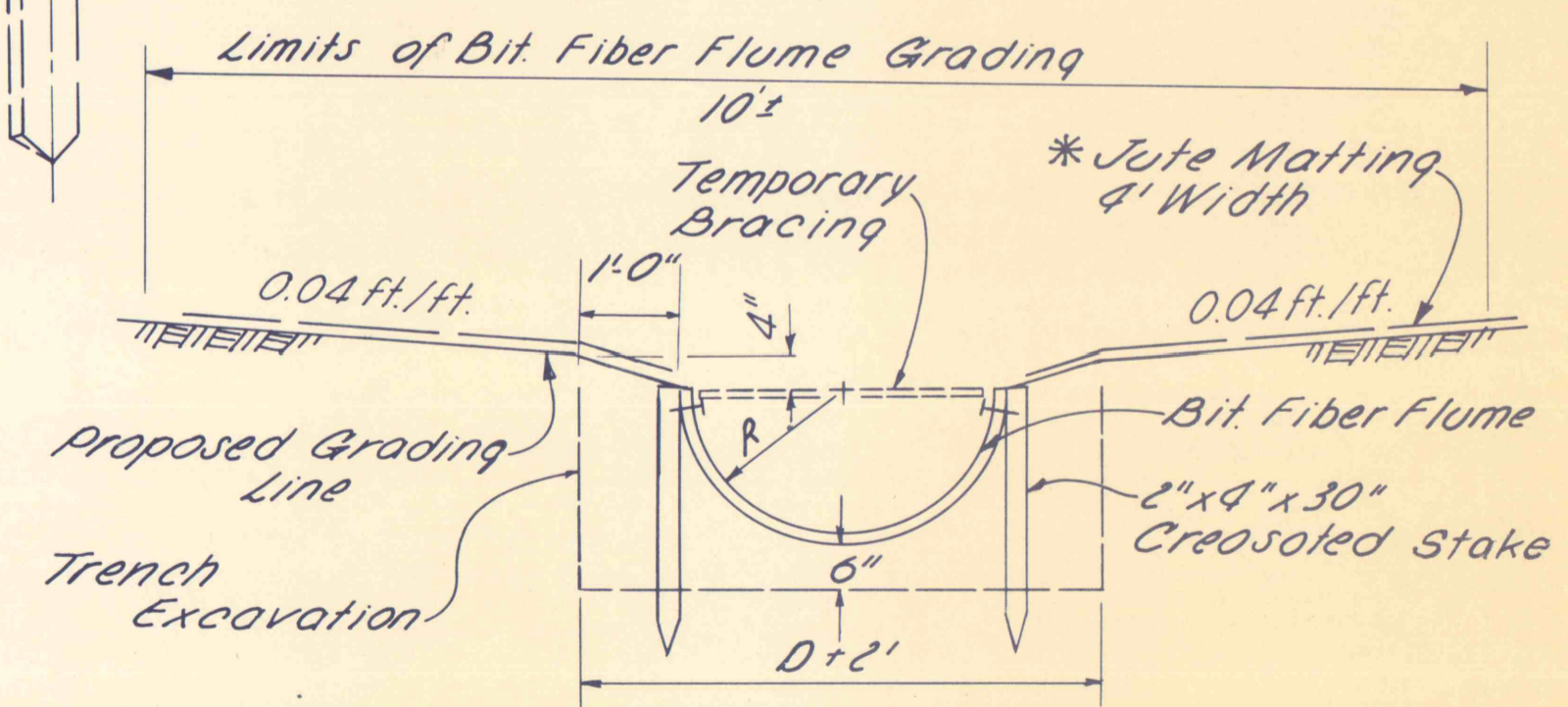
Not to Scale

Note: For Reinforcing Details See Sheet No. 10



INSTALLATION OF HALF SECTION BITUMINOUS FIBER FLUME

Not to Scale



SECTION A-A

* NOTE: For Jute Matting Installation Requirements, See Technical Specifications.

Trench Excavation for Flume (Backfill to be carefully Tamped in 4" Lifts if Hand Tamped or in 8" Lifts if Power Tamped.)

| | | | |
|---|----------------------|-----------------------------|-------|
| NO. | DATE | REVISION | APPR. |
| 11-5-75 | | AS BUILT (FLUME RELOCATION) | |
| SUBMITTED | | | |
| PROFESSIONAL <i>Norman E. Mutchler</i> | | | |
| APPROVED <i>Robert C. Pinner</i> | | | |
| CHIEF - DIVISION OF MINE RECLAMATION | | | |
| APPROVED <i>Dr. P. J. Berge</i> | | | |
| DIRECTOR - BUREAU OF DESIGN | | | |
| | | | |
| COMMONWEALTH OF PENNSYLVANIA DEPARTMENT OF ENVIRONMENTAL RESOURCES OFFICE OF RESOURCES MANAGEMENT | | | |
| PROJECT NO. SL 126-2-9 | | | |
| MINE DRAINAGE POLLUTION ABATEMENT MARTINS RUN SWATARA CREEK WATERSHED SCHUYLKILL COUNTY | | | |
| BERGER ASSOCIATES, INC. Consulting Engineers | | | |
| P.O. Box 1943 | | Harrisburg, Penna. | |
| BITUMINOUS FIBER FLUME DETAILS | | | |
| DRAWN BY JS | DATE JULY 8, 1974 | DRAWING NO. | |
| CHECKED BY MW | SCALE AS SHOWN | 11 OF 11 | |