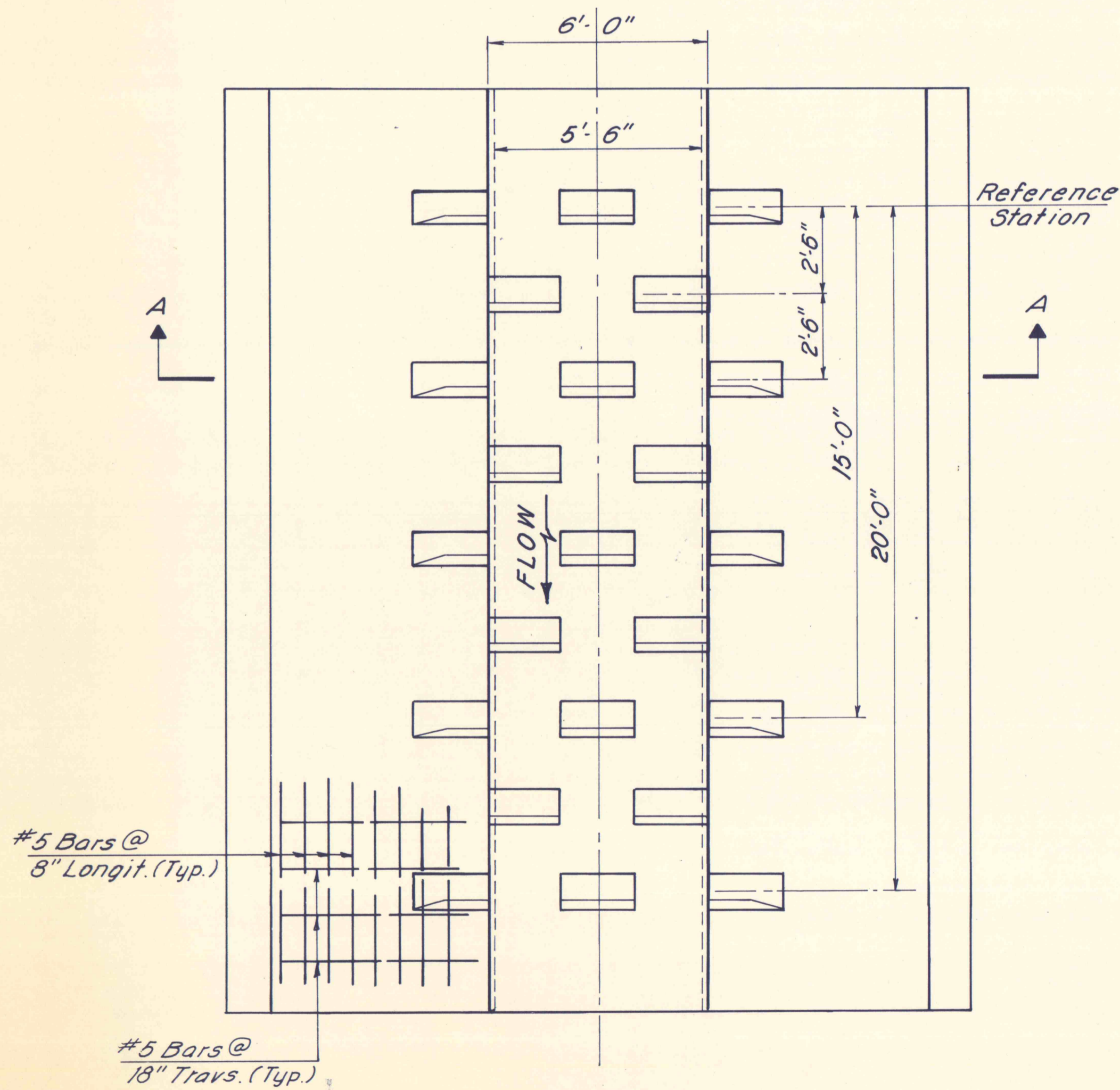


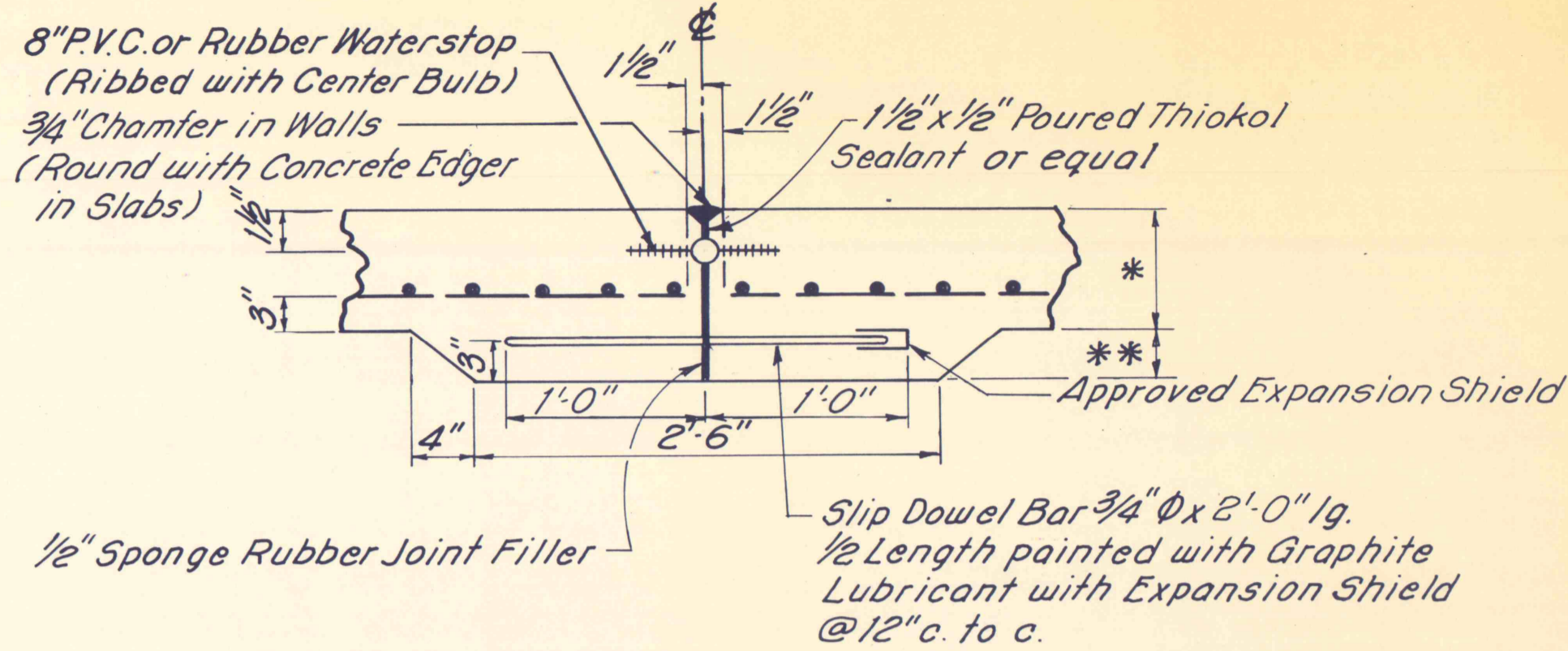
SECTION A-A

NOTE: See Sheet 7 for Slope Protection.



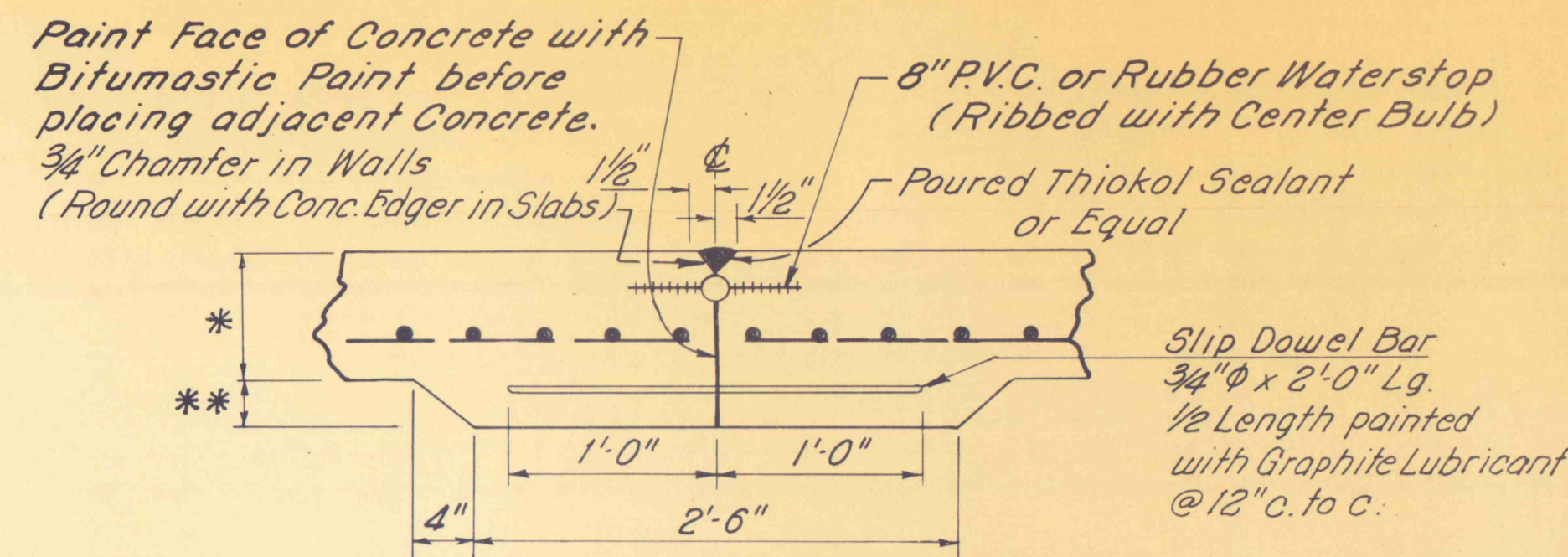
DETAIL ENERGY DISSIPATING UNIT

Scale: 1" = 3'-0"



EXPANSION JOINT - 90' SPACING

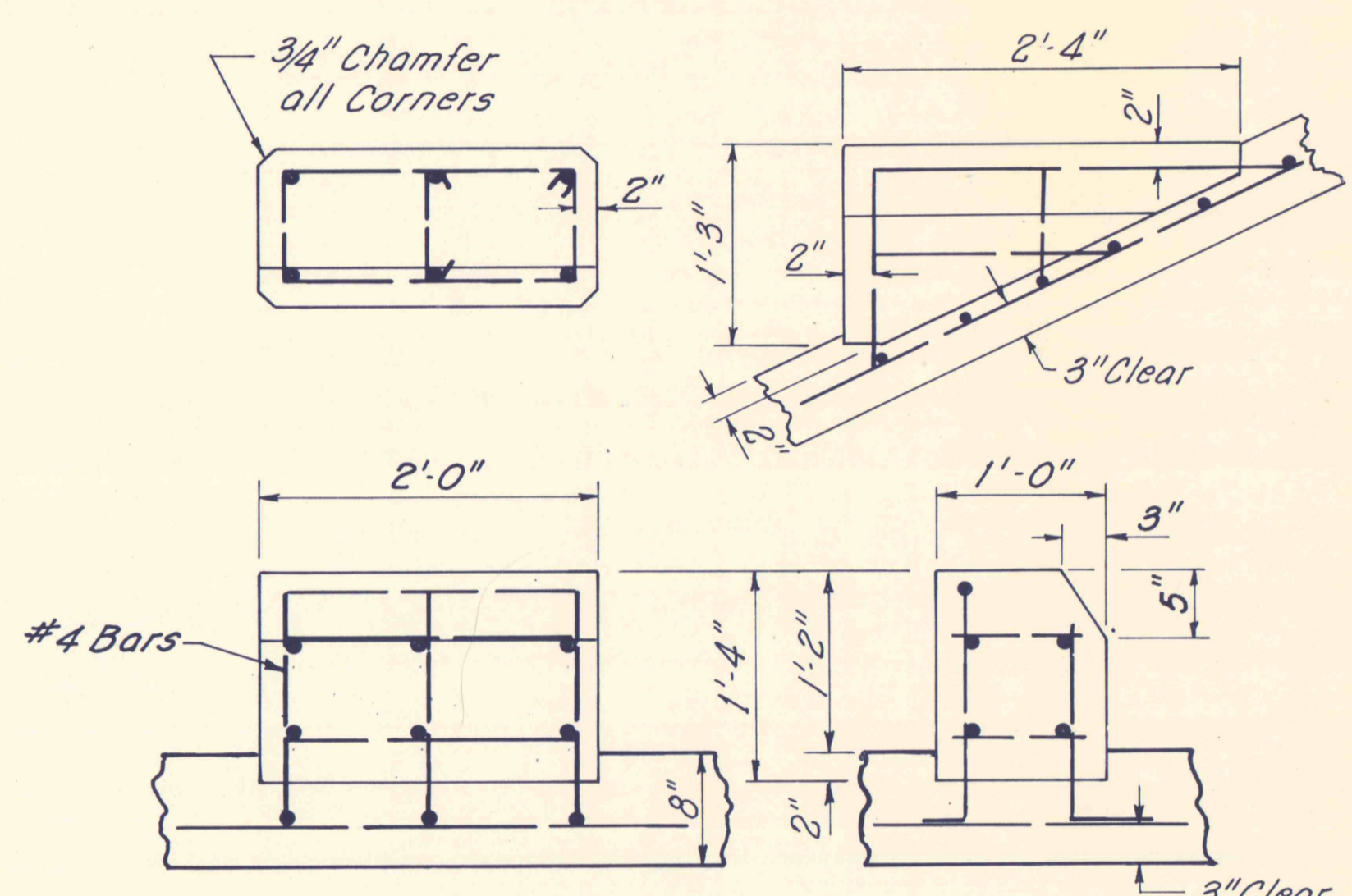
Not to Scale



CONTRACTION JOINT - 30' SPACING

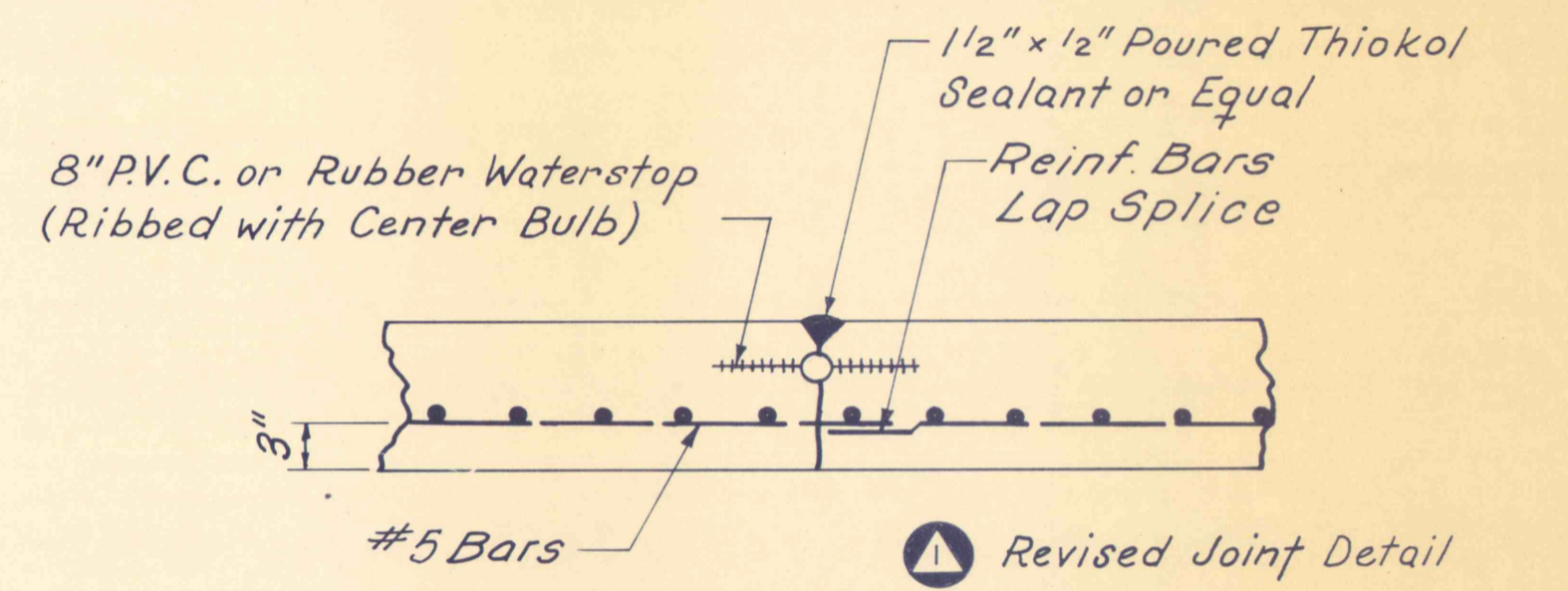
Not to Scale

NOTES: \* Slab Depth consists of 8" at Bottom and 6" on Flume Side.  
\*\* 2" Thickness @ 8" Base; 4" Thickness @ 6" Side Slope.



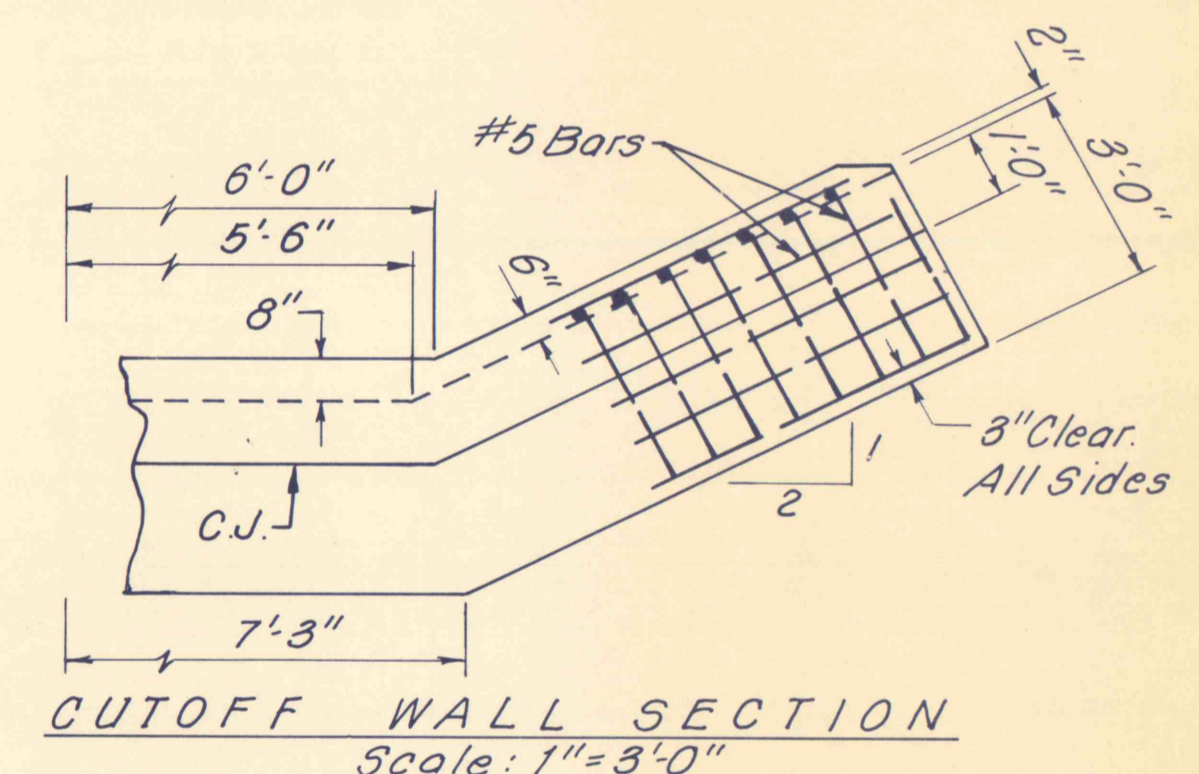
DETAIL Baffle Block for Energy Dissipating Unit

Not to Scale

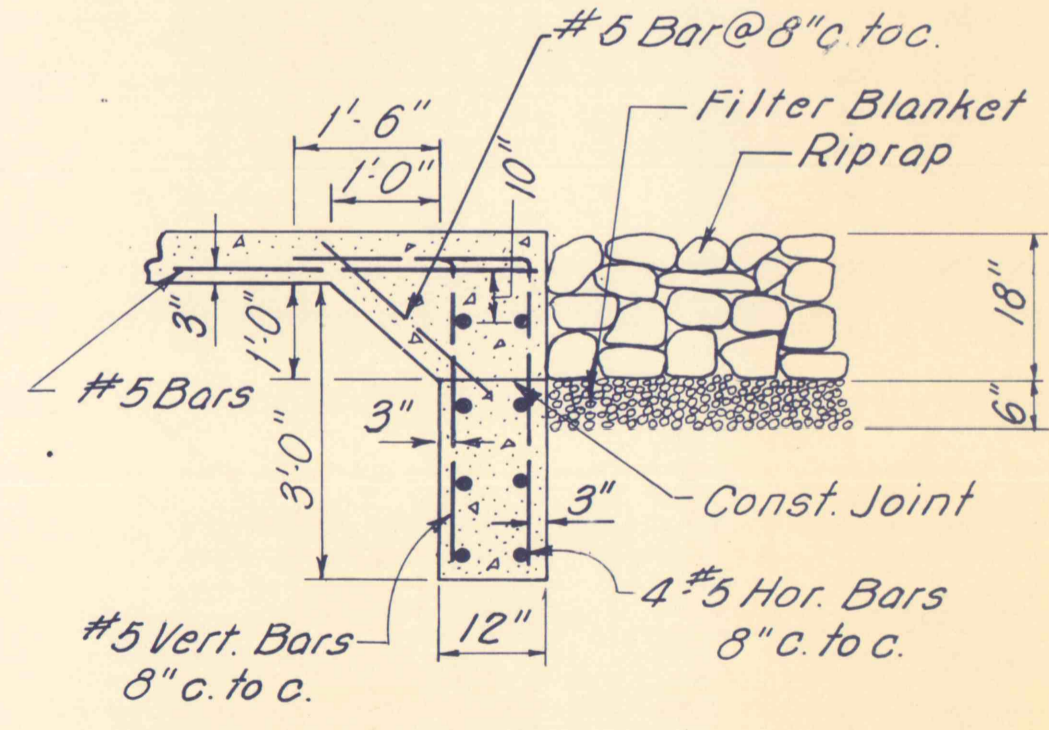


CONSTRUCTION JOINT - AS REQUIRED

Not to Scale



CUTOFF WALL SECTION  
Scale: 1" = 3'-0"



CUTOFF WALL  
STA. 23+50

Not to Scale

Energy Dissipating Unit Reference Stations
33 + 55 *
32 + 20
31 + 30
30 + 40
29 + 50
28 + 60
27 + 70
26 + 80
26 + <del>80</del> 00 **
25 + <del>80</del> 15 ***
<del>24 + 70</del>
24 + <del>80</del> 25 ***
* 15 L.F. Unit at Station 33+55. All others 20 L.F.
** 25 L.F. Unit
*** 30 L.F. Unit

Revised Unit Stationing & Length

NO.	DATE	REVISION	APPR.
2	11-5-75	AS BUILT (REVISED UNIT STATIONING & LENGTH)	
1	11-5-75	AS BUILT (REVISED JOINT DETAIL)	
SUBMITTED			
PROFESSIONAL <i>Norman E. Mutchler</i>			
APPROVED <i>Robert A. Ransau</i> CHIEF - DIVISION OF MINE RECLAMATION			
APPROVED <i>D. J. Penney</i> DIRECTOR - BUREAU OF DESIGN			
COMMONWEALTH OF PENNSYLVANIA DEPARTMENT OF ENVIRONMENTAL RESOURCES OFFICE OF RESOURCES MANAGEMENT			
PROJECT NO. SL 126-2-9			
MINE DRAINAGE POLLUTION ABATEMENT MARTINS RUN SWATARA CREEK WATERSHED SCHUYLKILL COUNTY			
BERGER ASSOCIATES, INC. Consulting Engineers			
P.O. Box 1943		Harrisburg, Penna.	
<b>FLUME DETAILS</b>			
DRAWN BY J.S.	DATE JULY 8, 1974	DRAWING NO. 10 OF 11	
CHECKED BY M.W.	SCALE AS SHOWN		