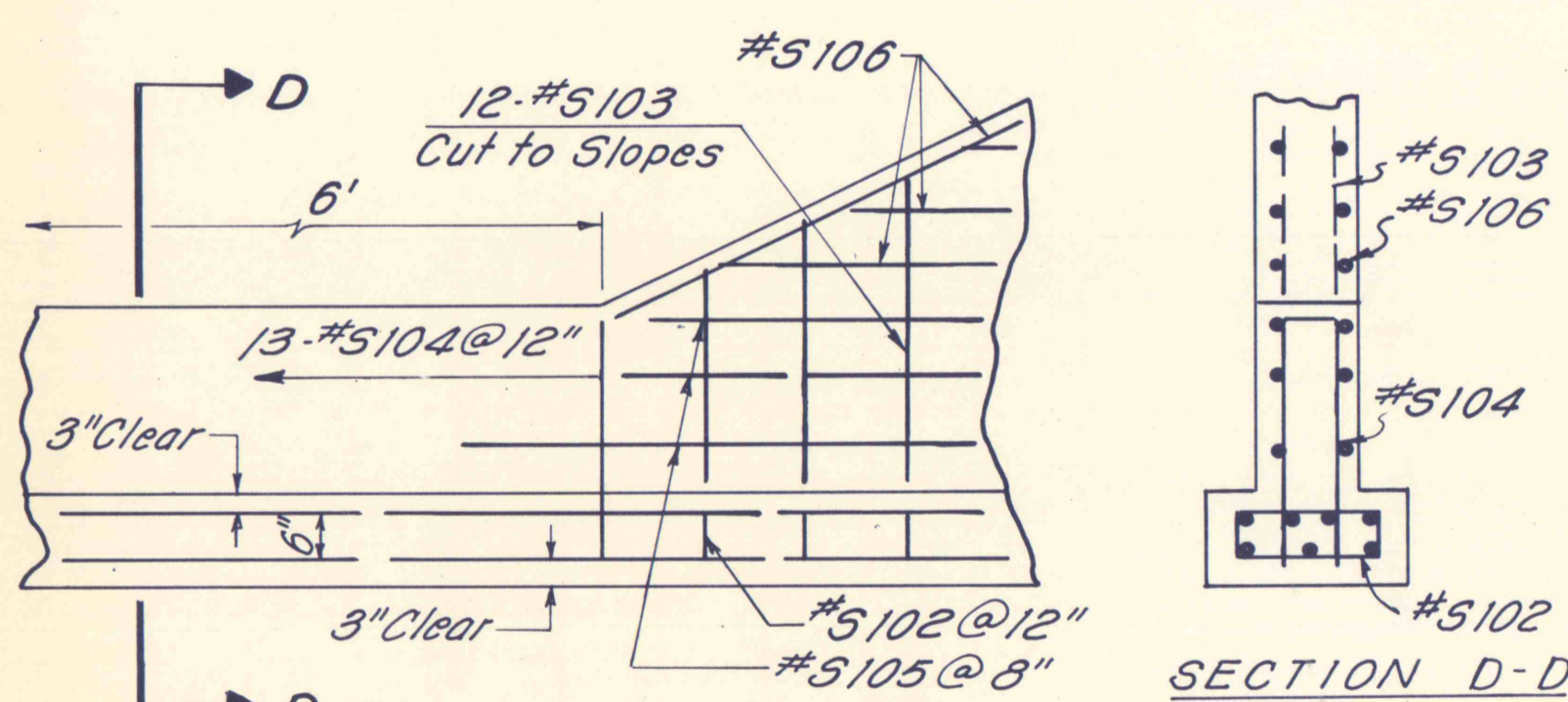
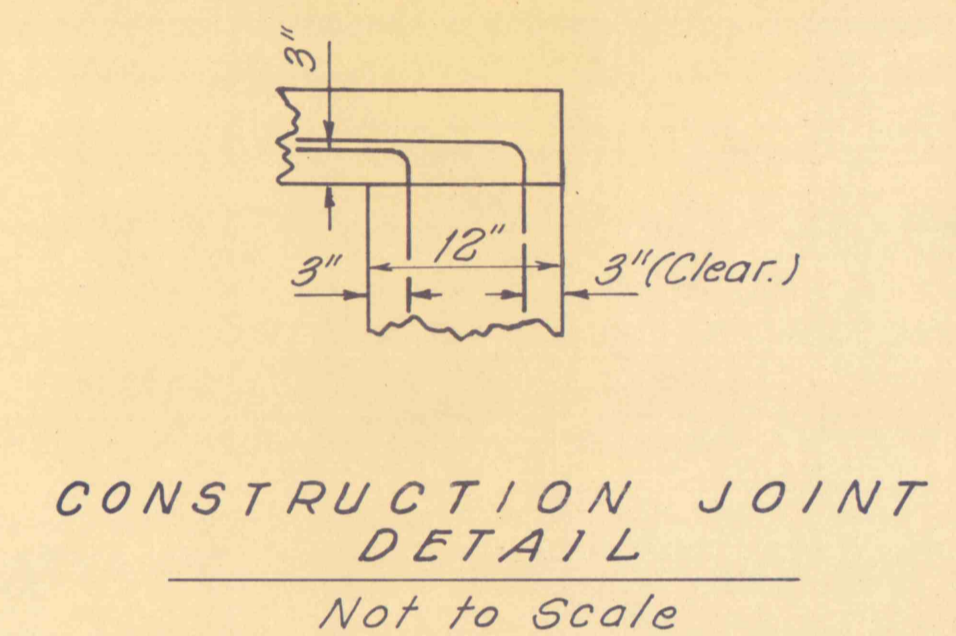
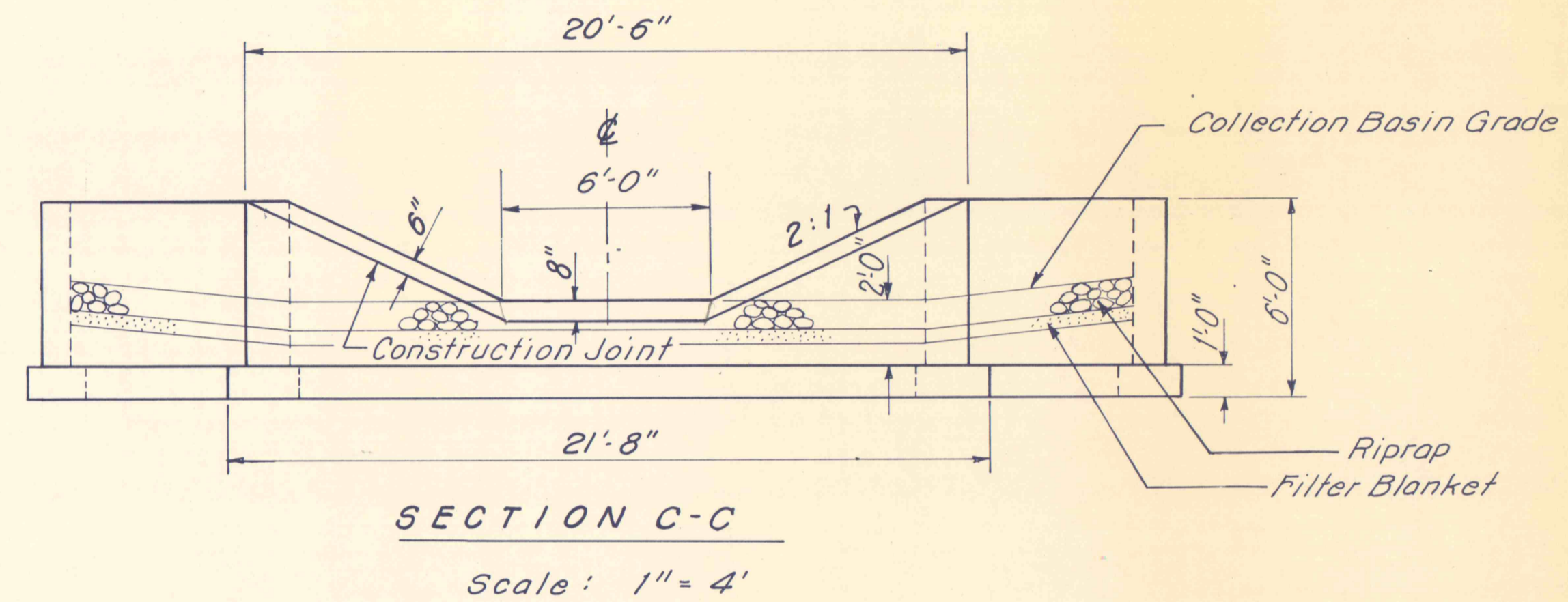
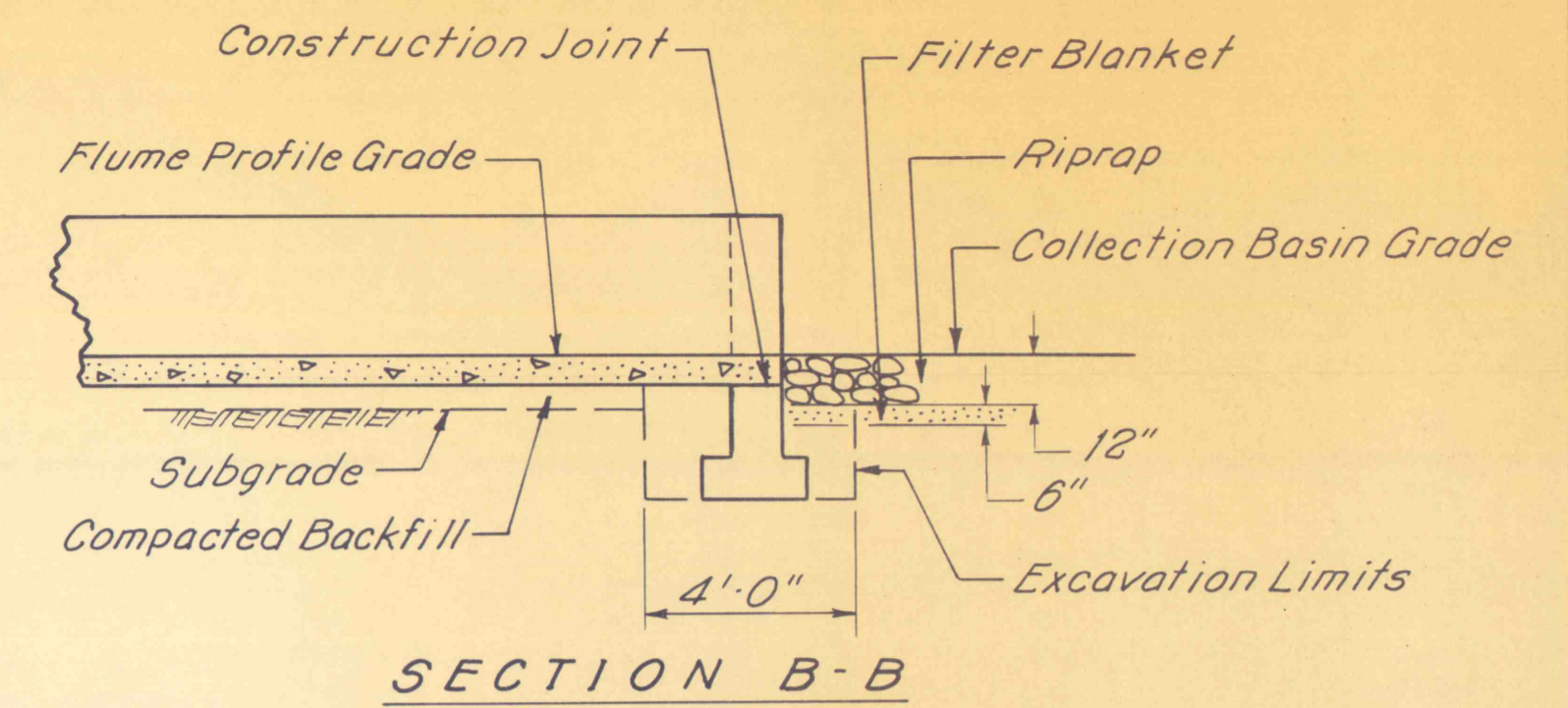
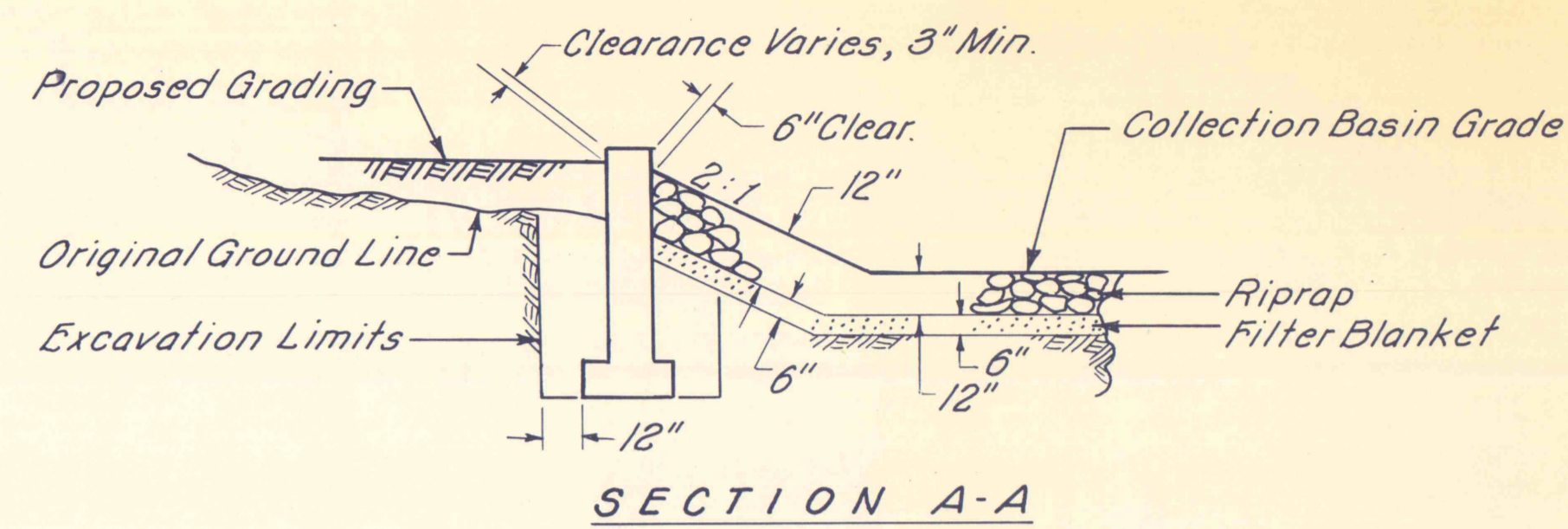
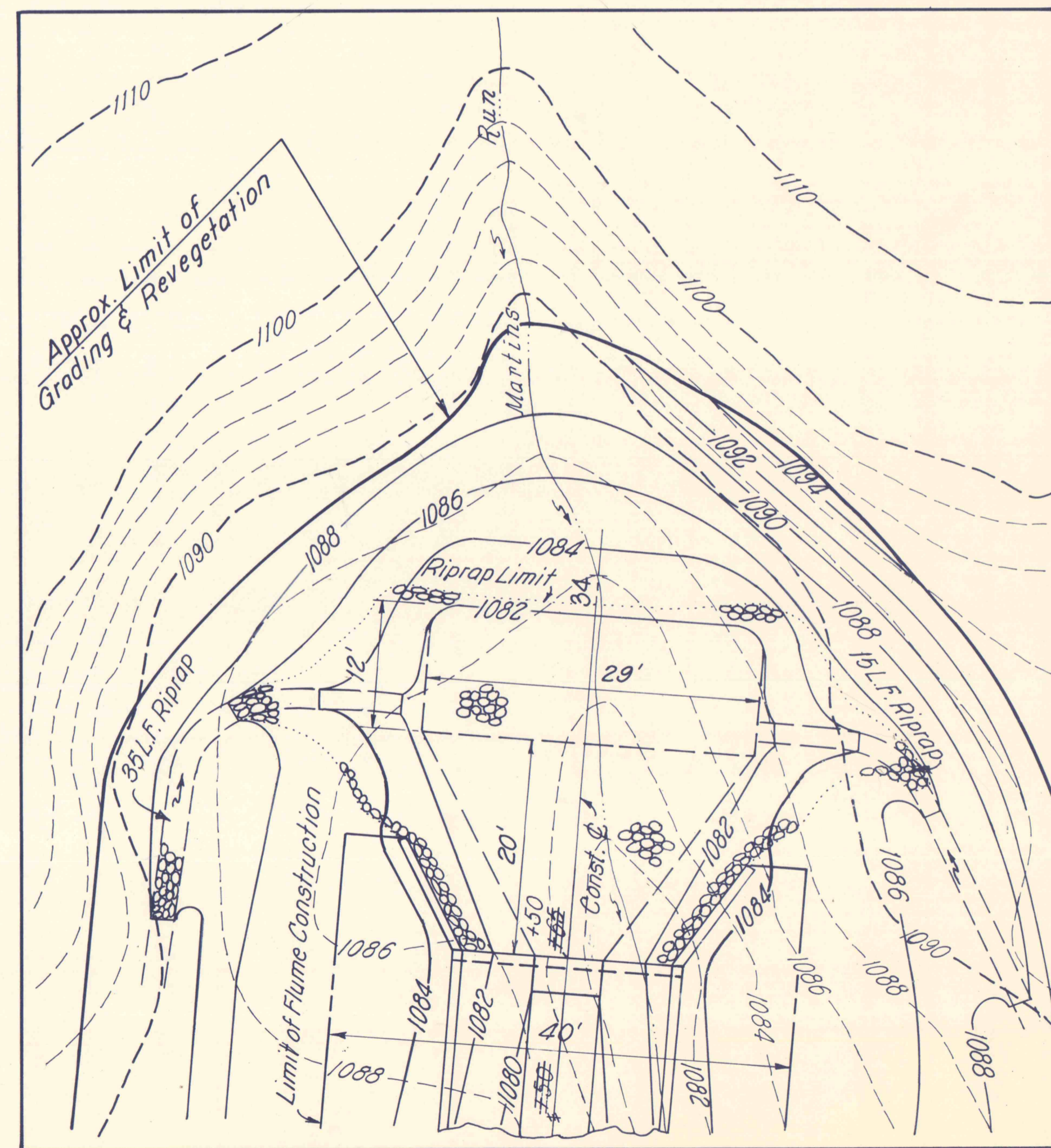
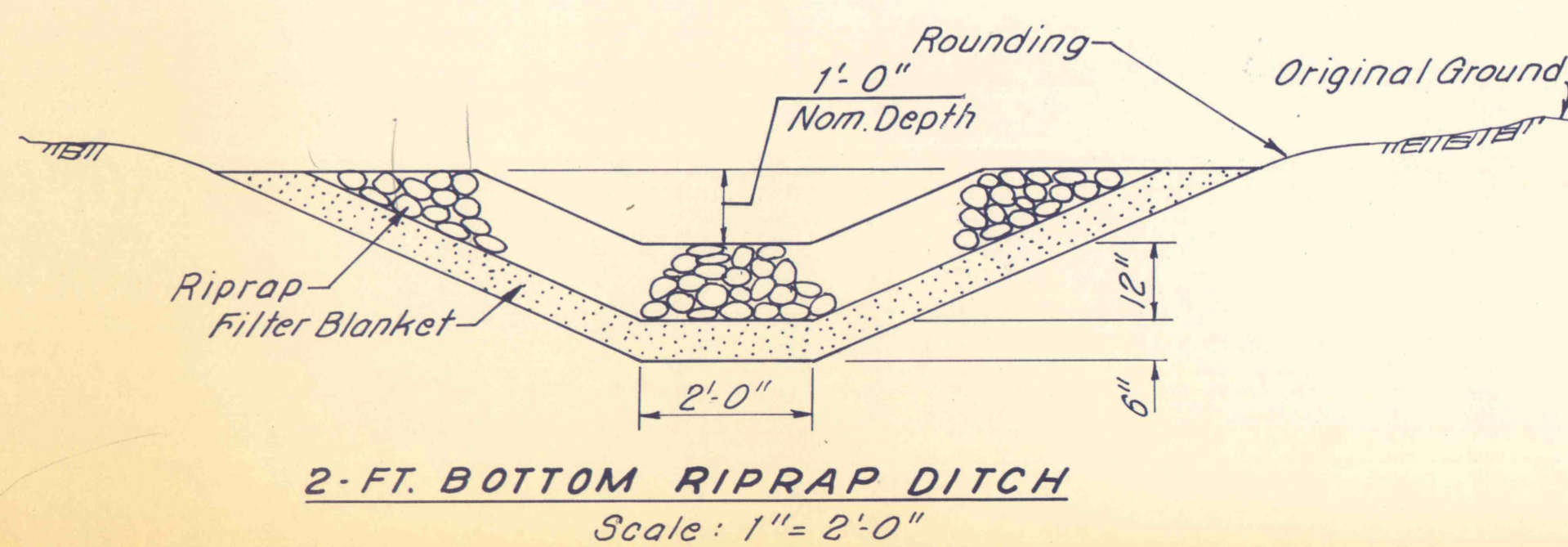


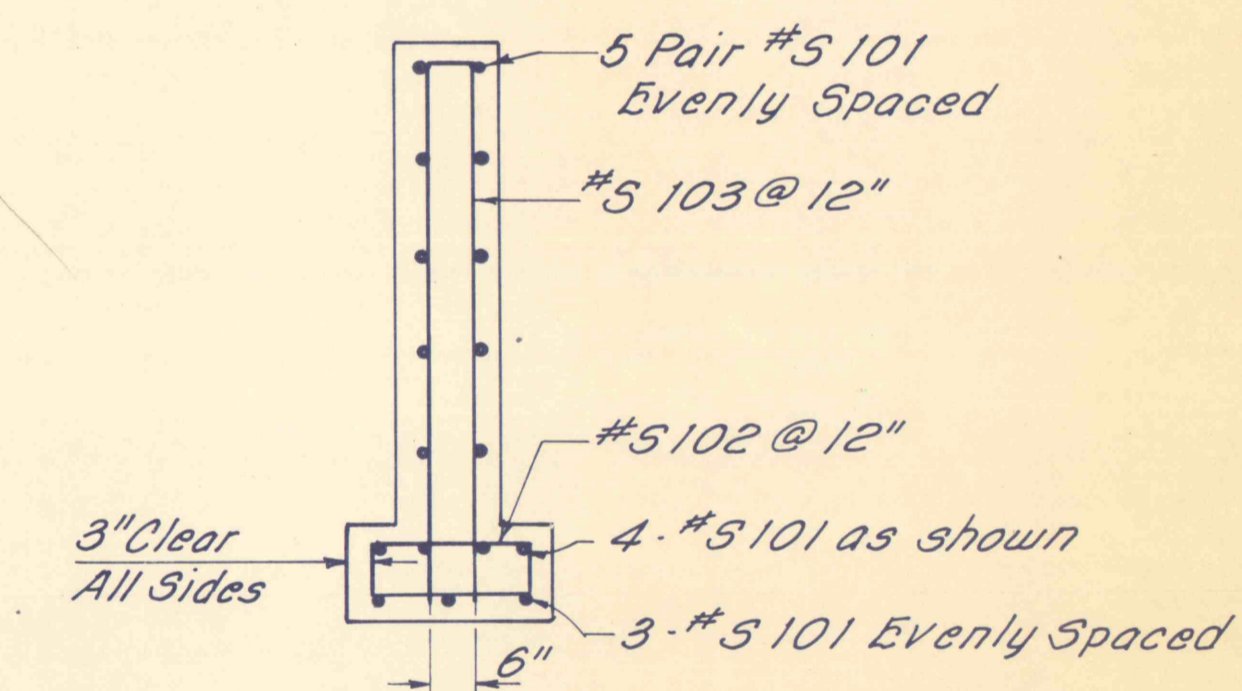
DETAIL
Scale: 1" = 4'



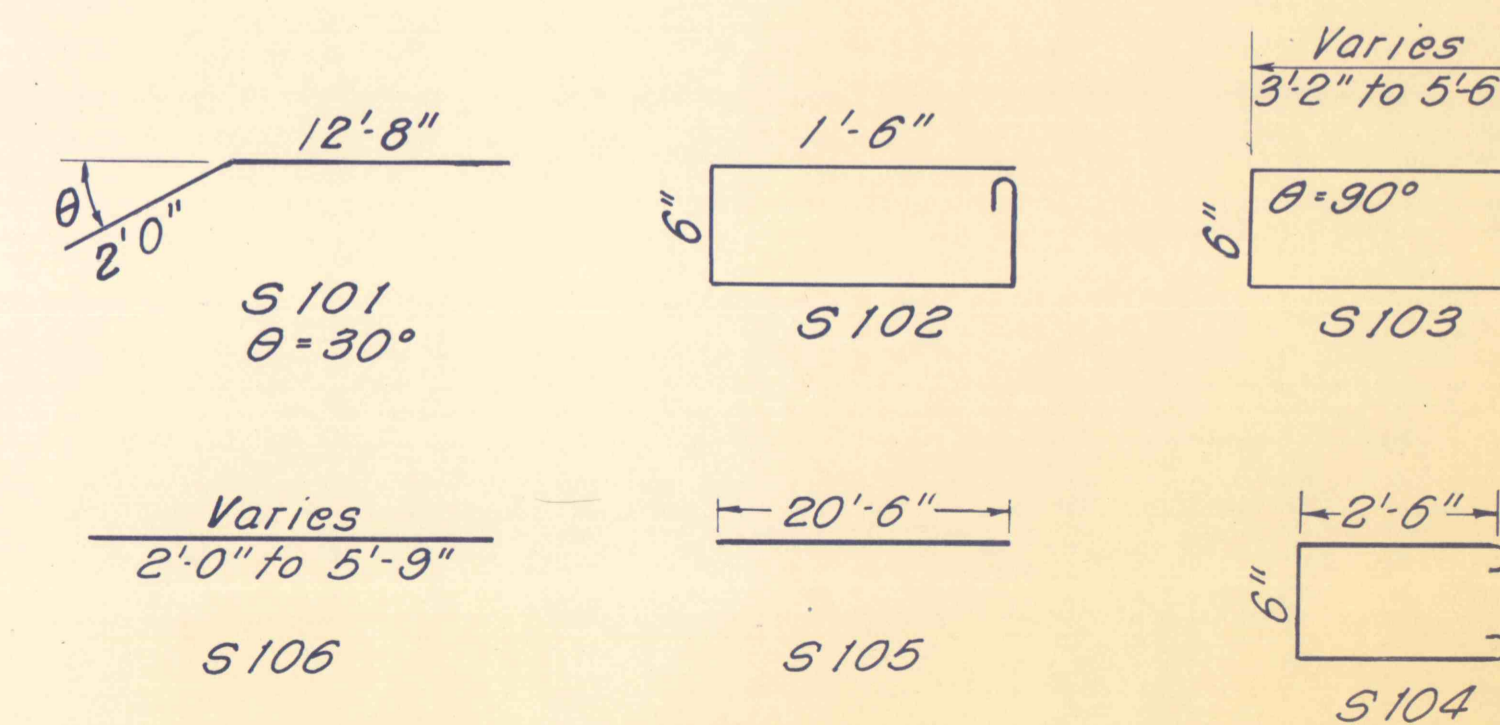
INTAKE STRUCTURE REINFORCING
(No. 5 Bars all Details)
Scale: 1" = 2'



PLAN
Scale: 1" = 10'
▲ Relocated Intake Structure



WINGWALL REINFORCING
(No. 5 Bars all Details)
Scale: 1" = 2'



REINFORCING BAR DETAIL
Not to Scale

II-575 AS BUILT (RELOCATED INTAKE STRUCTURE)		
NO	DATE	REVISION
SUBMITTED: <i>Norman E. Mutchler</i>		
APPROVED: <i>Albert C. Roman</i> CHIEF - DIVISION OF MINE RECLAMATION		
APPROVED: <i>Don Perigo</i> DIRECTOR - BUREAU OF DESIGN		
COMMONWEALTH OF PENNSYLVANIA DEPARTMENT OF ENVIRONMENTAL RESOURCES OFFICE OF RESOURCES MANAGEMENT		
PROJECT NO. SL 126-2-9		
MINE DRAINAGE POLLUTION ABATEMENT MARTINS RUN SWATARA CREEK WATERSHED SCHUYLKILL COUNTY		
BERGER ASSOCIATES, INC. Consulting Engineers P.O. Box 1943 Harrisburg, Penna.		
INTAKE STRUCTURE DETAILS		
STA. 33+65.50		
DRAWN BY JS	DATE JULY 8, 1974	DRAWING NO. 9 OF 11
CHECKED BY MW	SCALE AS SHOWN	