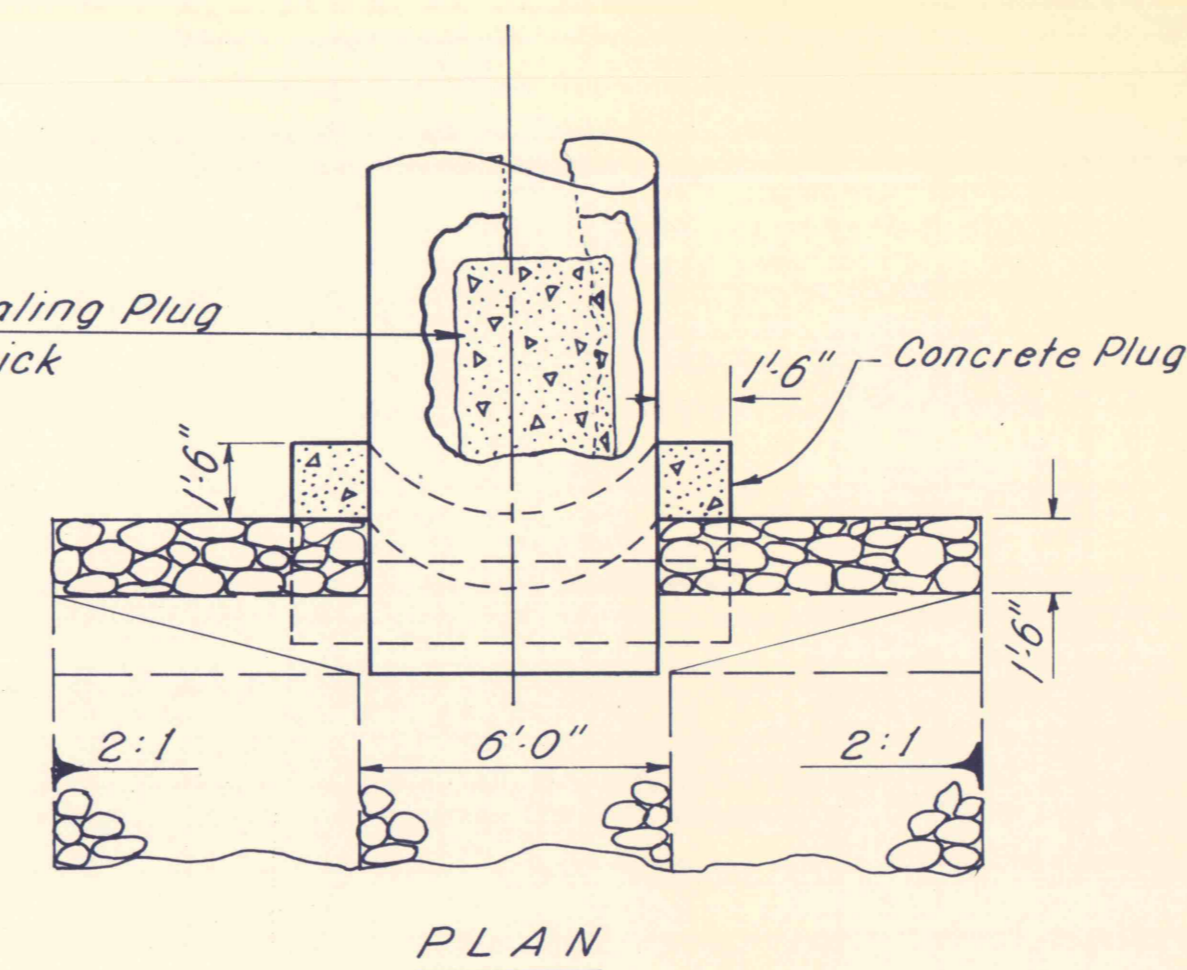
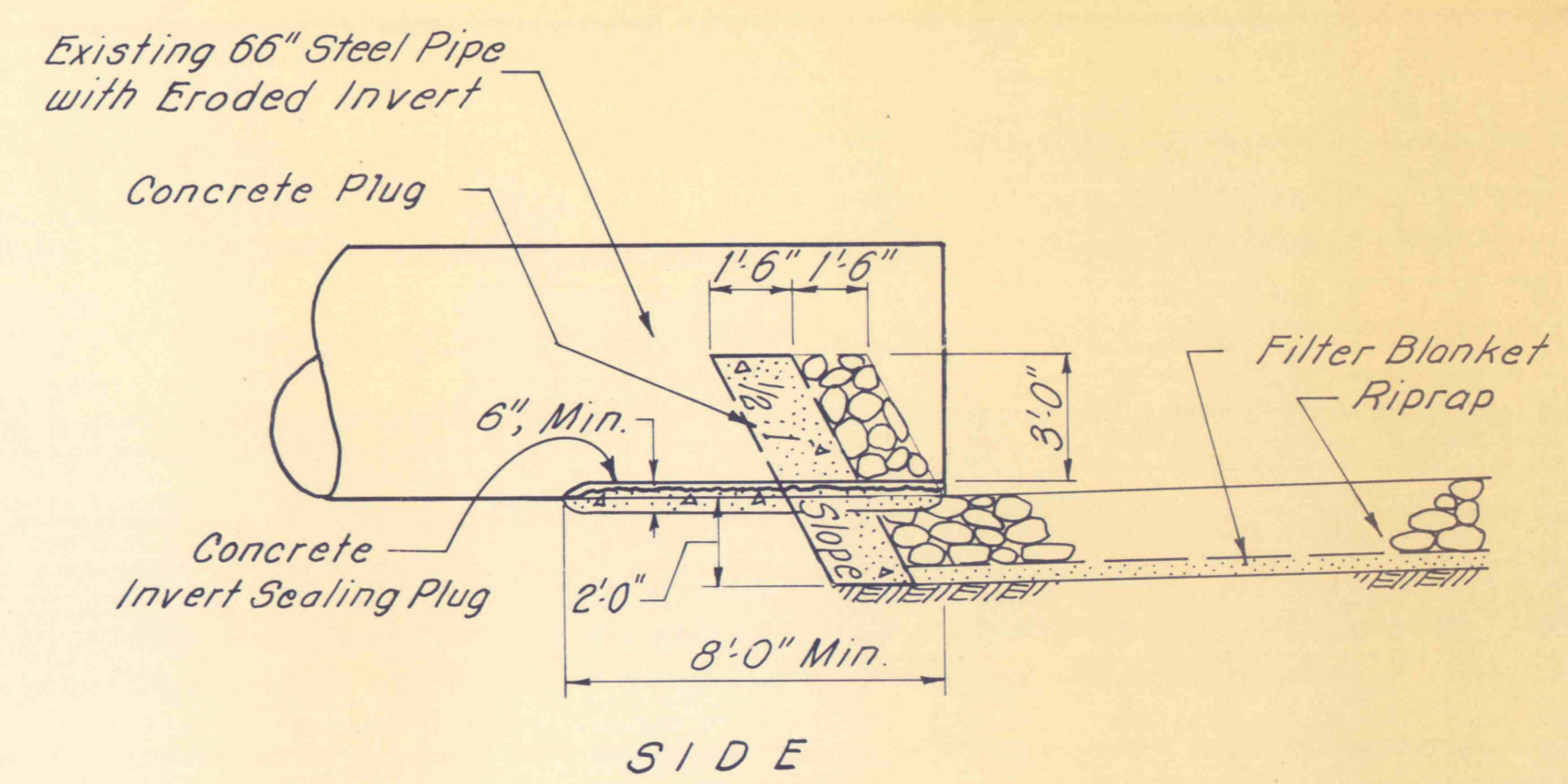


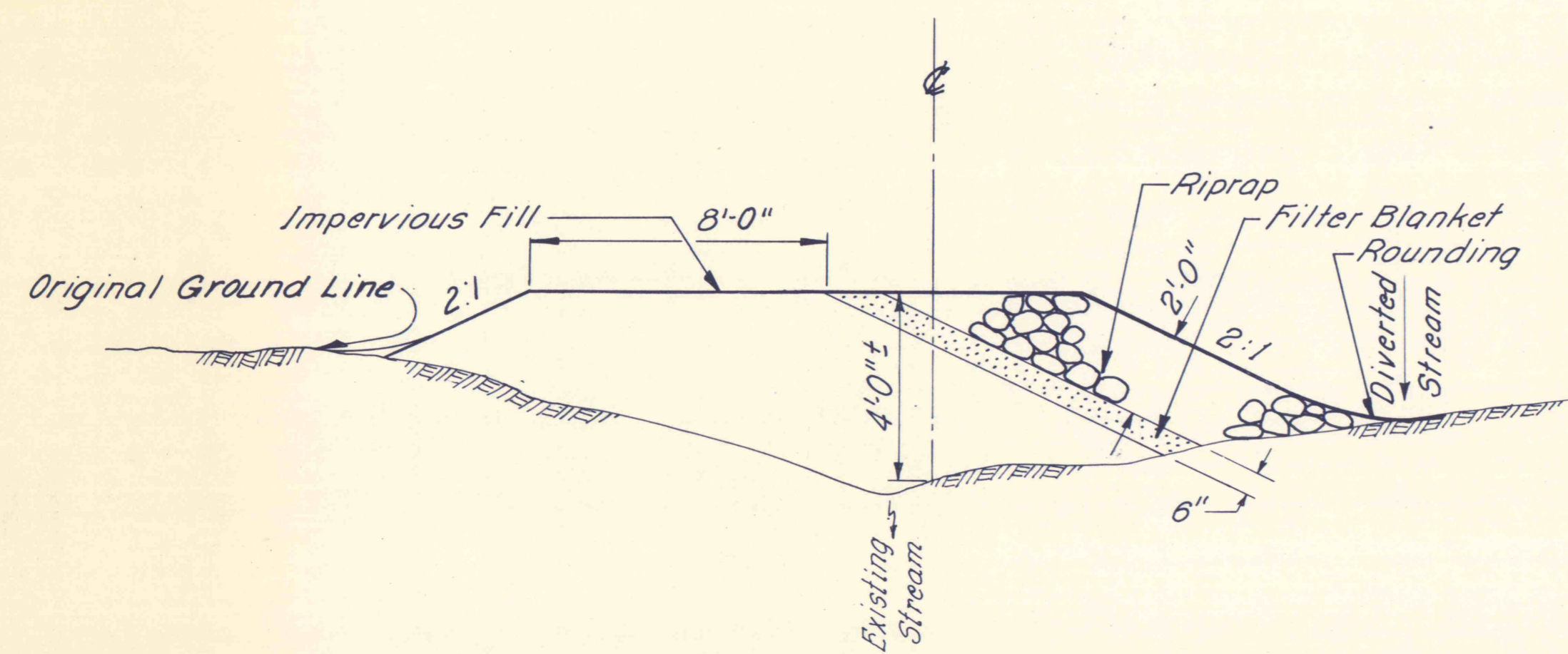
TYPICAL DETAIL FOR SEEDING & JUTE MATTING DIVERSION DITCH
Not to Scale



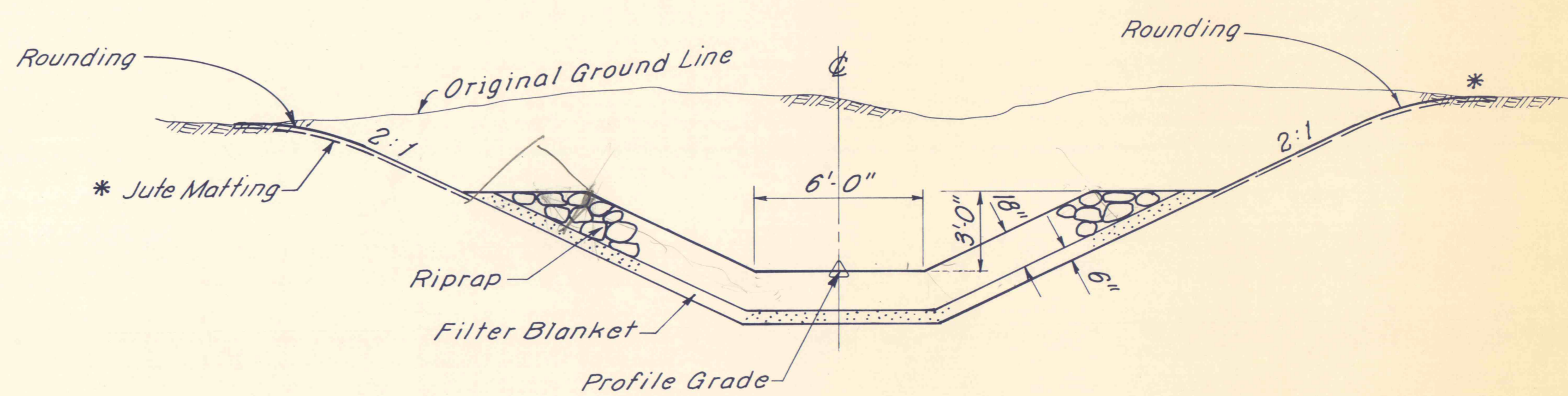
INLET REPAIR TO EXISTING 66" STEEL PIPE
DETAIL
Not to Scale



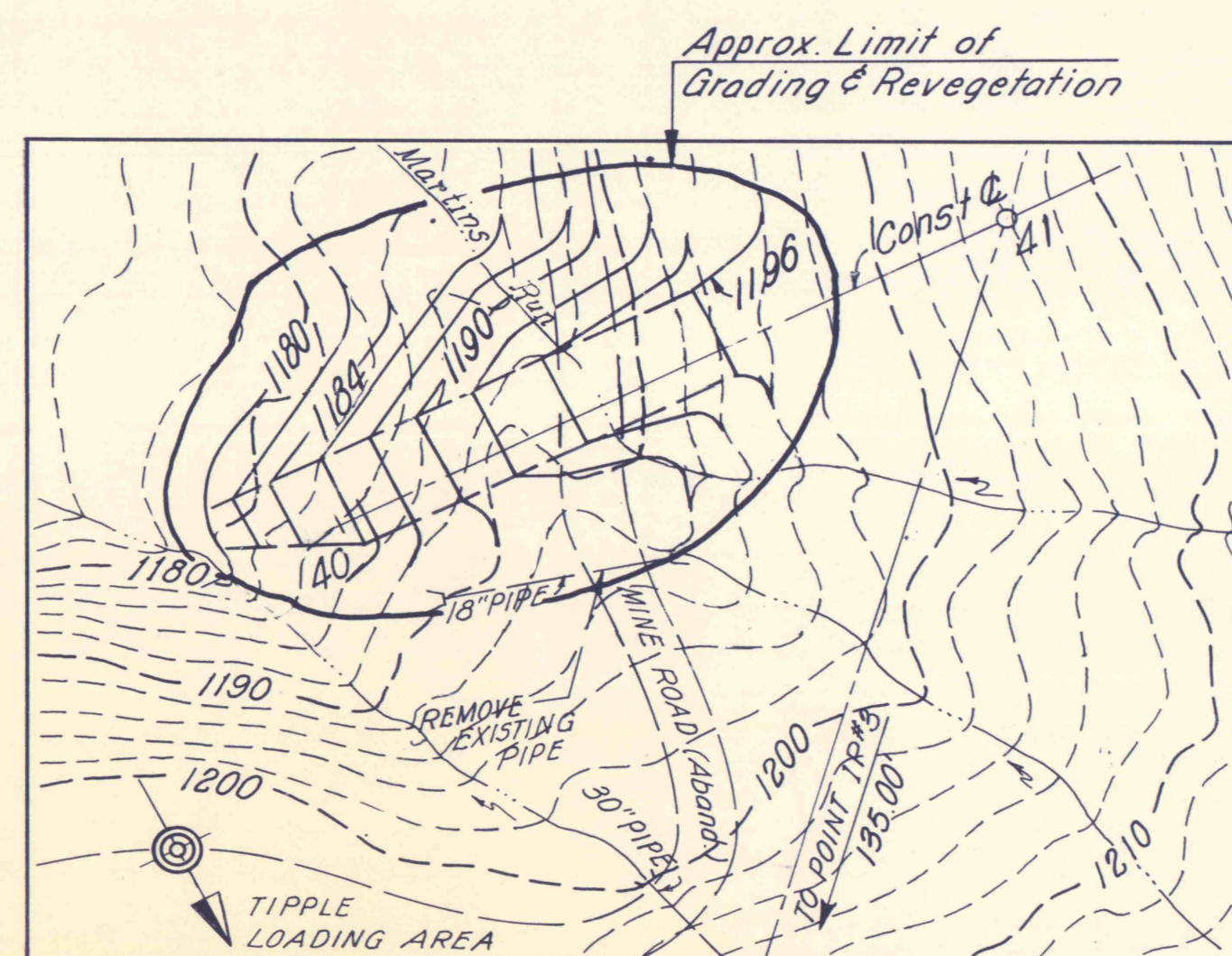
NOTE: The Concrete Inlet Sealing Plug is to be placed along the Invert Axis in such a manner as to contain the Discharge within the Eroded Bottom and Sides of the Pipe. The Plug shall have a Gradual Transition to its Full Depth and shall have no abrupt Dimensional Changes evident.



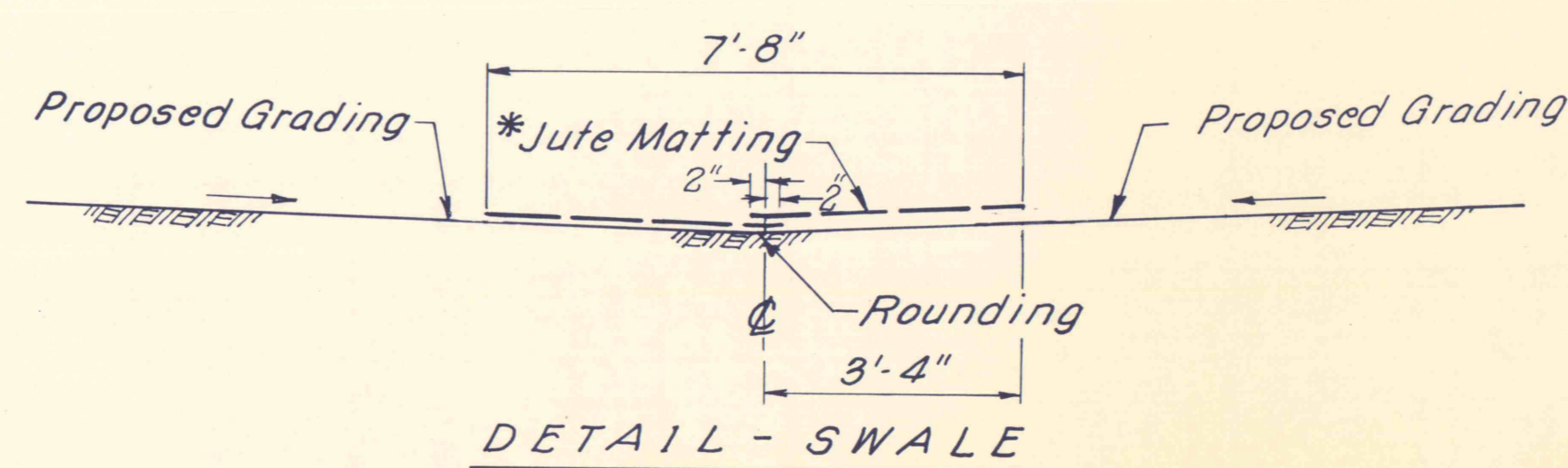
DETAIL - CHANNEL DIVERSION PLUG
Not to Scale



6 FT. BOTTOM RIPRAPPED CHANNEL
STA. 20+10 to STA. 23+50
Not to Scale



PLAN - CHANNEL DIVERSION PLUG
Scale: 1" = 25'



DETAIL - SWALE
Not to Scale

NOTE:
* - For Jute Matting installation Requirements, See Technical Specifications.

NO.	DATE	REVISION	APPR.
II-5-75	AS BUILT		
SUBMITTED Norman E. Mitchler PROFESSIONAL			
APPROVED Albert L. Ramey CHIEF - DIVISION OF MINE RECLAMATION			
APPROVED Sulmasy DIRECTOR - BUREAU OF DESIGN			
COMMONWEALTH OF PENNSYLVANIA DEPARTMENT OF ENVIRONMENTAL RESOURCES OFFICE OF RESOURCES MANAGEMENT			
PROJECT NO. SL 126-2-9			
MINE DRAINAGE POLLUTION ABATEMENT MARTINS RUN SWATARA CREEK WATERSHED SCHUYLK COUNTY			
BERGER ASSOCIATES, INC. Consulting Engineers			
P.O. Box 1943		Harrisburg, Penna.	
CHANNEL DETAILS & PROFILE			
DRAWN BY JS	DATE JULY 8, 1974	DRAWING NO.	
CHECKED BY MW	SCALE AS SHOWN	8 OF 11	