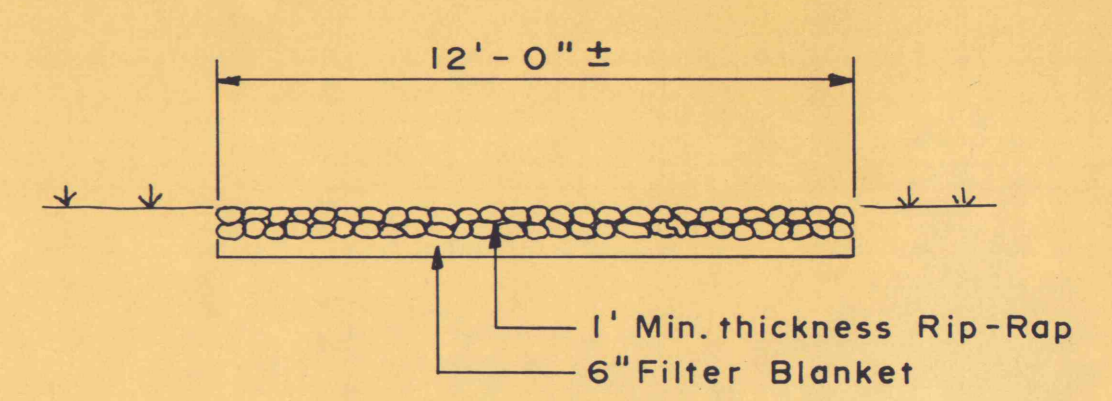
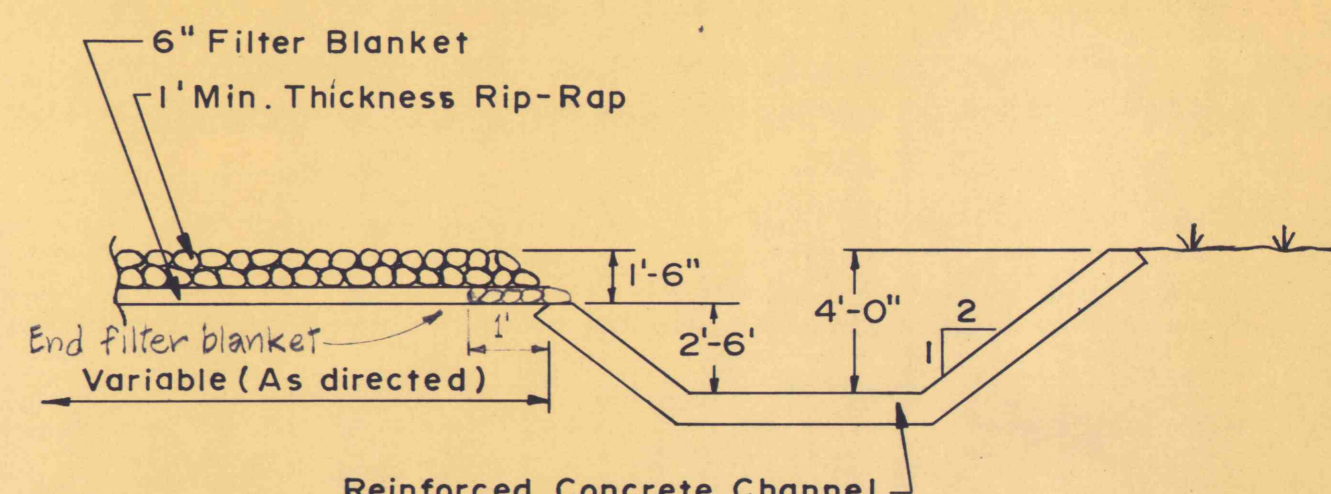


PLAN
No Scale



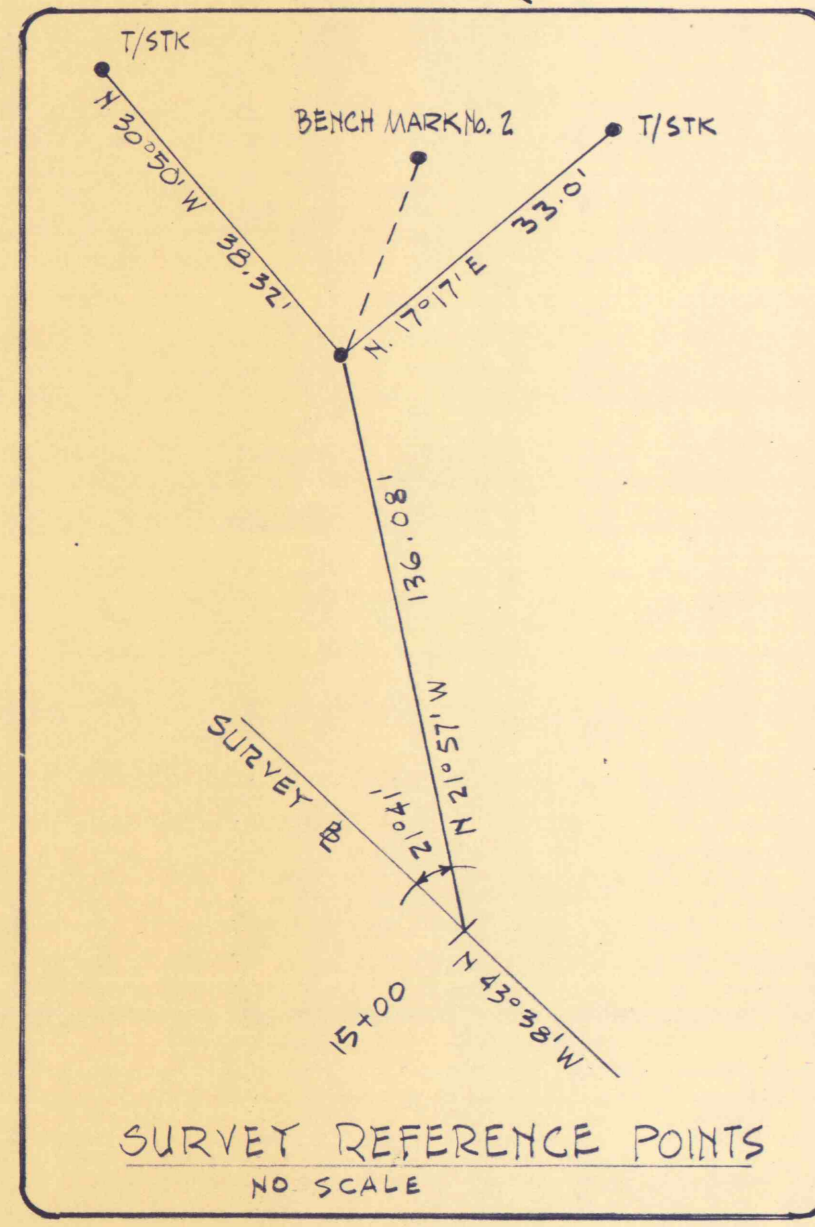
SECTION C-C
No Scale



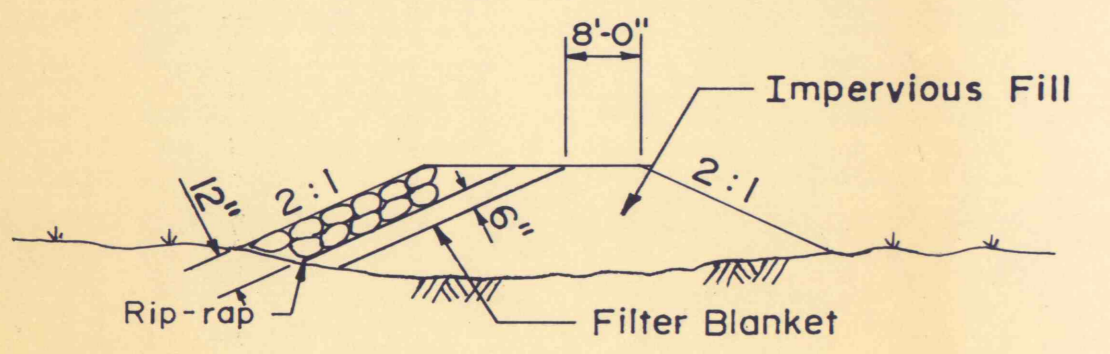
SECTION D-D
No Scale

Constr. C
P.I. STA. 27+48.20
 $\Delta = 29^\circ 47' 35.6''$ LT.
 $D = 9^\circ 35' 09''$
 $T = 159.00'$
 $L = 310.80'$
 $R = 597.71'$
 $E = 20.79'$

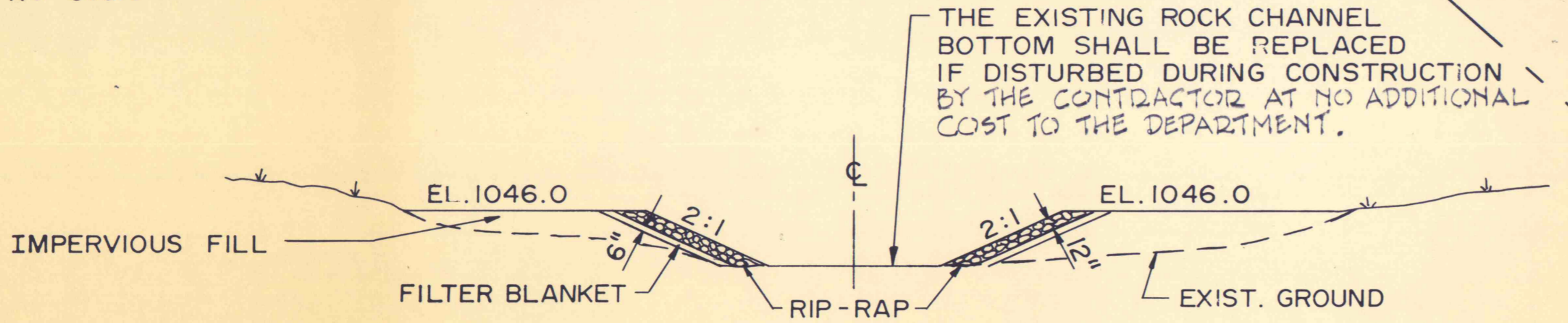
Note:
At areas adjacent to the channel which are subject to concentrated side flows approximate Sta. 25+50 and Sta. 26+50, stone for rip-rap shall be placed and spread on a gravel filter blanket where indicated on the plan or as directed by the Engineer. Installation shall be in conformance with Section 16 of Standard Specifications within reasonably close conformity to the sections shown on these drawings or as established by the Engineer.



SURVEY REFERENCE POINTS
No Scale



SECTION A-A THRU EARTH CHANNEL SECTION
No Scale



SECTION B-B THRU EARTH CHANNEL SECTION
No Scale

THE EXISTING ROCK CHANNEL BOTTOM SHALL BE REPLACED IF DISTURBED DURING CONSTRUCTION BY THE CONTRACTOR AT NO ADDITIONAL COST TO THE DEPARTMENT.

Note:
Trees shall be planted along both sides of channel in accordance with specifications S.R. #19.

MATCH LINE WITH DRAWING NO. 5
STA. 25+42

LEGEND

- LIMIT OF GRADING —————
- LIMIT OF CONTRACTOR'S WORKING AREA - - - - -
- LIMIT OF REVEGETATION - - - - -

| NO. | DATE | REVISION | APPR. |
|--|---------------|-------------|-------|
| SUBMITTED | | | |
| <i>Harvey P. Cowley</i> PROFESSIONAL ENGINEER | | | |
| APPROVED | | | |
| <i>Robert A. Roman</i> CHIEF - DIVISION OF MINE RECLAMATION | | | |
| APPROVED | | | |
| <i>DeFuria</i> DIRECTOR - BUREAU OF DESIGN | | | |
| | | | |
| COMMONWEALTH OF PENNSYLVANIA DEPARTMENT OF ENVIRONMENTAL RESOURCES OFFICE OF RESOURCES MANAGEMENT | | | |
| PROJECT NO. SL 126-1-5 MINE DRAINAGE POLLUTION ABATEMENT SWATARA CREEK WATERSHED UPPER SWATARA CREEK & POLLY'S RUN REILLY TWP. SCHUYLKILL CO., PA. | | | |
| NICHOLAS-COWLEY-BROSCH ASSOC., INC. Consulting Engineers 3300 North Third St. Harrisburg, Pa. | | | |
| UPPER SWATARA CREEK PART II | | | |
| DRAWN BY | DATE | DRAWING NO. | |
| BEN | Jan. 11, 1974 | 6 of 9 | |
| CHECKED BY | SCALE | | |
| HPC | 1" = 20' | | |