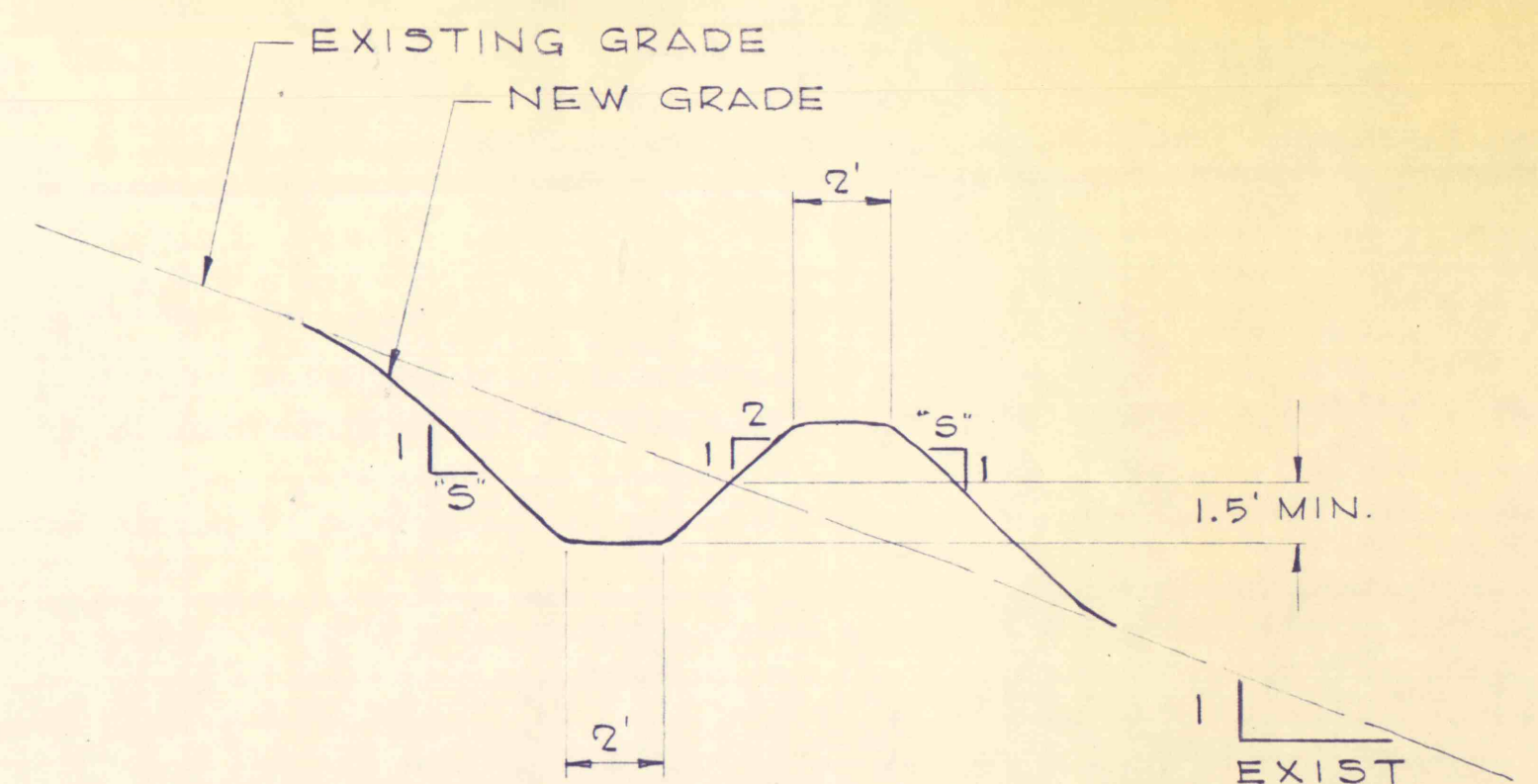
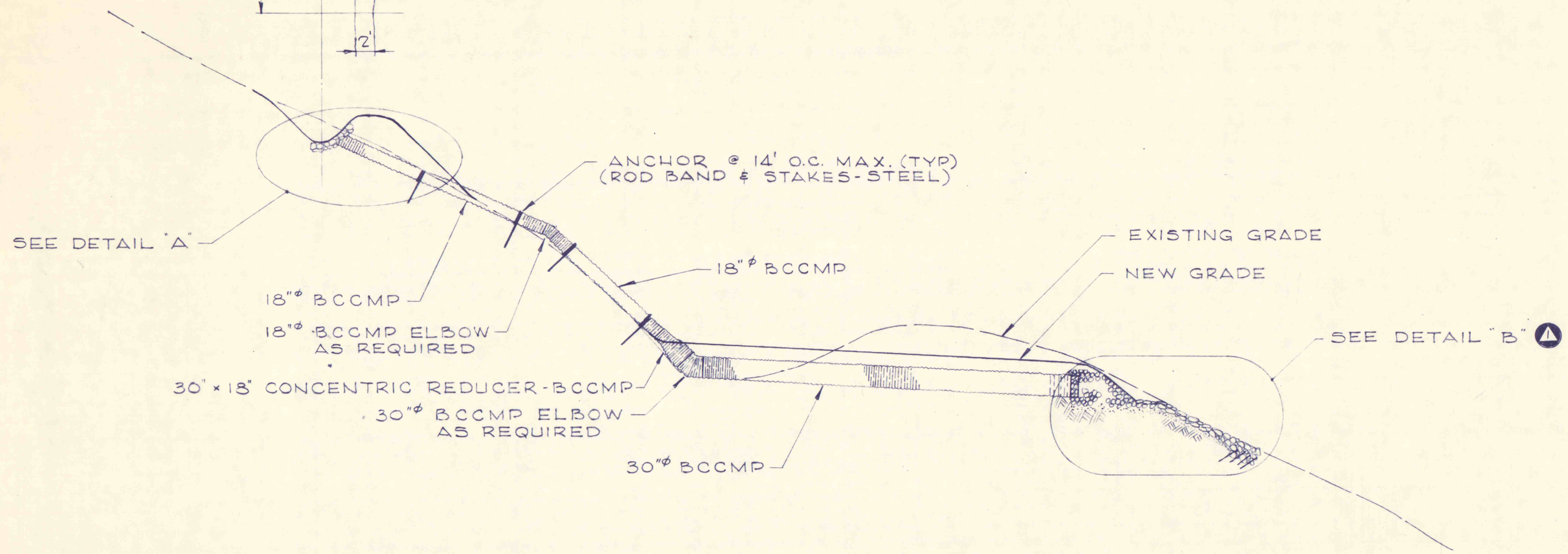


P L A N



TYPICAL DITCH SECTION

EXIST	5"
2 OR LESS	1
2 TO 3	1 TO 2
3 OR MORE	2

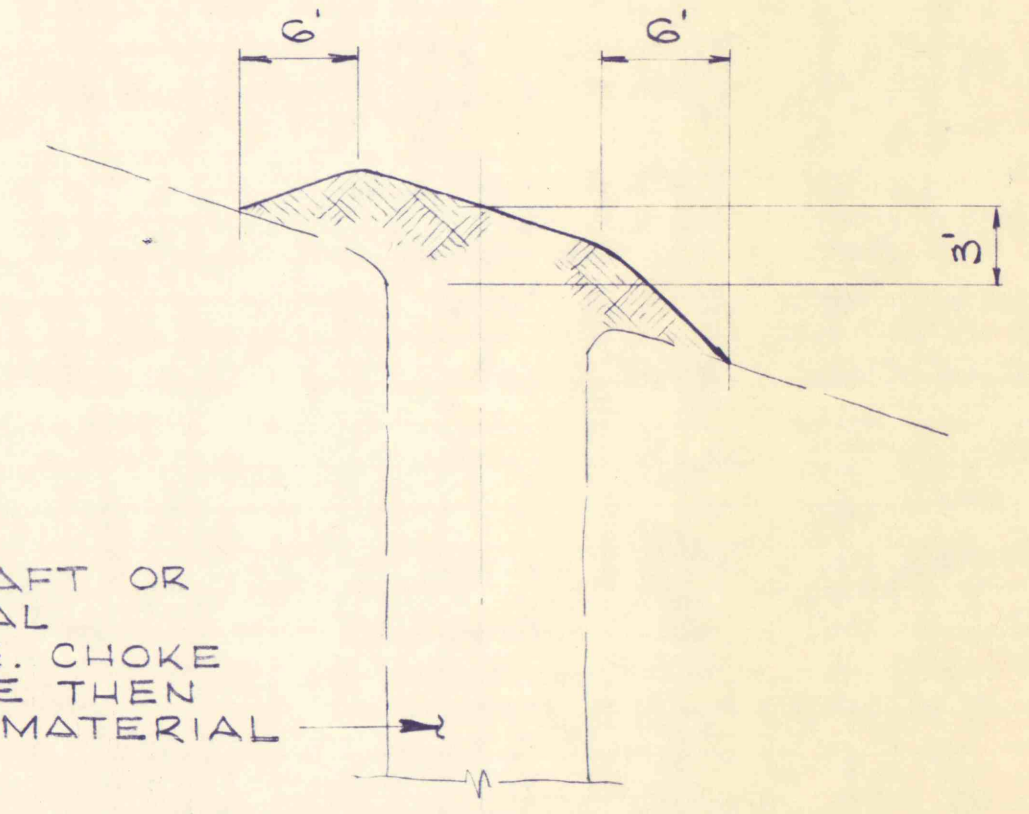


S E C T I O N

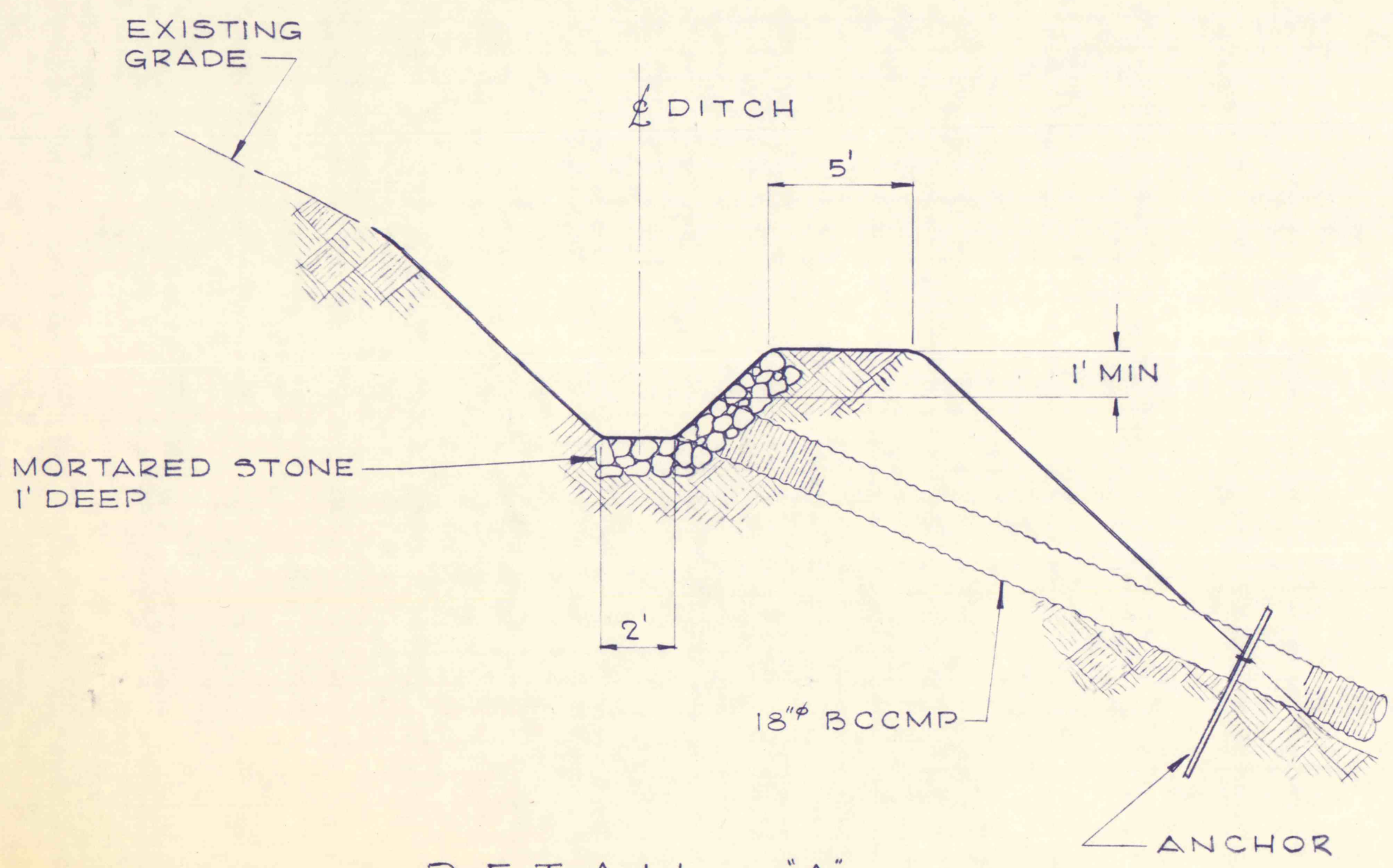
TYPICAL PLAN & SECTION AT DRAINAGE STRUCTURE

SCALE : 1" = 10' HORIZ, 1" = 10' VERT

NOTE: SEE DRAWING NO. 1 THRU 5 FOR LOCATIONS, SIZES & SLOPES OF DRAINAGE STRUCTURES. SECTION & DETAILS ARE FOR STA 14+90, OTHER STATIONS TYPICAL.

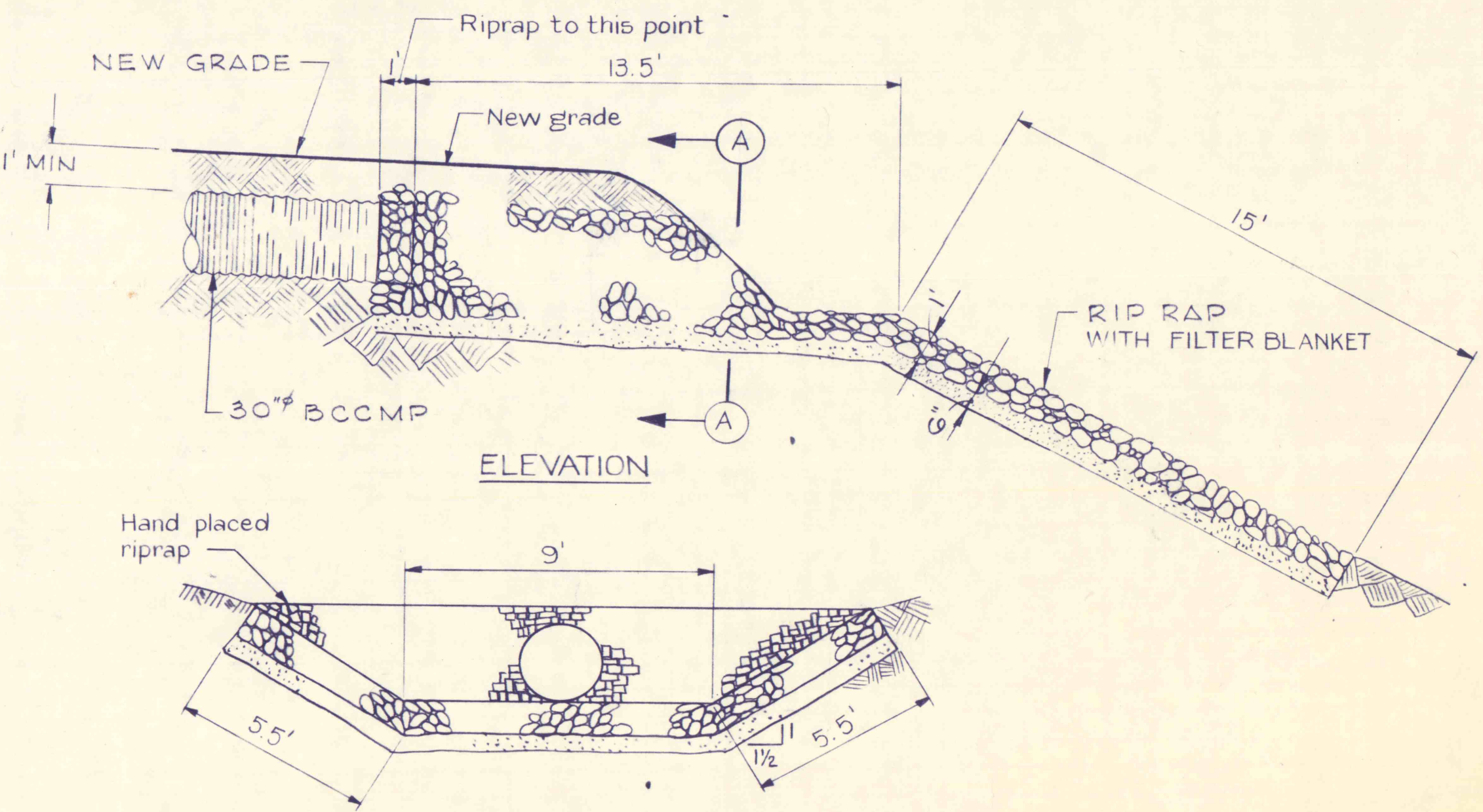


TYPICAL METHOD OF FILLING EXISTING SHAFTS



DETAIL "A"

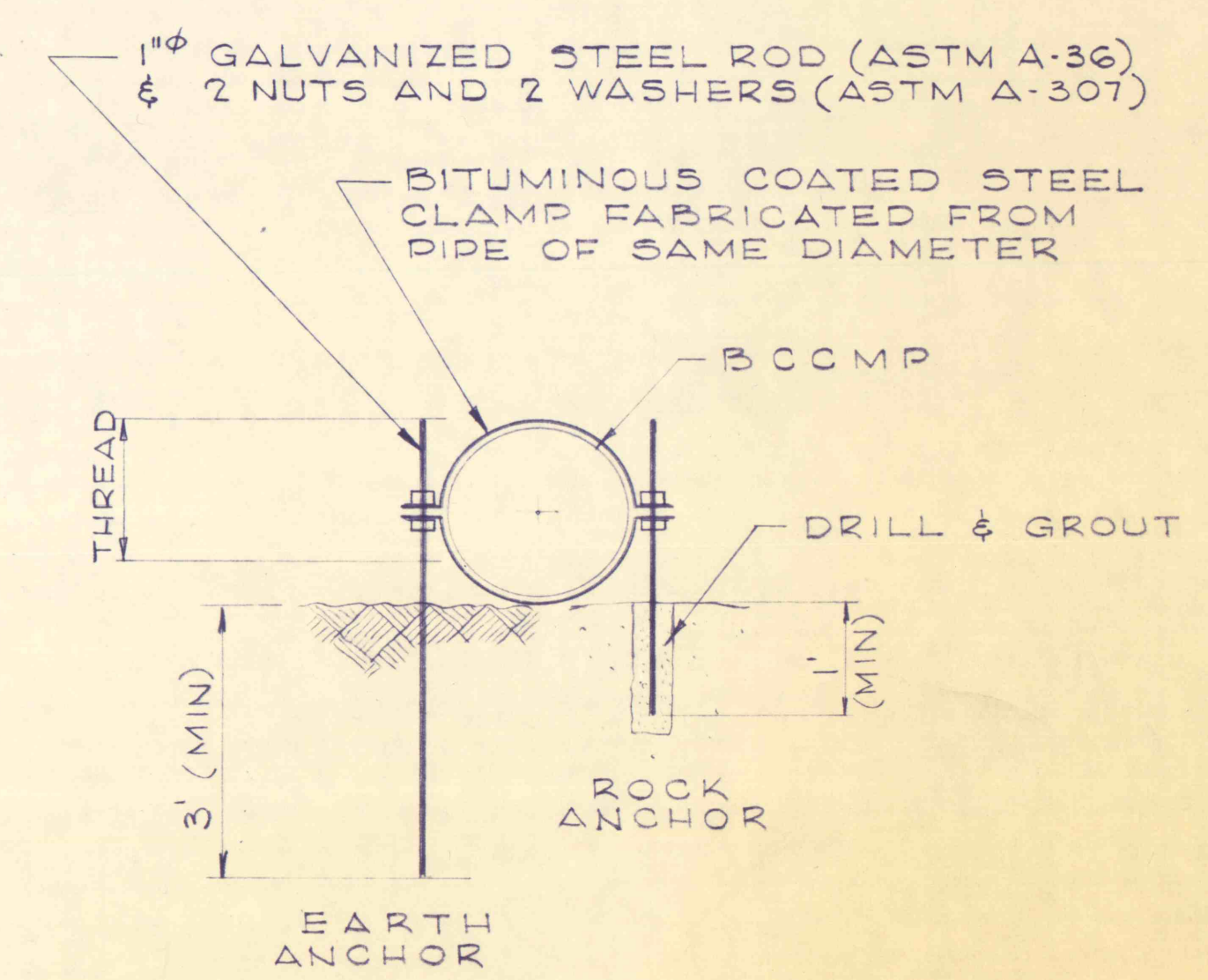
SEE TYPICAL DITCH SECTION FOR SIDE SLOPES



ELEVATION

SECTION A-A

DETAIL "B"



TYPICAL ANCHOR DETAIL

NO.	DATE	REVISION	APPR.
324-75	As built		
SUBMITTED <i>Thomas Richard Barack</i>			
APPROVED <i>Thomas Richard Barack</i> PROFESSIONAL CHIEF - DIVISION OF MINE REHABILITATION			
APPROVED <i>D.W. Penney</i> DIRECTOR - BUREAU OF CONSULTING SERVICES			
COMMONWEALTH OF PENNSYLVANIA DEPARTMENT OF ENVIRONMENTAL RESOURCES OFFICE OF ENGINEERING AND CONSTRUCTION			
PROJECT NO. SL-170 STRIP MINE RECLAMATION QUICK START PROJECT "B" STATE GAME LAND NO. 264 WICONISCO CREEK WATERSHED DAUPHIN COUNTY, PENNA.			
<b>SANDERS AND THOMAS, INC.</b> CONSULTING ENGINEERS <small>EXECUTIVE OFFICES: POTTSTOWN, PENNSYLVANIA          BRANCH OFFICES: PHILADELPHIA, PA. - LONG ISLAND, N.Y. - MIAMI, FLA.          PITTSBURGH, PA. - BALTIMORE, MD. - LONG BEACH, CALIF. - WASHINGTON, D.C.</small>			

DRAINAGE DETAILS

DRAWN BY	DATE	DRAWING NO.
DAR	MAY 4 1973	70
CHECKED BY	SCALE	
TB	AS NOTED	