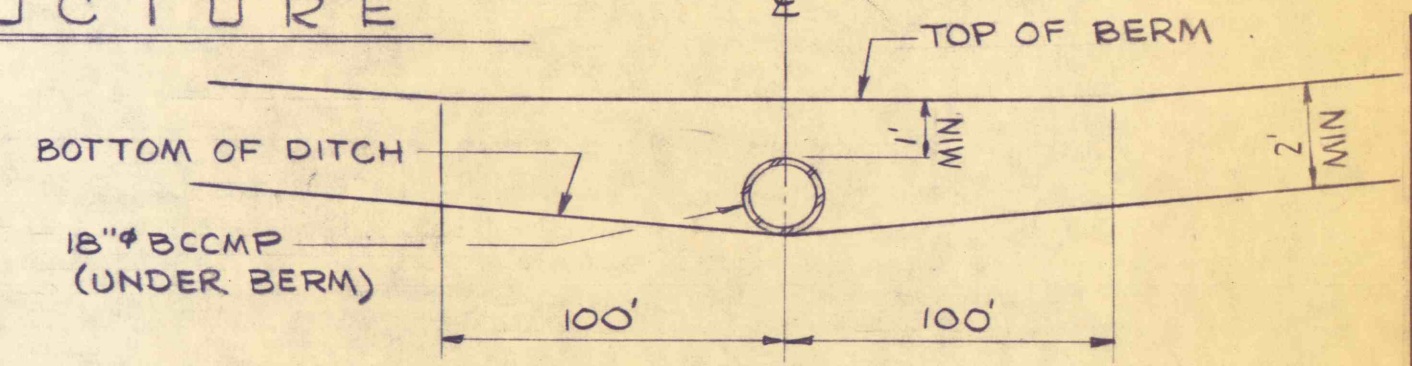


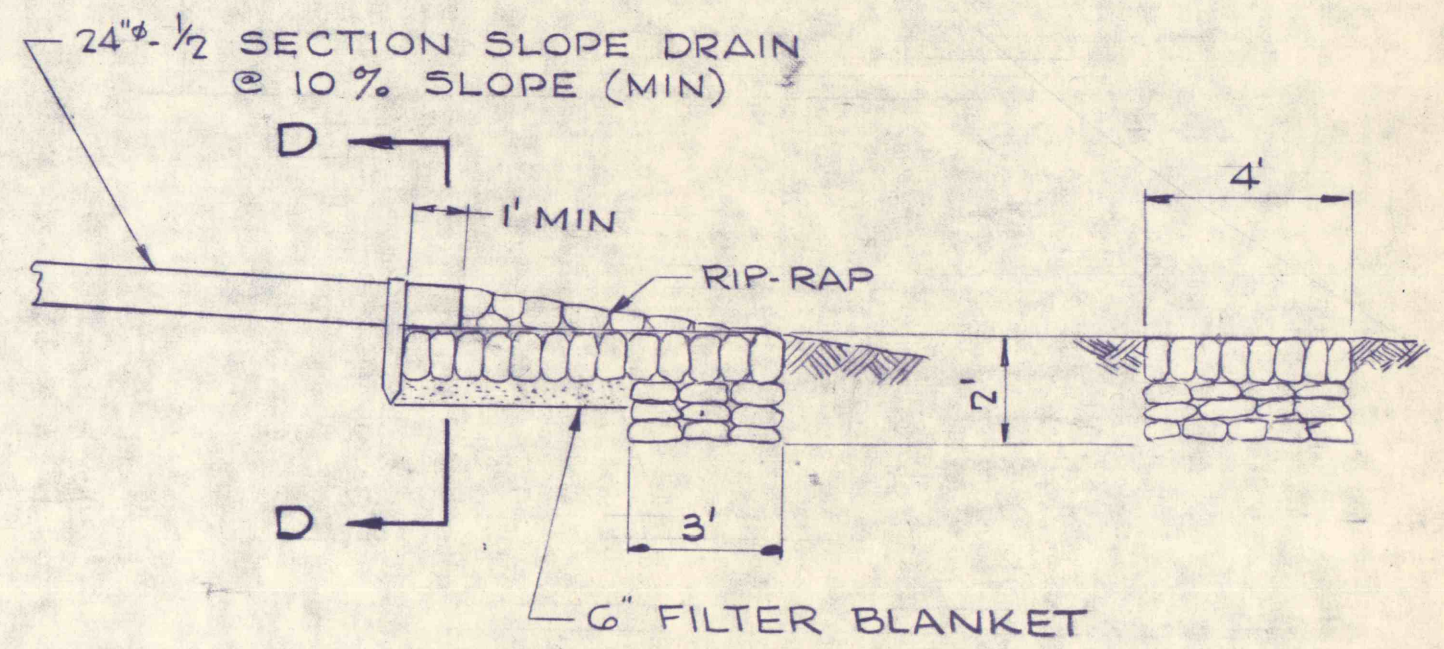
SECTION
TYPICAL PLAN & SECTION AT DRAINAGE STRUCTURE

SCALE: 1" = 10' HORIZ, 1" = 10' VERT

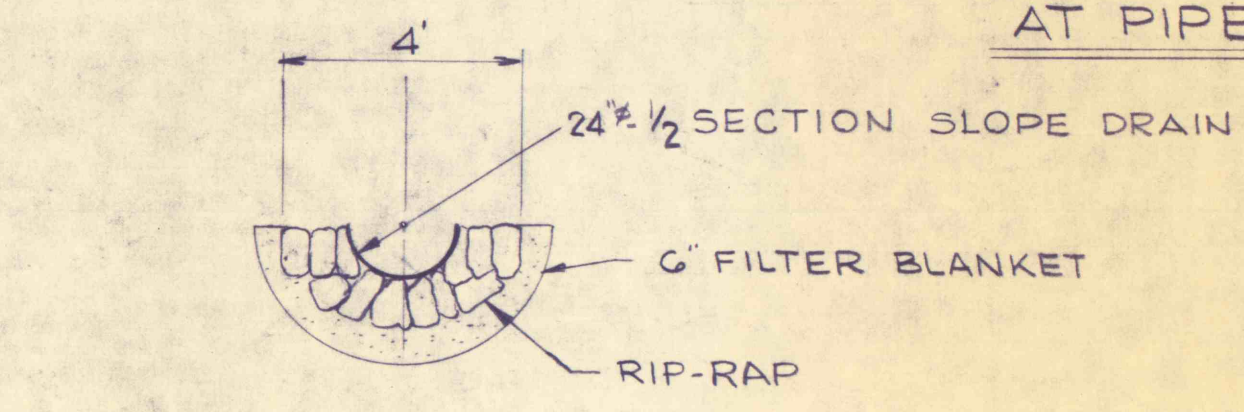
NOTE: SEE DRAWING NO. 1 THRU 5 FOR LOCATIONS, SIZES & SLOPES.
 SECTION & DETAILS IS FOR STA 422+50, OTHER STATIONS TYPICAL.



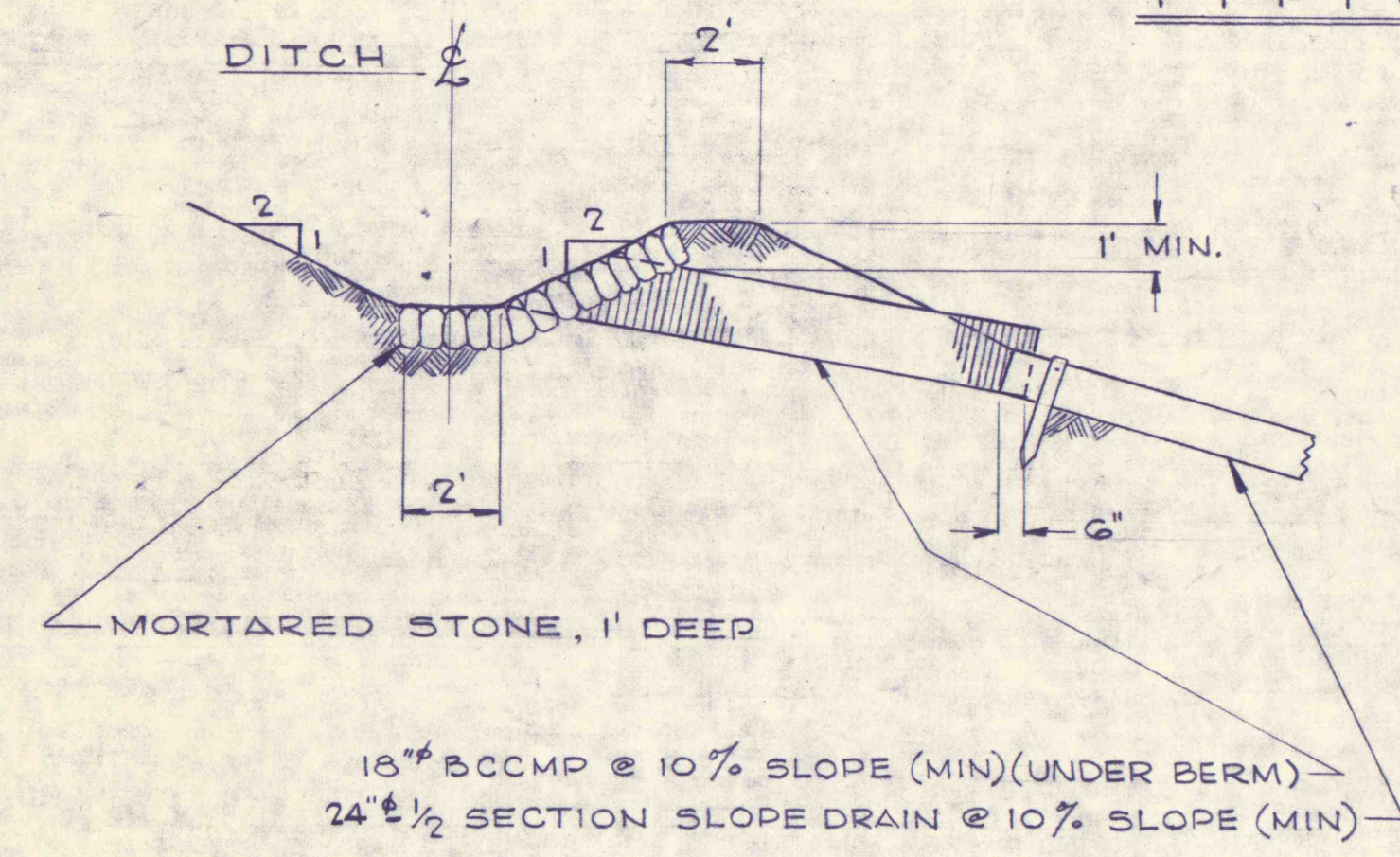
TYPICAL LONGITUDINAL DITCH SECTION
AT PIPE UNDER BERM



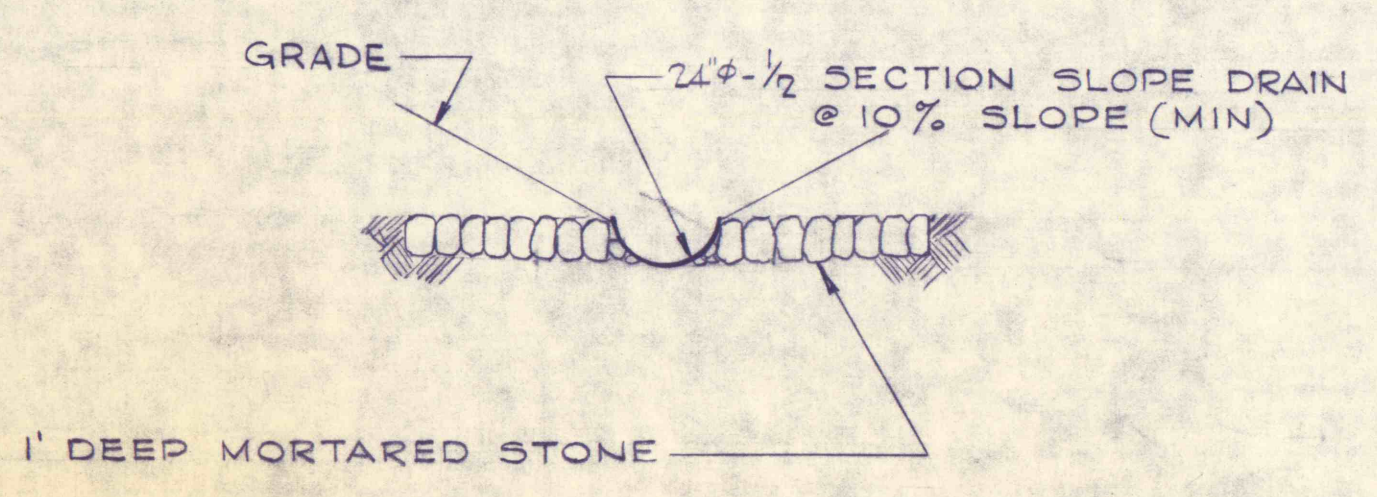
DETAIL "C"



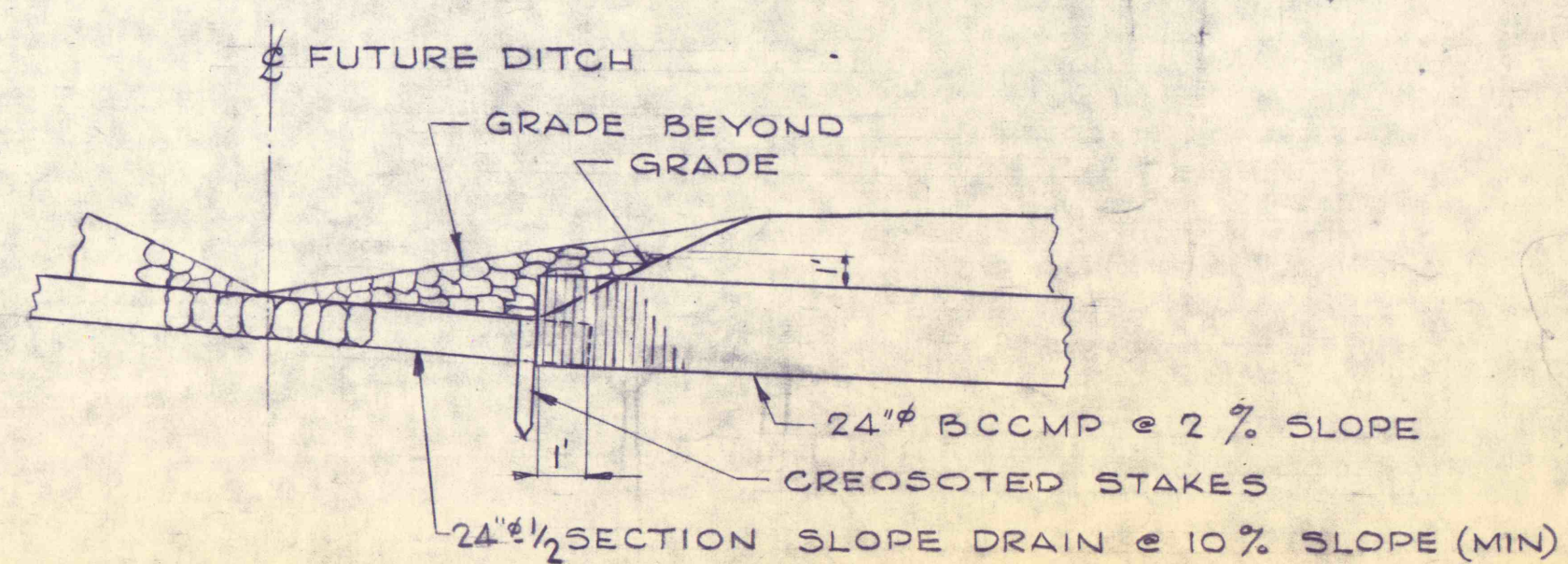
SECTION D-D



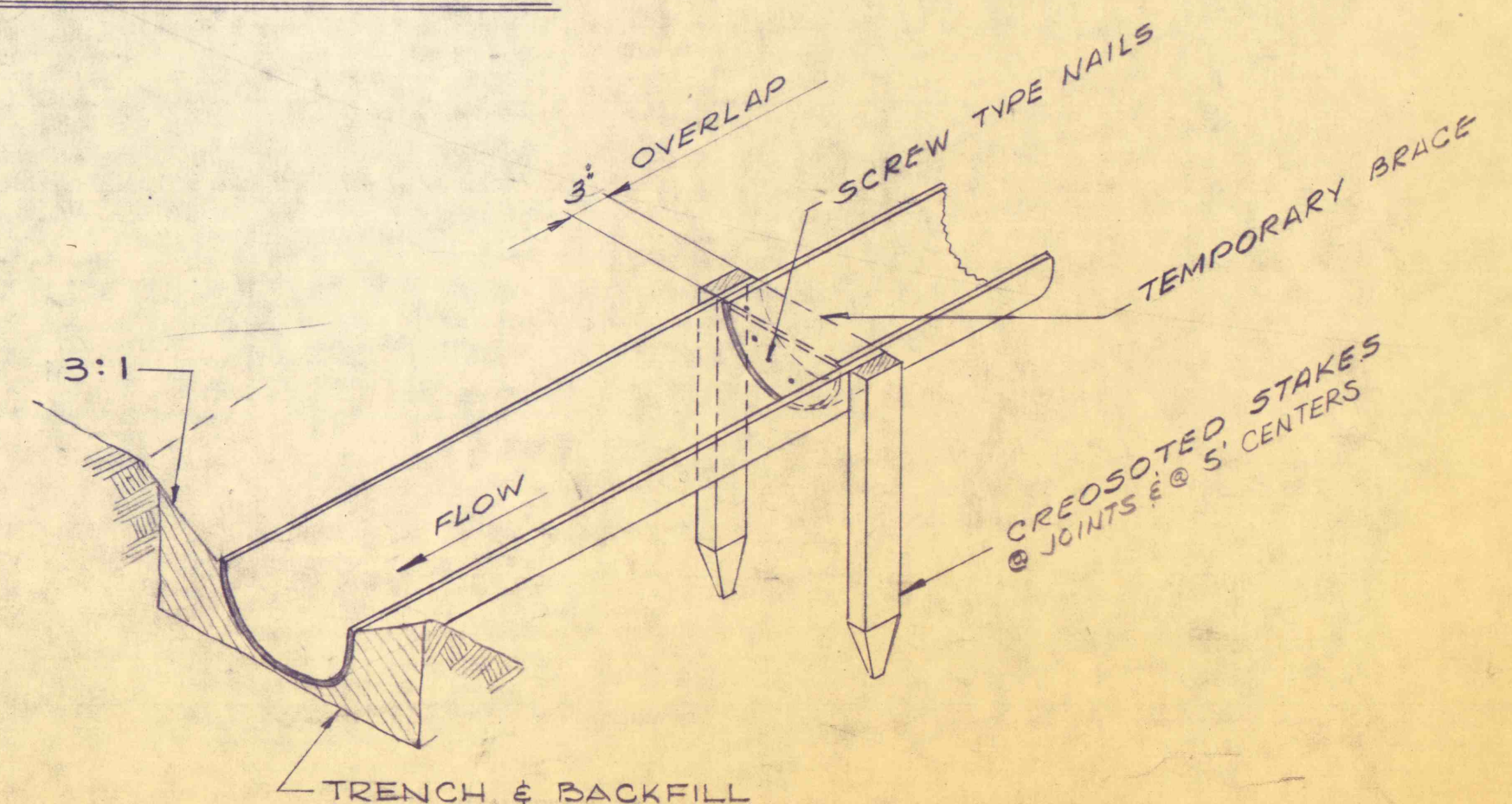
DETAIL "A"



SECTION B-B



DETAIL "E"



INSTALLATION OF HALF SECTION
BITUMINIZED FIBER DRAIN

NO.	DATE	REVISION

SUBMITTED: *Thomas P. Sanders*
 PROFESSIONAL
 APPROVED: *John C. ...*
 CHIEF - DIVISION OF MINE DRAINAGE
 APPROVED: *Sam ...*
 DIRECTOR - BUREAU OF CONSULTING

COMMONWEALTH OF
 DEPARTMENT OF ENVIRONMENTAL & NATURAL RESOURCES
 OFFICE OF ENGINEERING

PROJECT NO.
 STRIP MINE RE
 QUICK START
 STATE GAME L
 WICONISCO CREE
 DAUPHIN CO

SANDERS AND
 CONSULTING
 EXECUTIVE OFFICES
 BRANCH OFFICES: PHILADELPHIA
 PITTSBURGH, PA. - BALTIMORE, MD.

DRAINAGE

DRAWN BY D.A.R.	DATE DEC 5
CHECKED BY T.B.	SCALE AS SHOWN