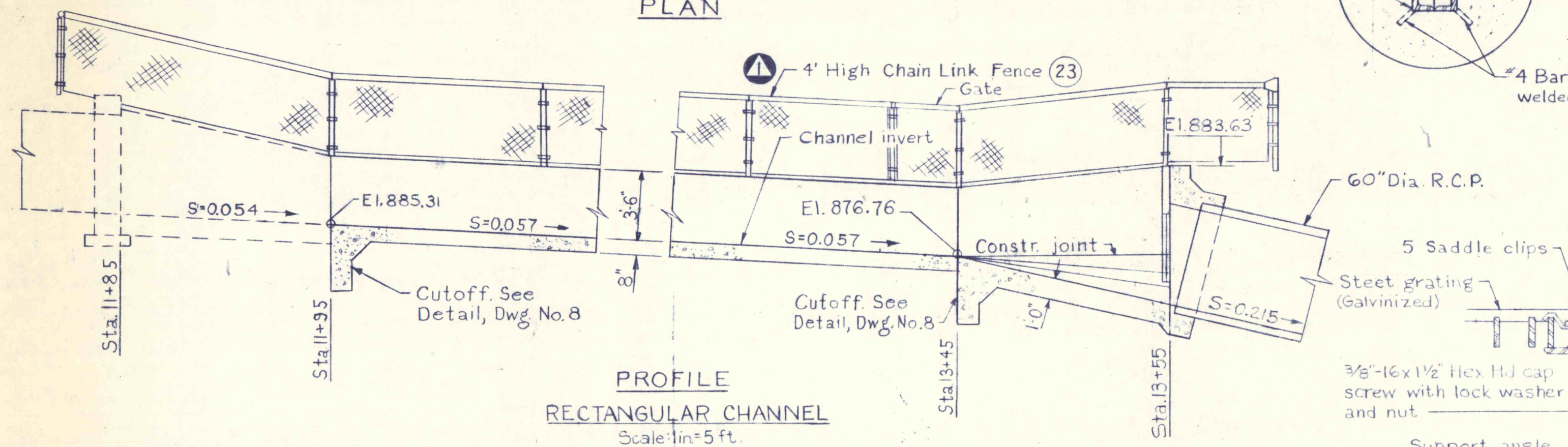
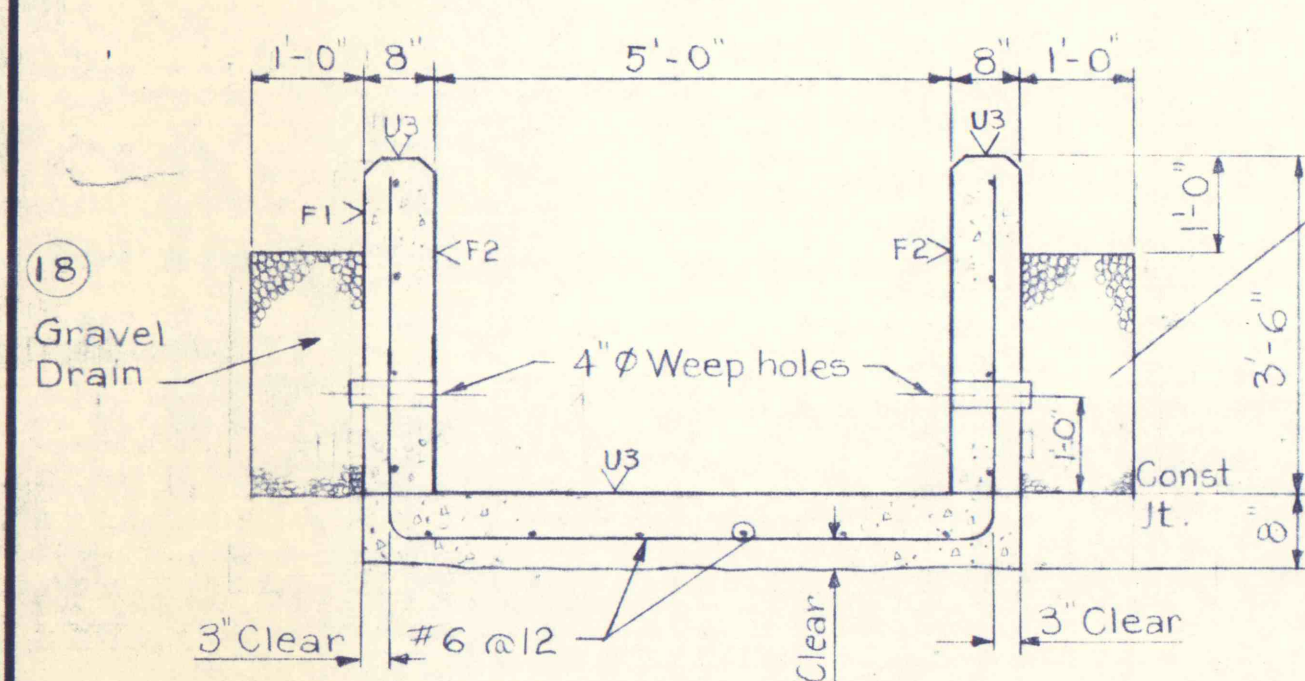


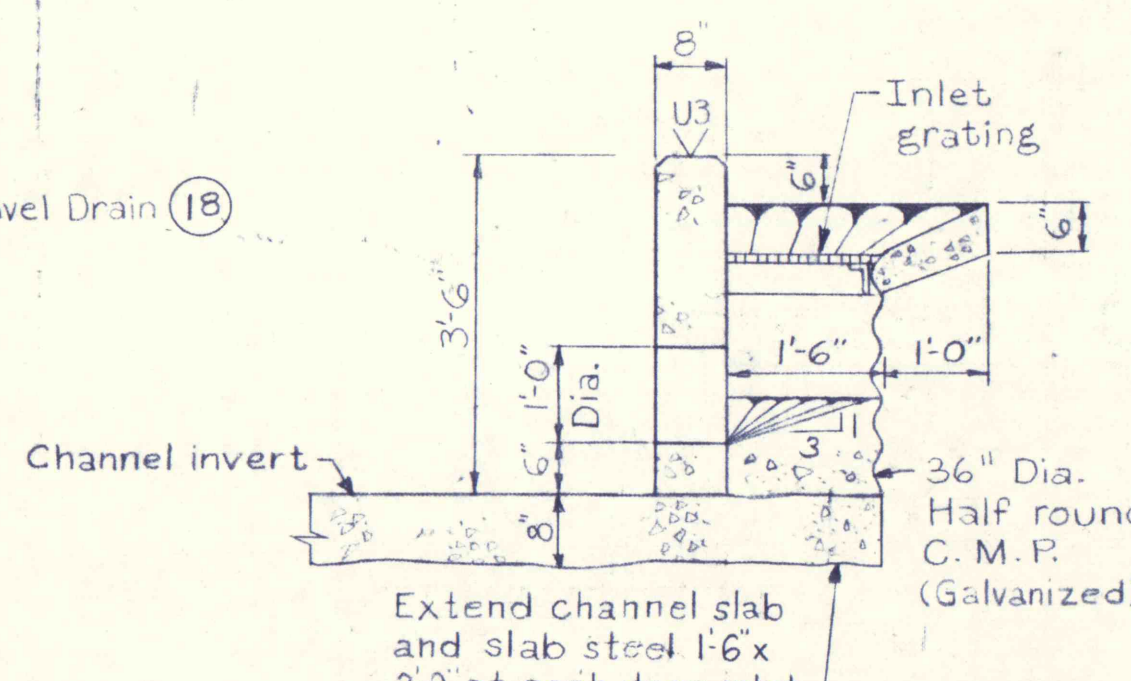
PLAN



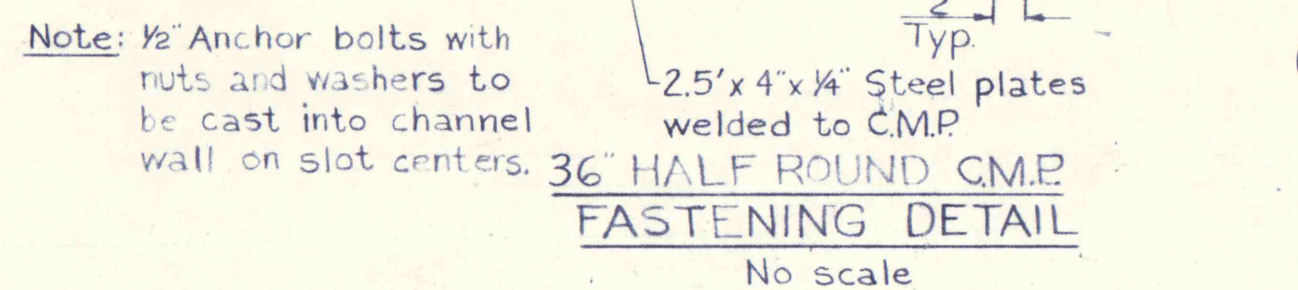
PROFILE  
RECTANGULAR CHANNEL  
Scale: 1 in = 5 ft.



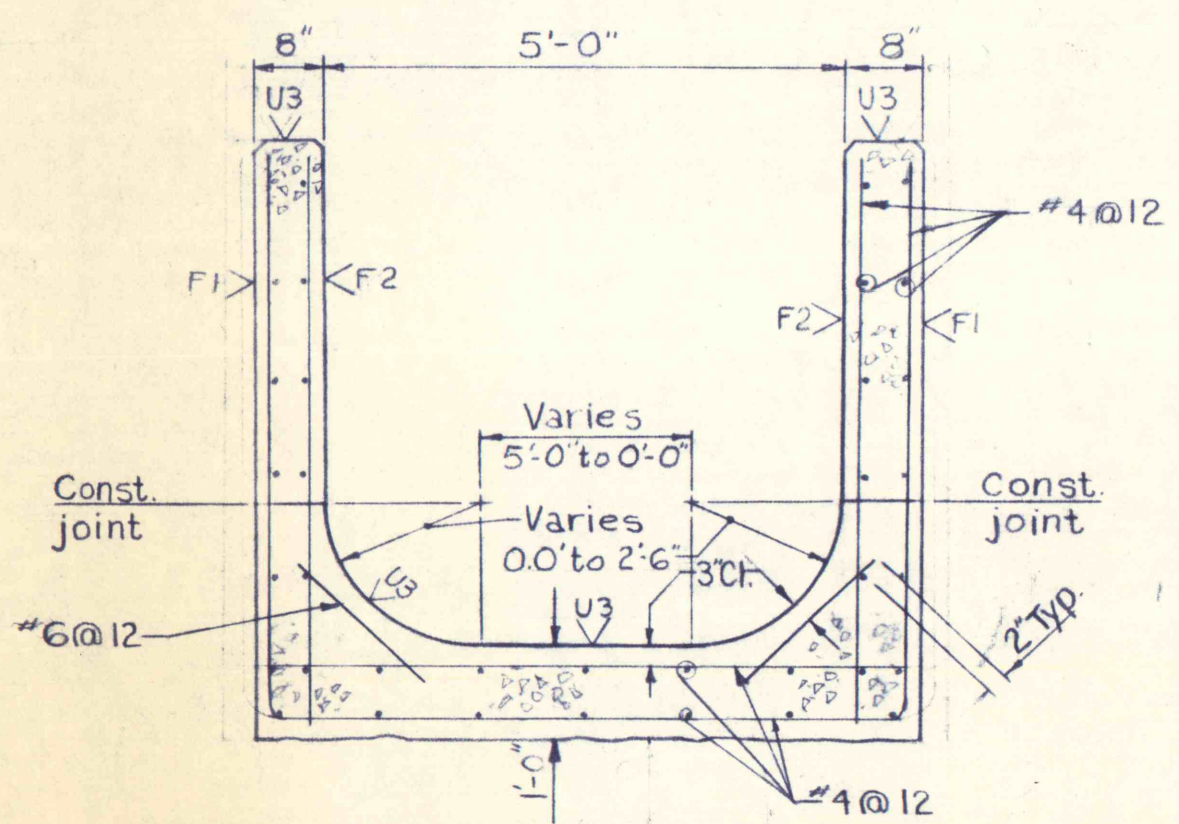
TYPICAL RECTANGULAR CHANNEL  
STA. 11+95 to STA. 13+45  
Scale: 1/2 in = 1 ft.



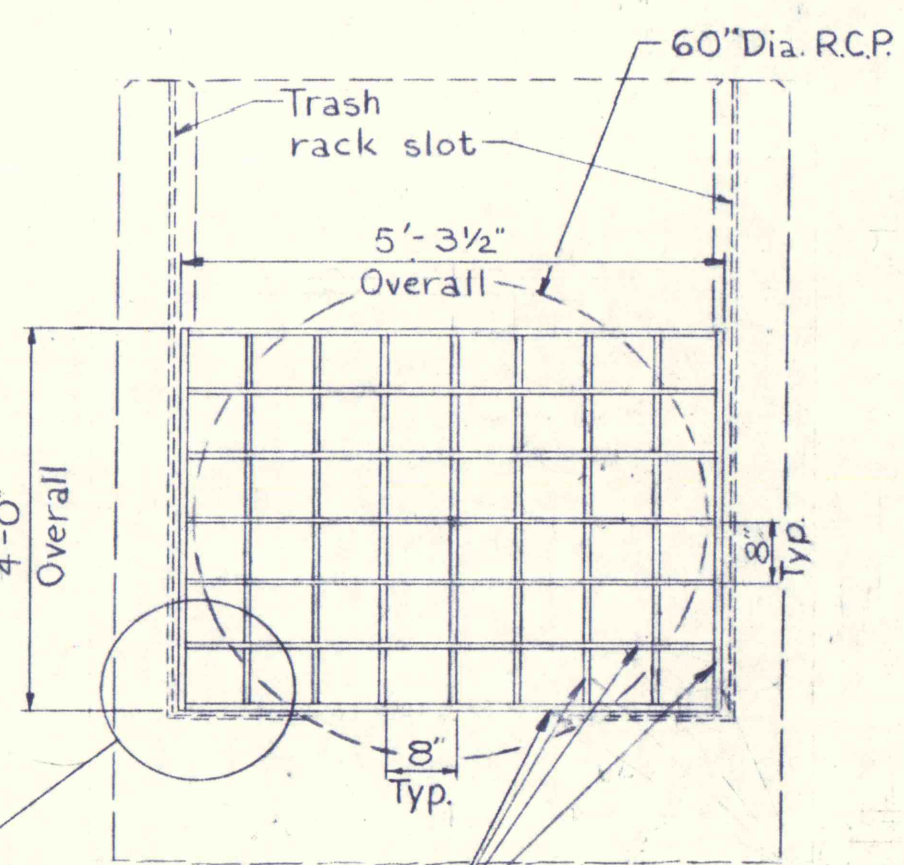
SECTION 10A/10  
DROP INLET  
Scale: 1/2 in = 1 ft.



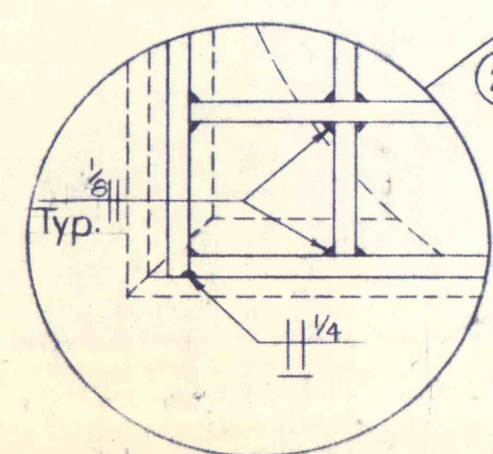
INLET GRATING SUPPORT DETAIL  
No scale



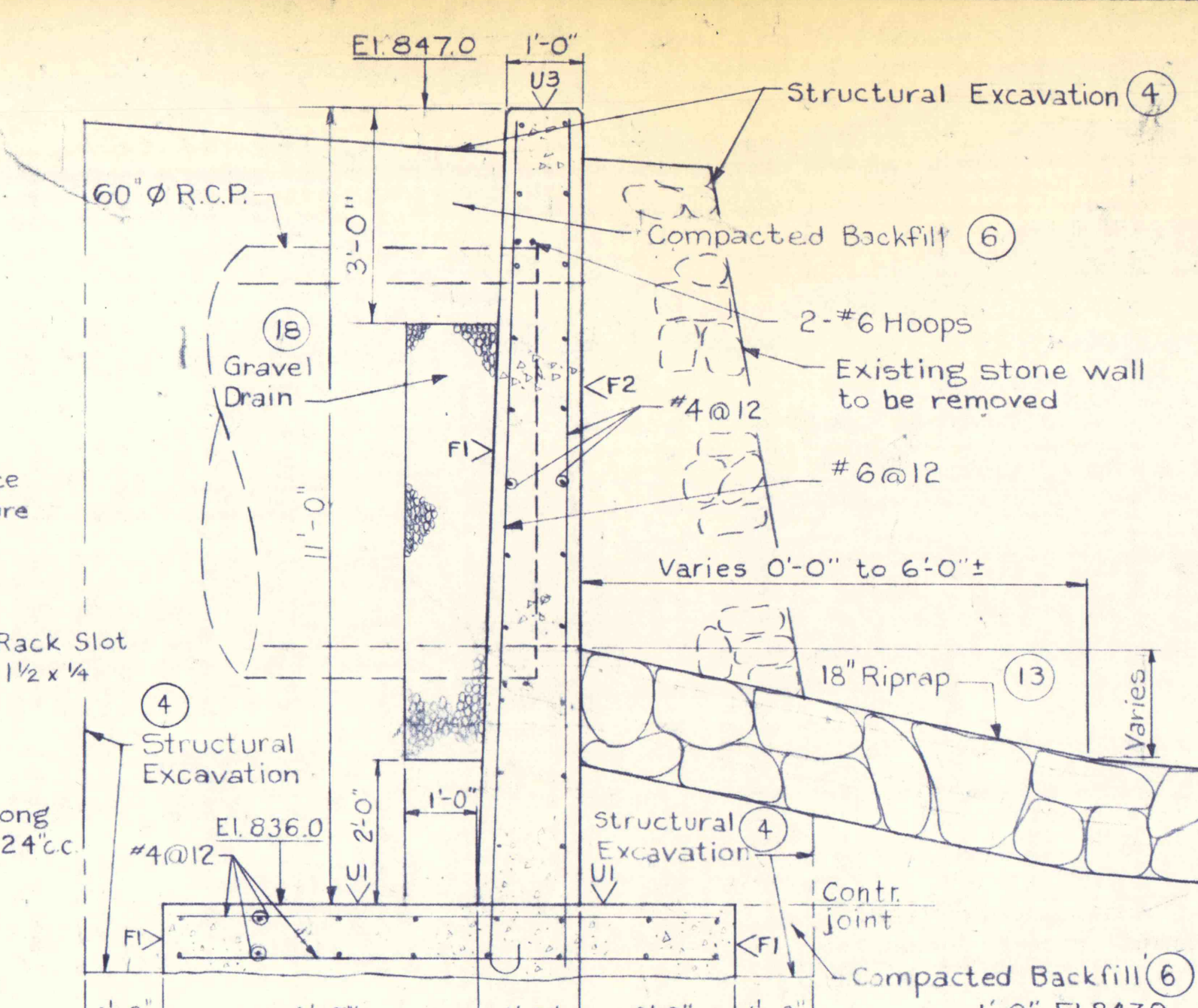
SECTION 10B/10  
INLET TRANSITION  
Scale: 1/2 in = 1 ft.



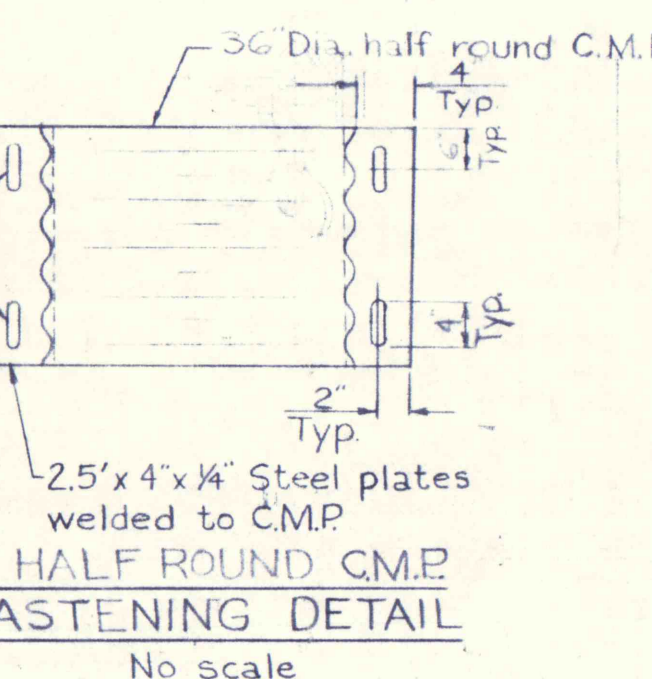
ELEVATION  
TRASH RACK DETAILS  
Scale: 1/2 in = 1 ft.



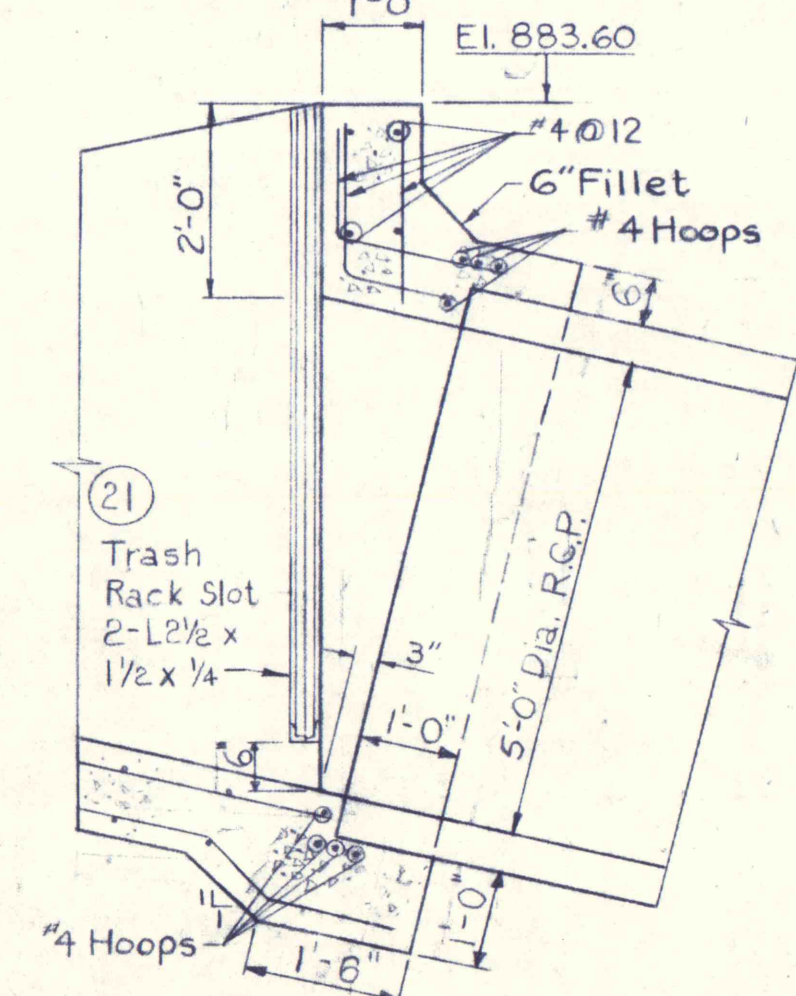
CONCRETE INLET STRUCTURE



SECTION 10C/10  
Scale: 1/2 in = 1 ft.

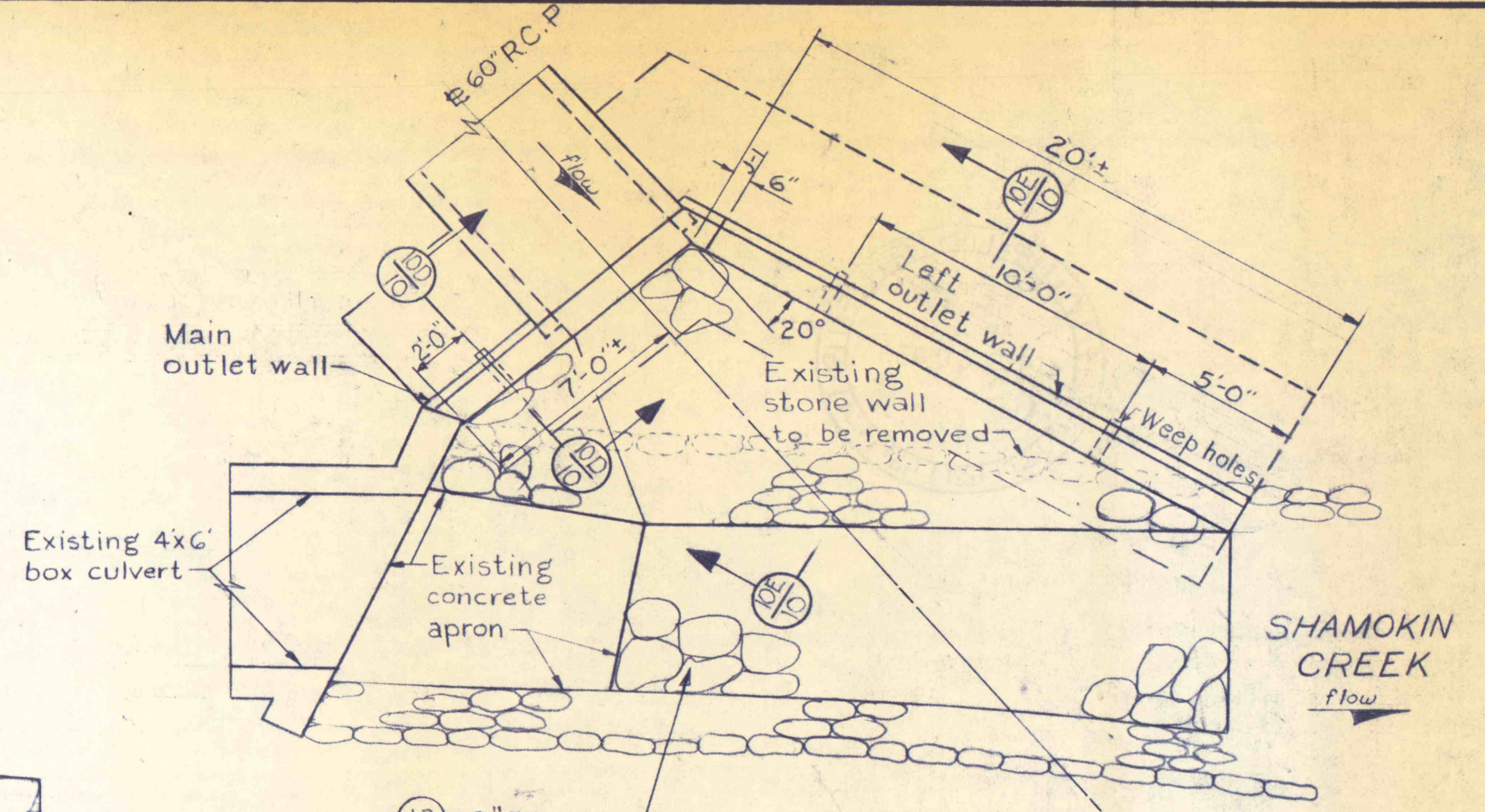


36\"/>

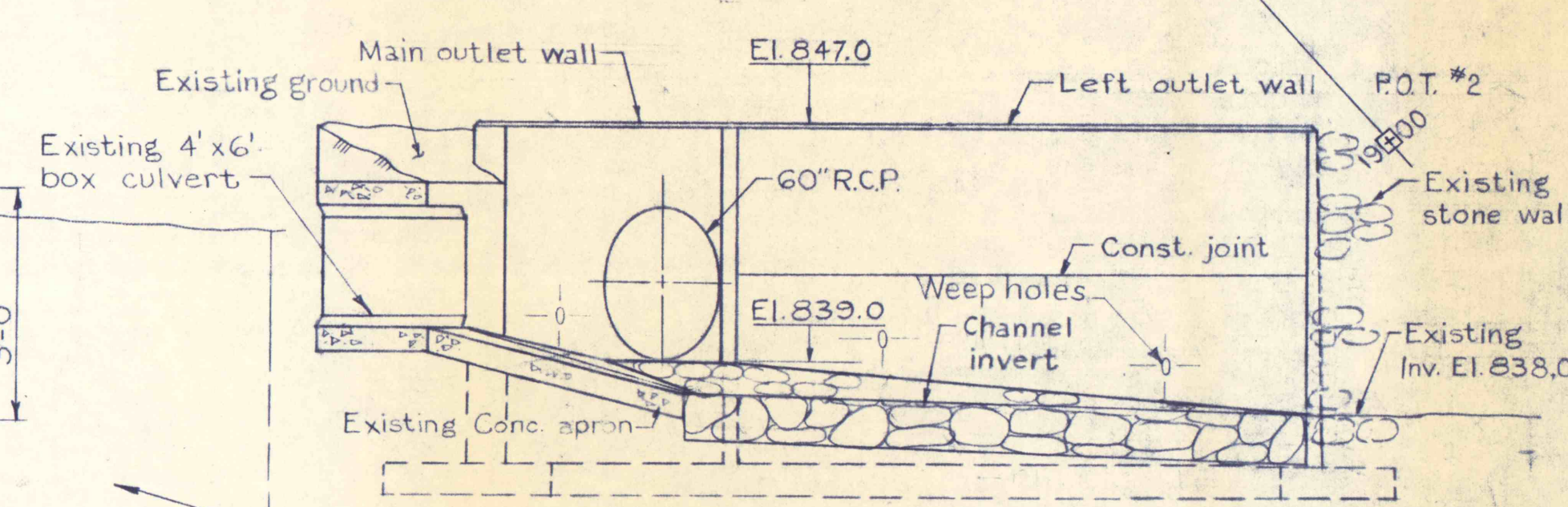


SECTION 10D/10  
Scale: 1/2 in = 1 ft.

PRE-CAST REINFORCED CONCRETE MANHOLE  
No scale

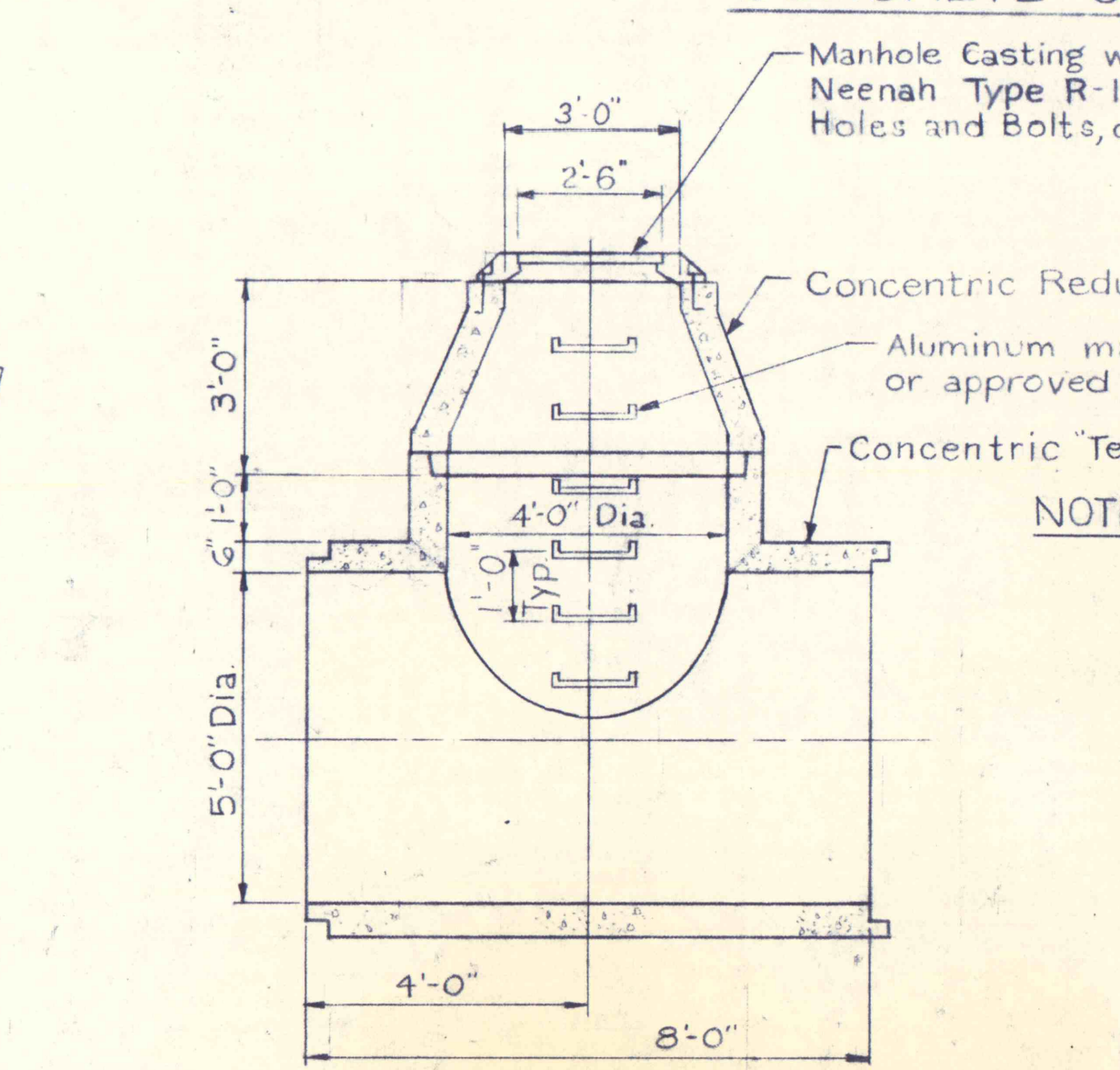


PLAN  
Scale: 1 in = 5 ft.



ELEVATION  
Scale: 1 in = 5 ft.

CONCRETE OUTLET STRUCTURE



SECTION 10E/10  
Scale: 1/2 in = 1 ft.

- REFERENCES:
1. Plan and Profile --- Dwg. Nos. 3, 4 and 5
  2. Cross Sections --- Dwg. Nos. 6 and 7

19Apr75 Add chain link fence			
NO.	DATE	REVISION	APPR.
SUBMITTED			
PROJECT CO-ORDINATOR			
APPROVED			
CHIEF-DIVISION OF MINE RECLAMATION			
APPROVED			
DIRECTOR - BUREAU OF DESIGN			
COMMONWEALTH OF PENNSYLVANIA DEPARTMENT OF ENVIRONMENTAL RESOURCES OFFICE OF RESOURCES MANAGEMENT			
CONTRACT NO. SL 113-3-1			
MINE DRAINAGE POLLUTION ABATEMENT MOUNT CARMEL SHAMOKIN CREEK WATERSHED NORTHUMBERLAND CO., PA.			
<b>DETAILS</b>			
DRAWN BY	DATE	DRAWING NO.	
8-18-75	8-18-75	10 of	
CHECKED BY	SCALE		
As shown	As shown		