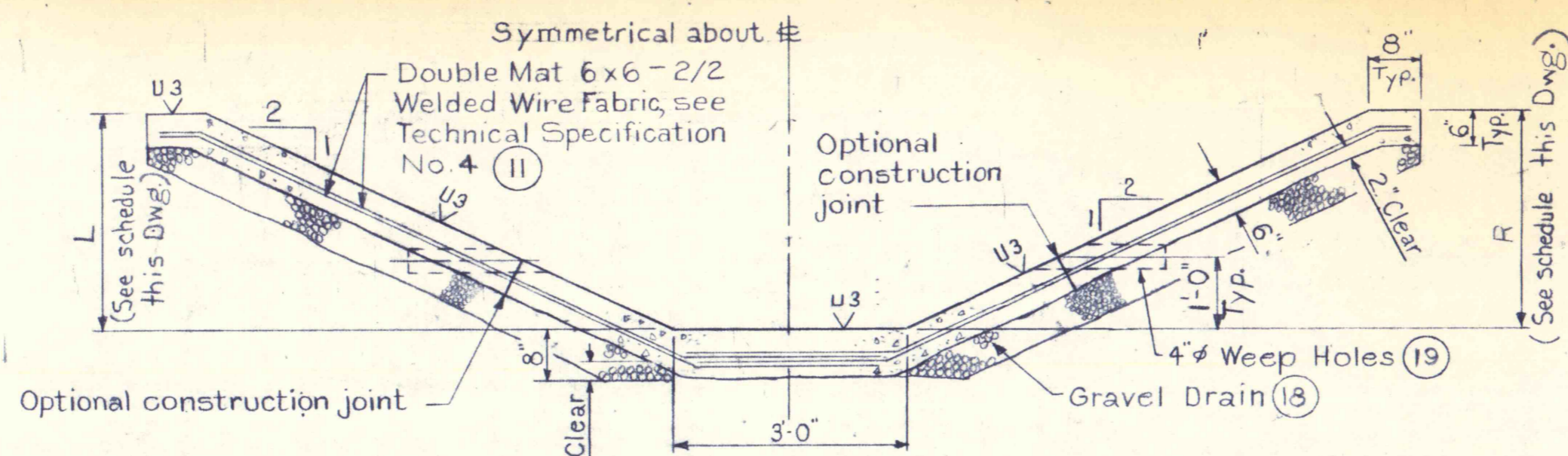
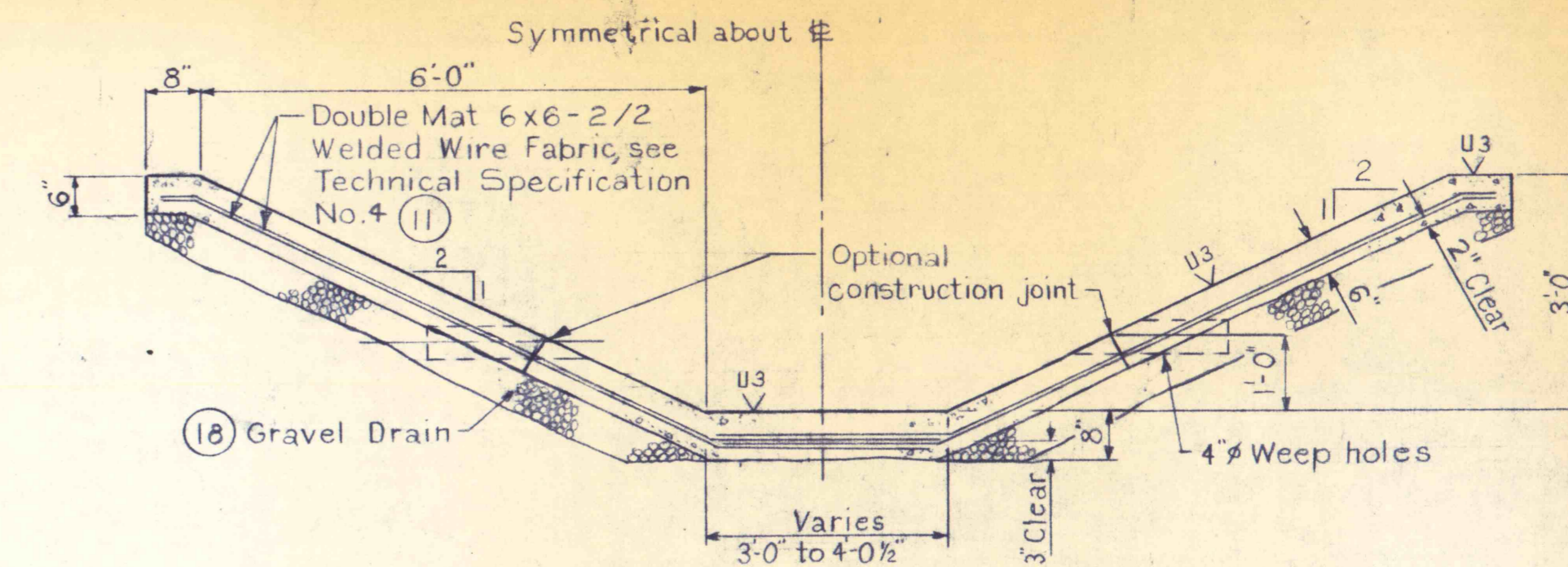


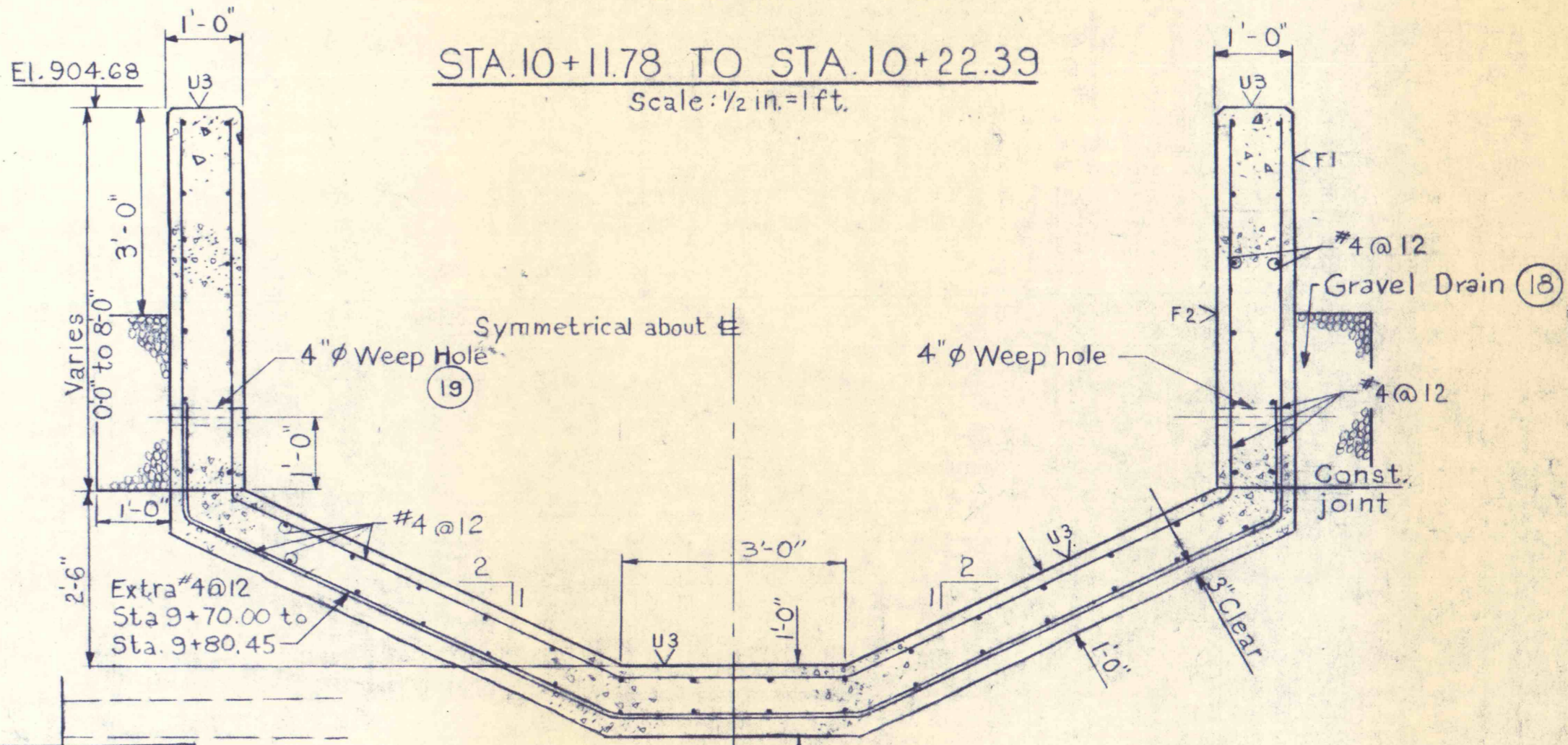
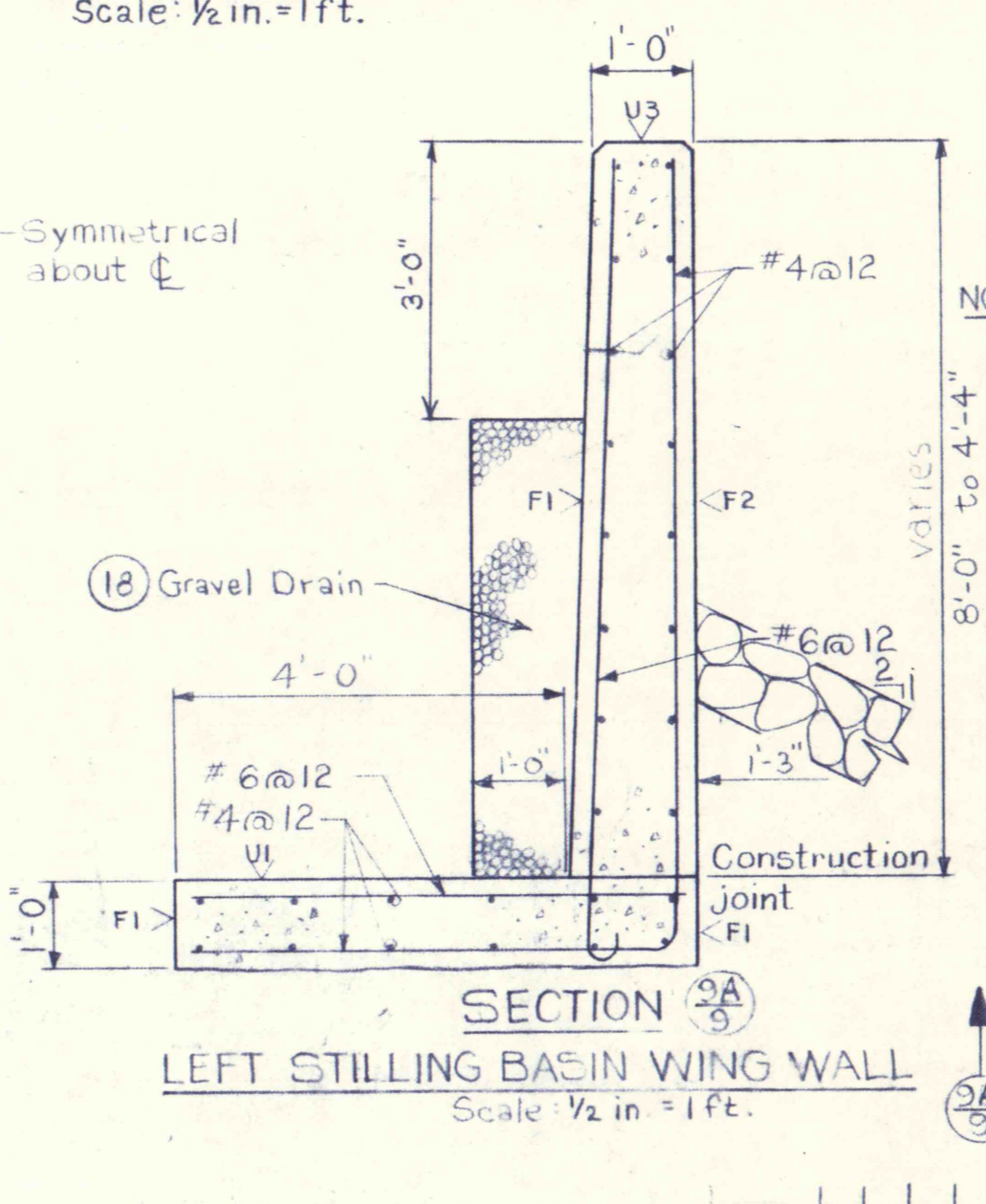
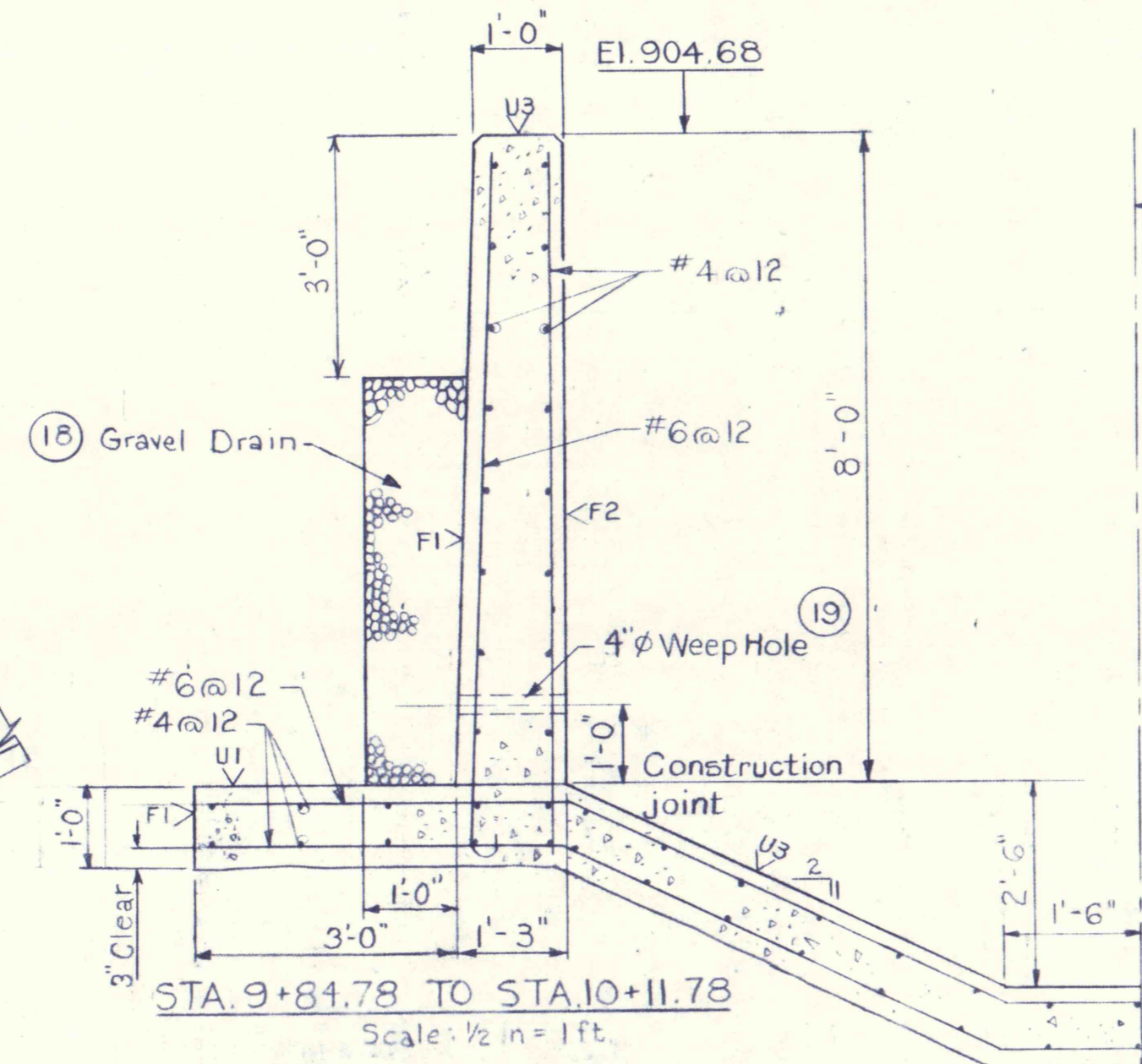
TRAPEZOIDAL CHANNEL SIDE HEIGHT SCHEDULE		
L	Stations	R
2'-5"	1+38 to 2+00	2'-5"
2'-5" to 2'-7"	2+00 to 2+95.63	2'-5"
2'-7"	2+95.63 to 4+45.63	2'-5"
2'-7" to 3'-0"	4+45.63 to 5+78.43	2'-5" to 2'-6"
3'-0"	5+78.43 to 7+28.43	2'-6"
3'-0" to 2'-6"	7+28.43 to 8+09.50	2'-6" to 3'-0"
2'-6"	8+09.50 to 9+29.50	3'-0"
2'-6"	9+29.50 to 9+52.78	3'-0" to 2'-6"



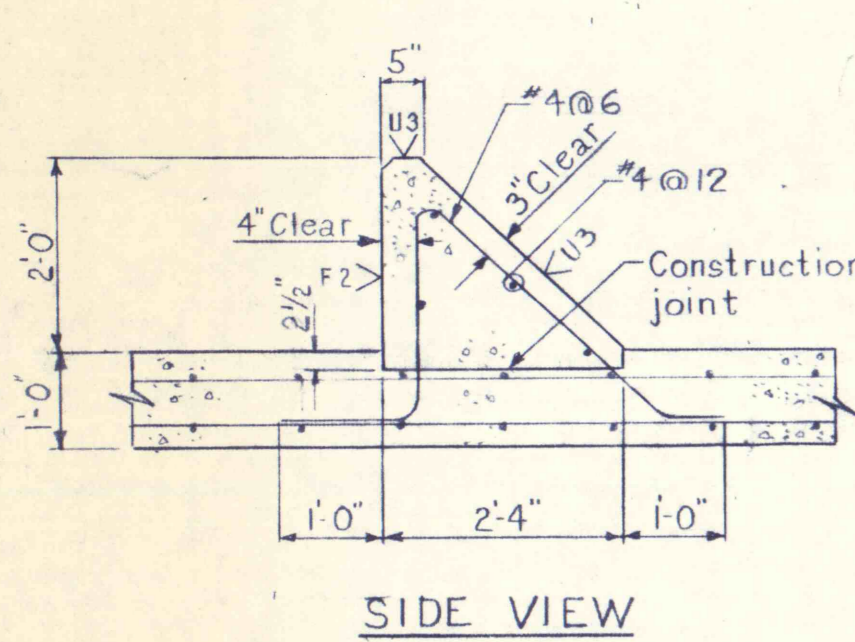
STA. 1+38 TO STA. 9+52.78  
Scale: 1/2 in. = 1 ft.



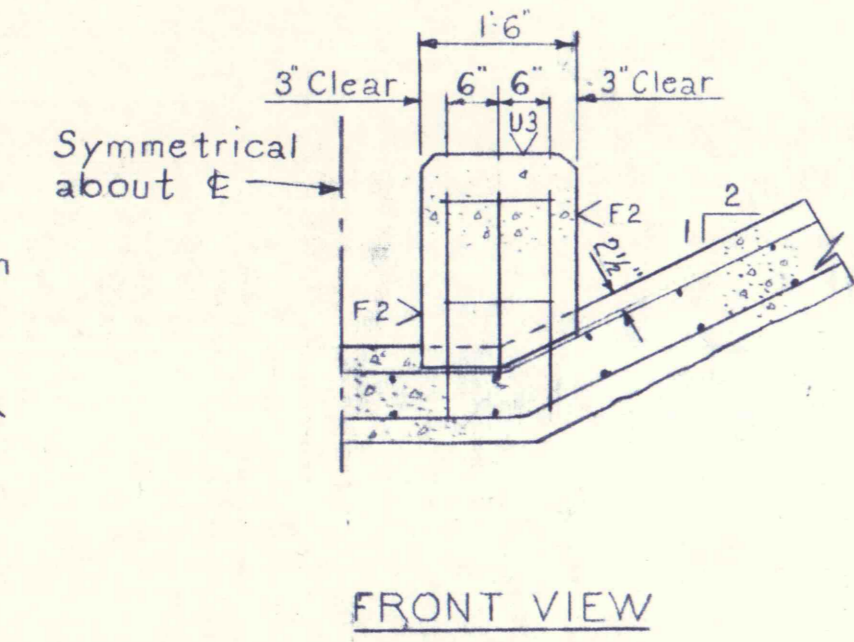
STA. 10+11.78 TO STA. 10+22.39  
Scale: 1/2 in. = 1 ft.



STA. 9+52.78 TO STA. 9+84.78  
Scale: 1/2 in. = 1 ft.

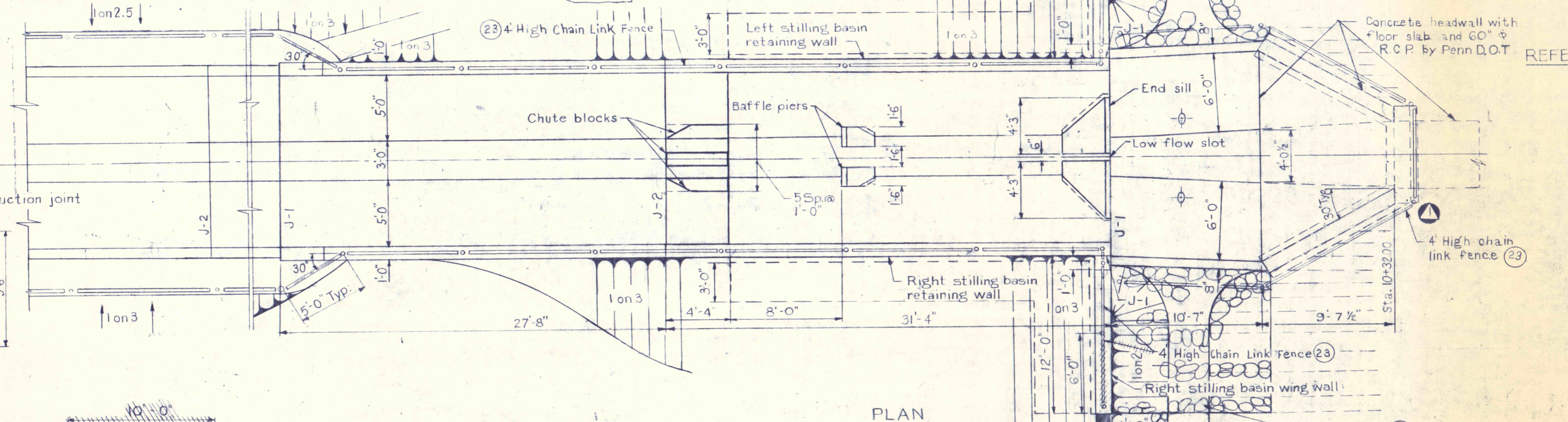


SIDE VIEW

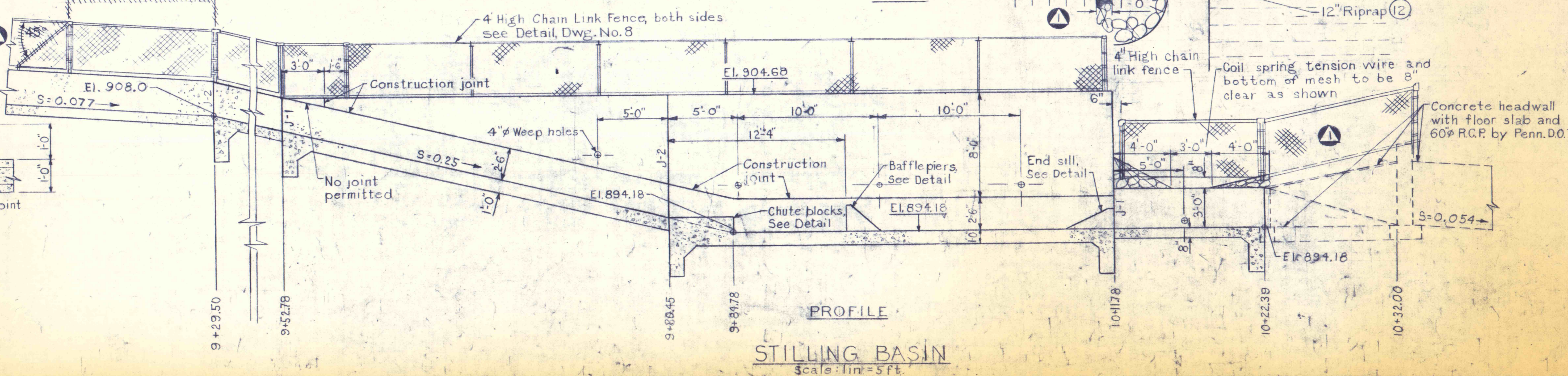


FRONT VIEW

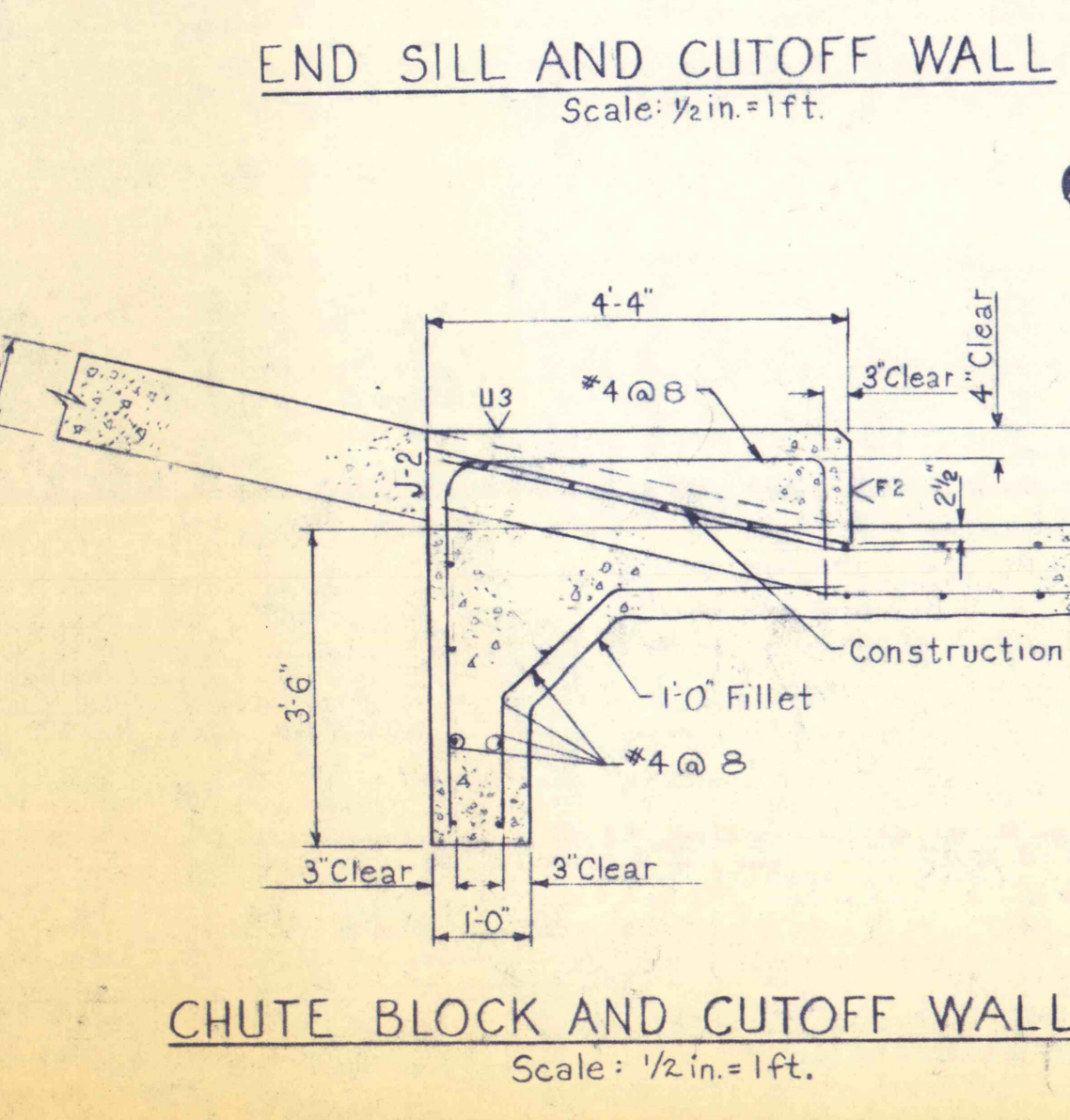
BAFFLE PIERS  
Scale: 1/2 in. = 1 ft.



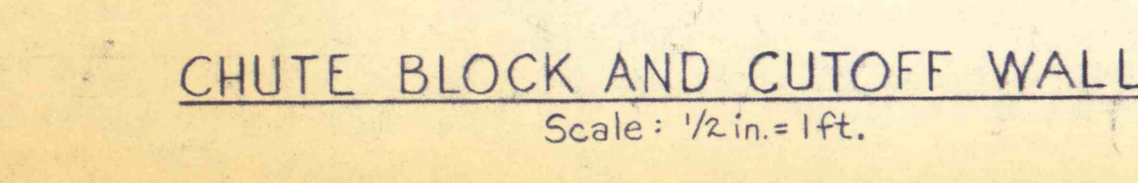
PLAN



PROFILE  
STILLING BASIN  
Scale: 1 in. = 5 ft.



END SILL AND CUTOFF WALL  
Scale: 1/2 in. = 1 ft.



CHUTE BLOCK AND CUTOFF WALL  
Scale: 1/2 in. = 1 ft.

- NOTES:
1. For General Notes, see Dwg. No. 3.
  2. For Concrete Notes, see Dwg. No. 8.
- REFERENCES:
1. Plan and Profile Dwg. No. 3, 4 and 5
  2. Cross Sections Dwg. No. 6 and 7

NO.	DATE	REVISION	APPR.
1	18 Apr 75	Deleted portion of chain link fence from wingwalls. Add chain link fence	WFC
SUBMITTED		BPK Rao	
PROJECT CO-ORDINATOR		BONDILI P. RAO	
APPROVED		Albert A. Ranieri	
CHIEF - DIVISION OF MINE RECLAMATION		ALBERT A. RANIERI	
APPROVED		DuPree	
DIRECTOR - BUREAU OF DESIGN		BONDILI P. RAO	
<b>COMMONWEALTH OF PENNSYLVANIA</b> DEPARTMENT OF ENVIRONMENTAL RESOURCES OFFICE OF RESOURCES MANAGEMENT <b>CONTRACT NO. SL 113-3-1</b> <b>MINE DRAINAGE POLLUTION ABATEMENT</b> <b>MOUNT CARMEL</b> <b>SHAMOKIN CREEK WATERSHED</b> NORTHUMBERLAND CO., PA. <b>DETAILS</b>			
DRAWN BY	DATE	DRAWING NO.	
WFC	20 Aug 75	9 of 10	
CHECKED BY	SCALE		
Eck	As shown		