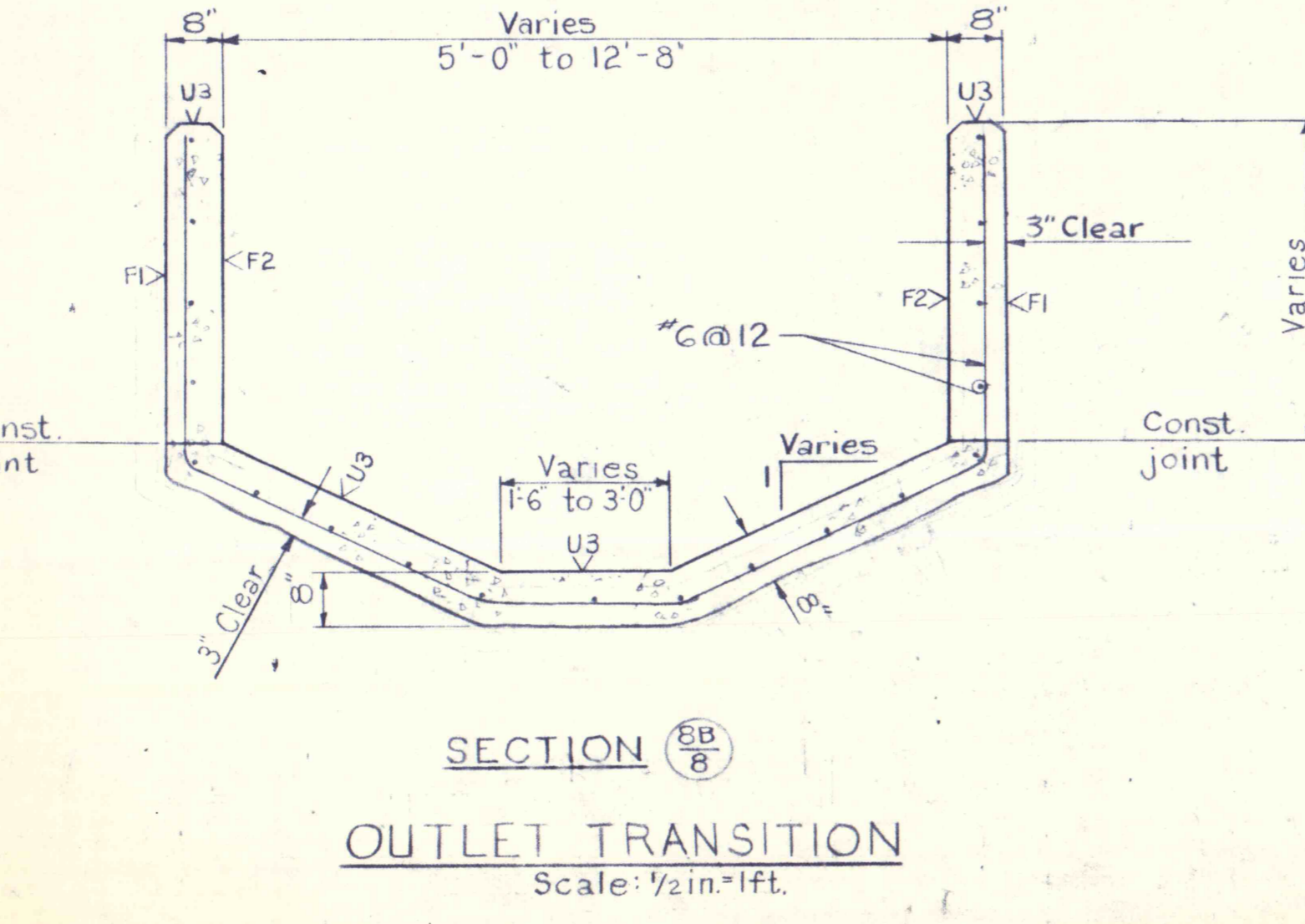
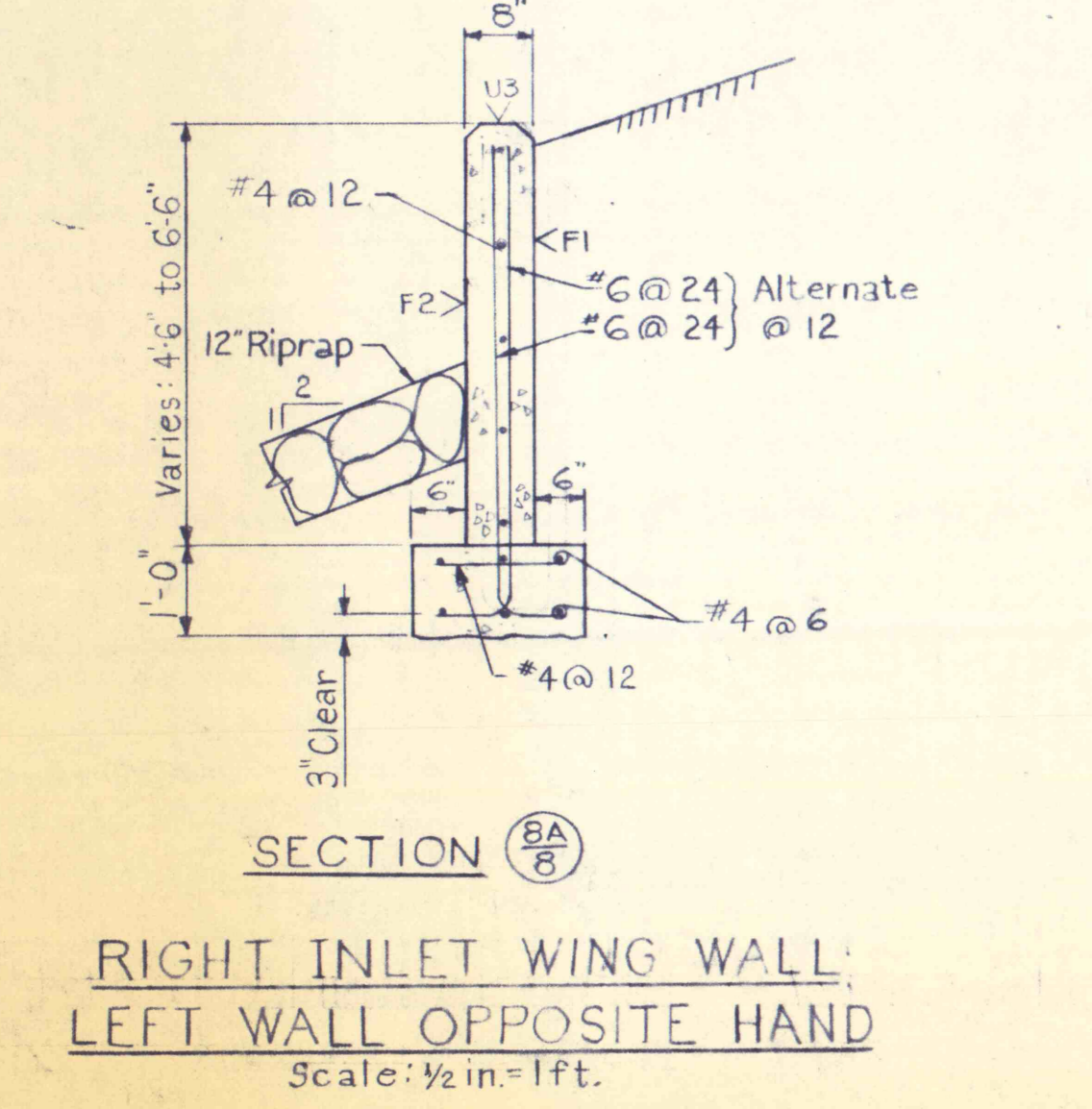


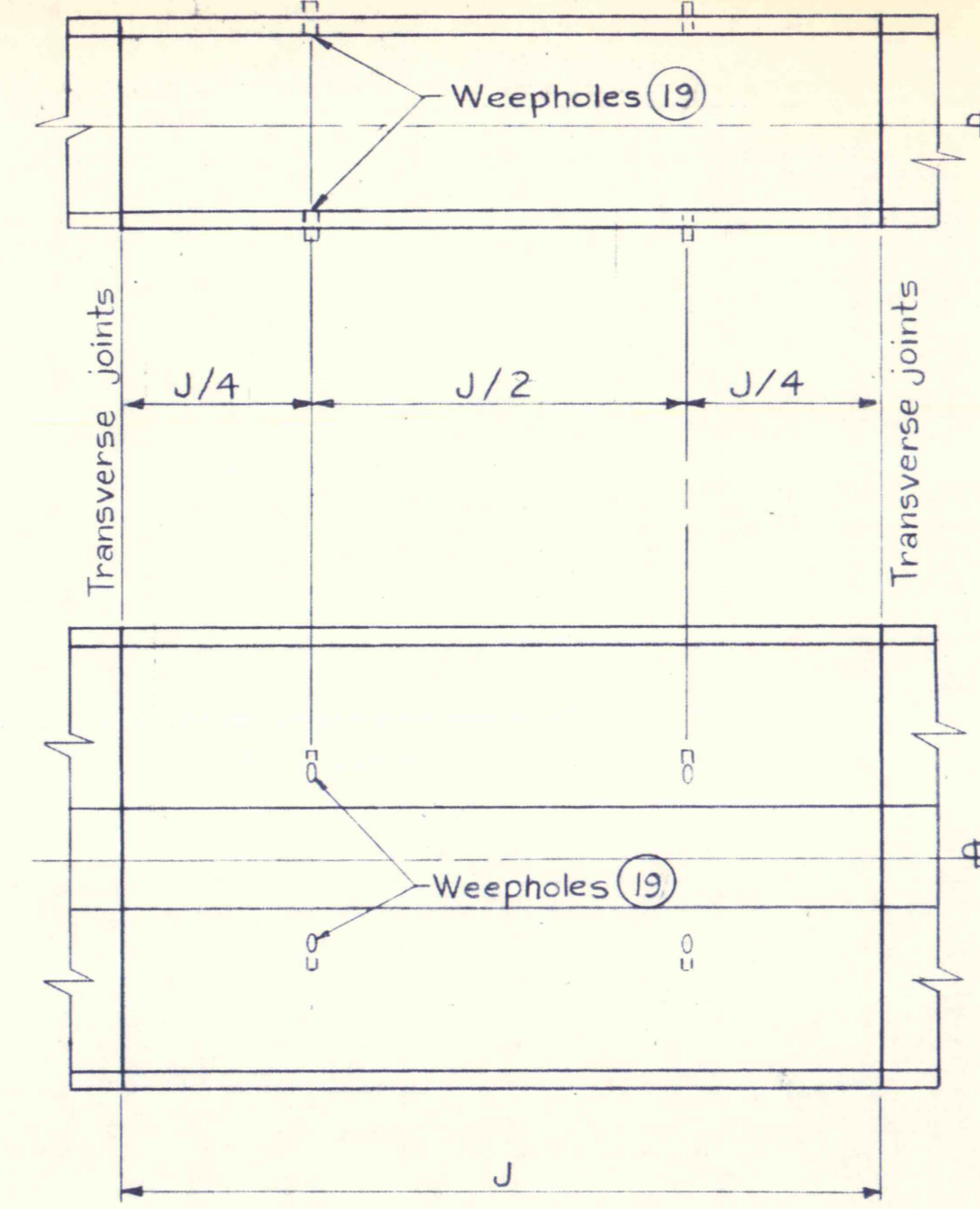
CONCRETE OUTLET AND TRANSITION STRUCTURE
Scale: 1 in. = 5 ft.



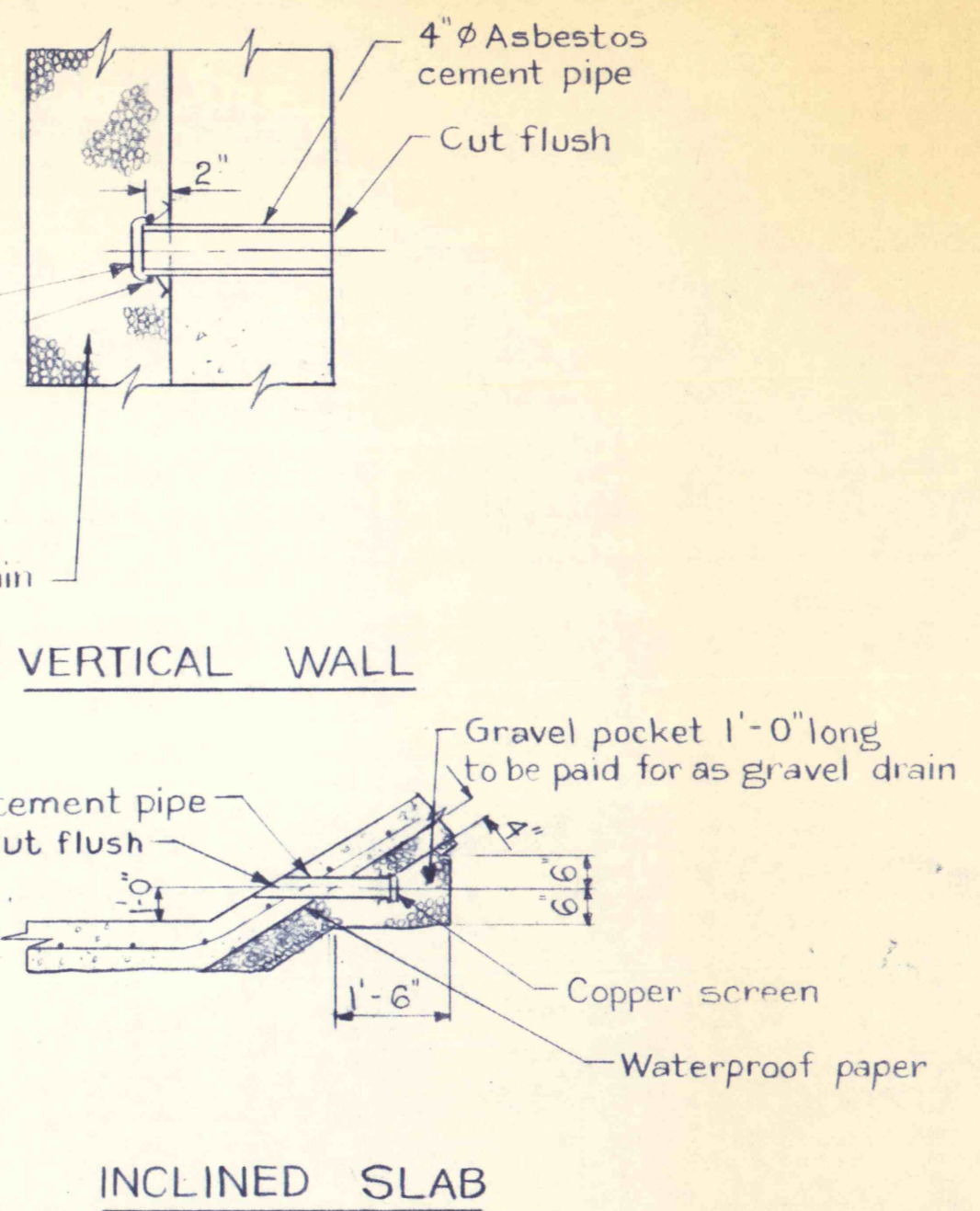
CONCRETE INLET STRUCTURE
Scale: 1 in. = 5 ft.



RIGHT INLET WING WALL:
LEFT WALL OPPOSITE HAND
Scale: 1/2 in. = 1 ft.

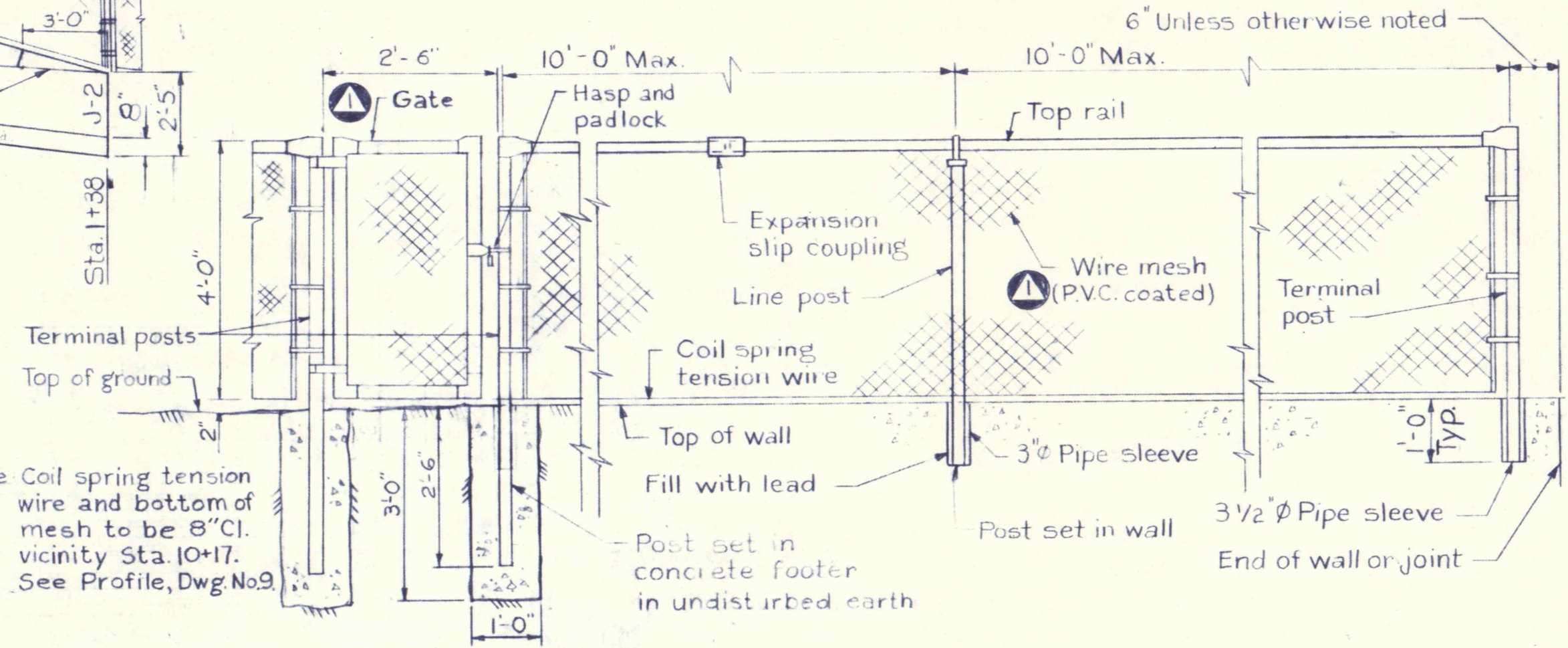


WEEP HOLE DETAILS
No Scale



VERTICAL WALL

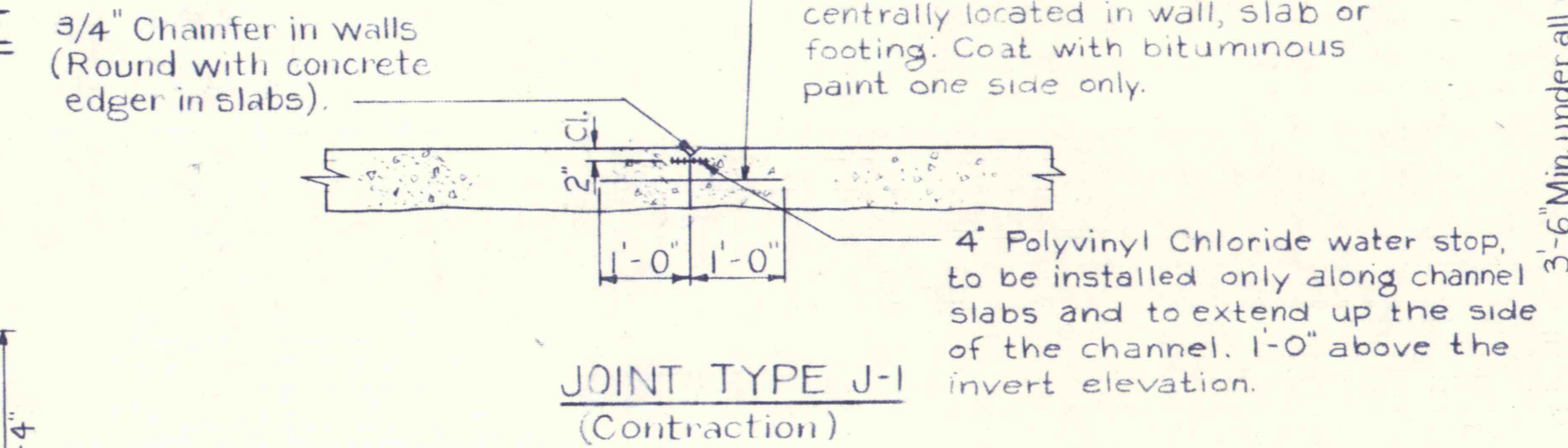
INCLINED SLAB



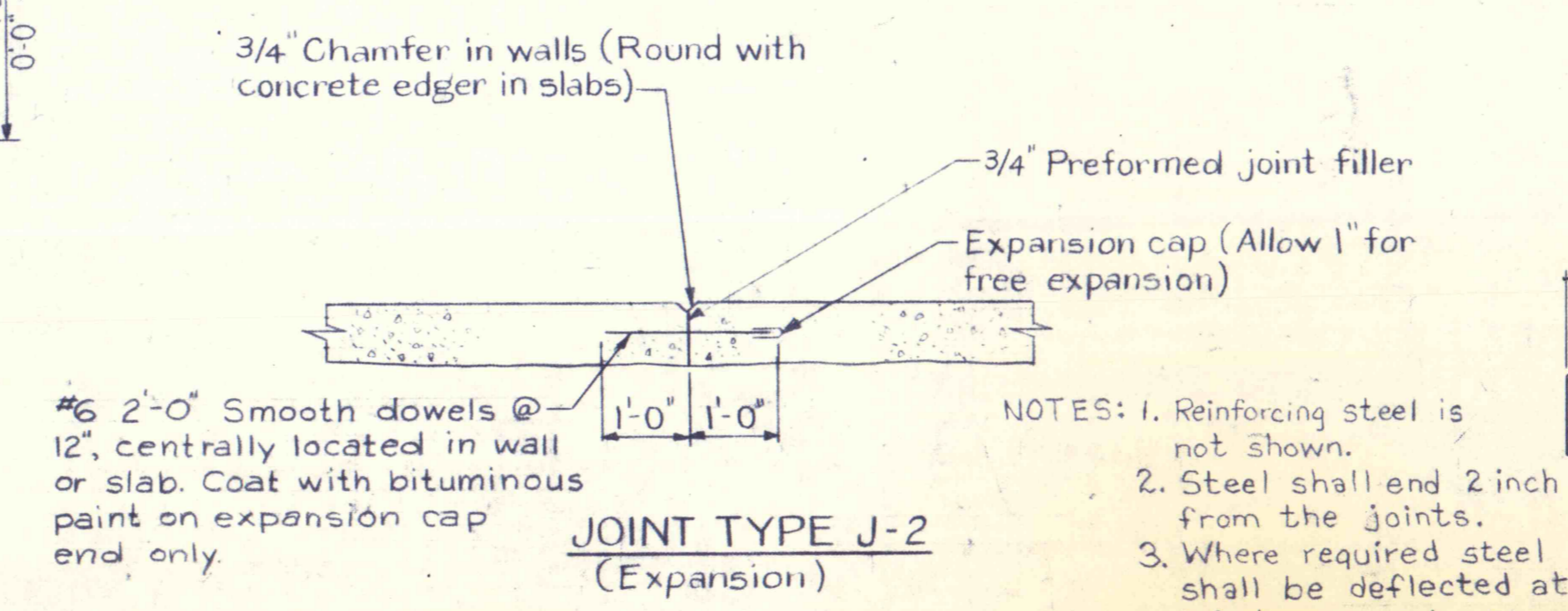
FENCE IN GROUND

FENCE ON WALL

CHAIN LINK FENCE DETAIL
Scale: 1/2 in. = 1 ft.

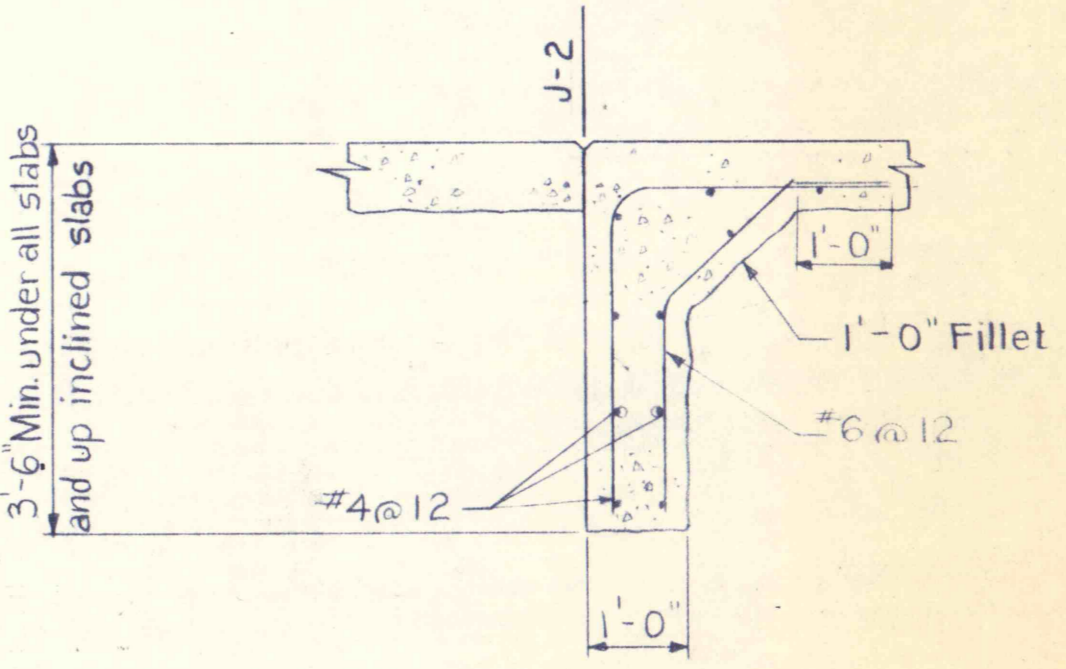


JOINT TYPE J-1
(Contraction)

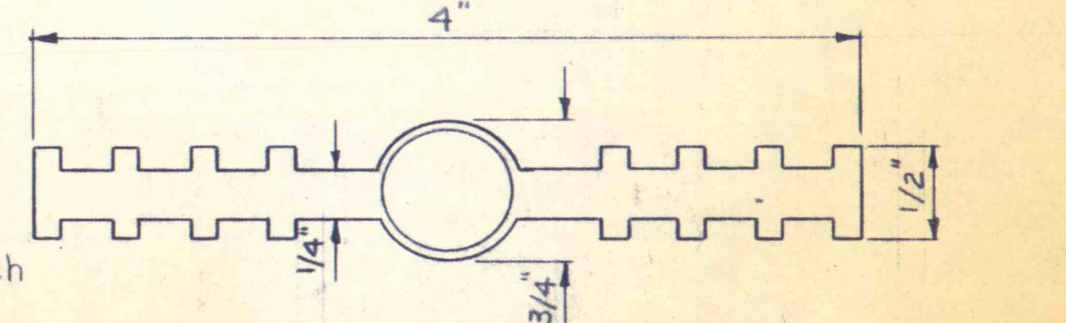


JOINT TYPE J-2
(Expansion)

JOINT DETAILS
No Scale



TYPICAL CUTOFF WALL
No scale



P.V.C. WATERSTOP DETAIL
Full scale

CONCRETE NOTES:

1. Chamfer all exposed edges, horizontal and vertical joints in walls 3/4".
2. All steel reinforcement is 2" clear (edge of steel to surface of concrete) unless otherwise noted.
3. Reinforcement steel shall be paid for under item (10).
4. <No. Denotes concrete finish. See Standard Specifications.
5. J-1 (Contraction joint); J-2 (Expansion joint).
6. All reinforcing bars and welded wire fabric shall be lapped 30 diameters.

NOTES:

1. For General Notes, see Dwg. No. 3

REFERENCES:

1. Plan and Profile _____ Dwg. No's. 3, 4 and 5
2. Cross Sections _____ Dwg. No's. 6 and 7

TRANSVERSE JOINT LOCATIONS			
STATION	JOINT TYPE	STATION	JOINT TYPE
1+38	2	6+68	2
1+66	1	6+97	1
1+94	2	7+26	1
2+22	1	7+55	2
2+50	1	7+84	1
2+78	2	8+13	1
3+06	1	8+42	2
3+34	1	8+71	1
3+62	2	9+00	1
3+90	1	9+29.50	2
4+18	1	9+52.78	1
4+45.63	2	9+80.45	2
4+71	1	10+11.78	1
4+98	1	10+22.39	2
5+25	2	11+95	2
5+52	1	12+25	1
5+79	2	12+55	1
6+09	1	12+85	2
6+39	1	13+15	1
		13+45	2

Note: See Joint Details this Dwg.

NO. DATE	REVISION	APPR.
19 Apr 76	Add chain link fence, gate detail and P.V.C. coated wire mesh.	AKC
SUBMITTED		
PROJECT CO-ORDINATOR		
APPROVED		
CHIEF - DIVISION OF MINE RECLAMATION		
APPROVED		
DIRECTOR - BUREAU OF DESIGN		
COMMONWEALTH OF PENNSYLVANIA DEPARTMENT OF ENVIRONMENTAL RESOURCES OFFICE OF RESOURCES MANAGEMENT		
CONTRACT NO. SL 113-3-1		
MINE DRAINAGE POLLUTION ABATEMENT MOUNT CARMEL SHAMOKIN CREEK WATERSHED NORTHUMBERLAND CO., PA.		
DETAILS		
DRAWN BY Mandy	DATE 22-8-75	DRAWING NO. 8 of 10
CHECKED BY Ed	SCALE As Shown	