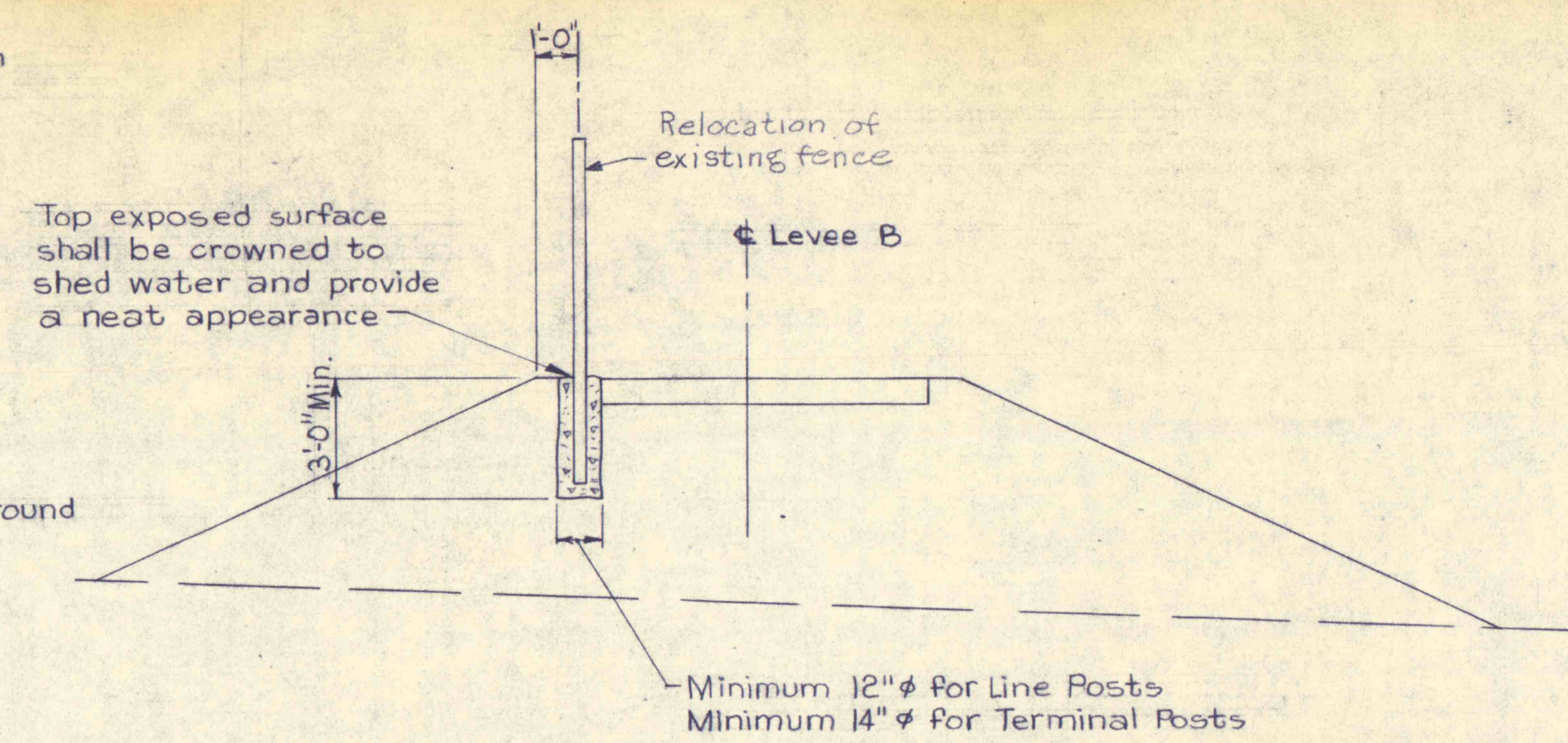
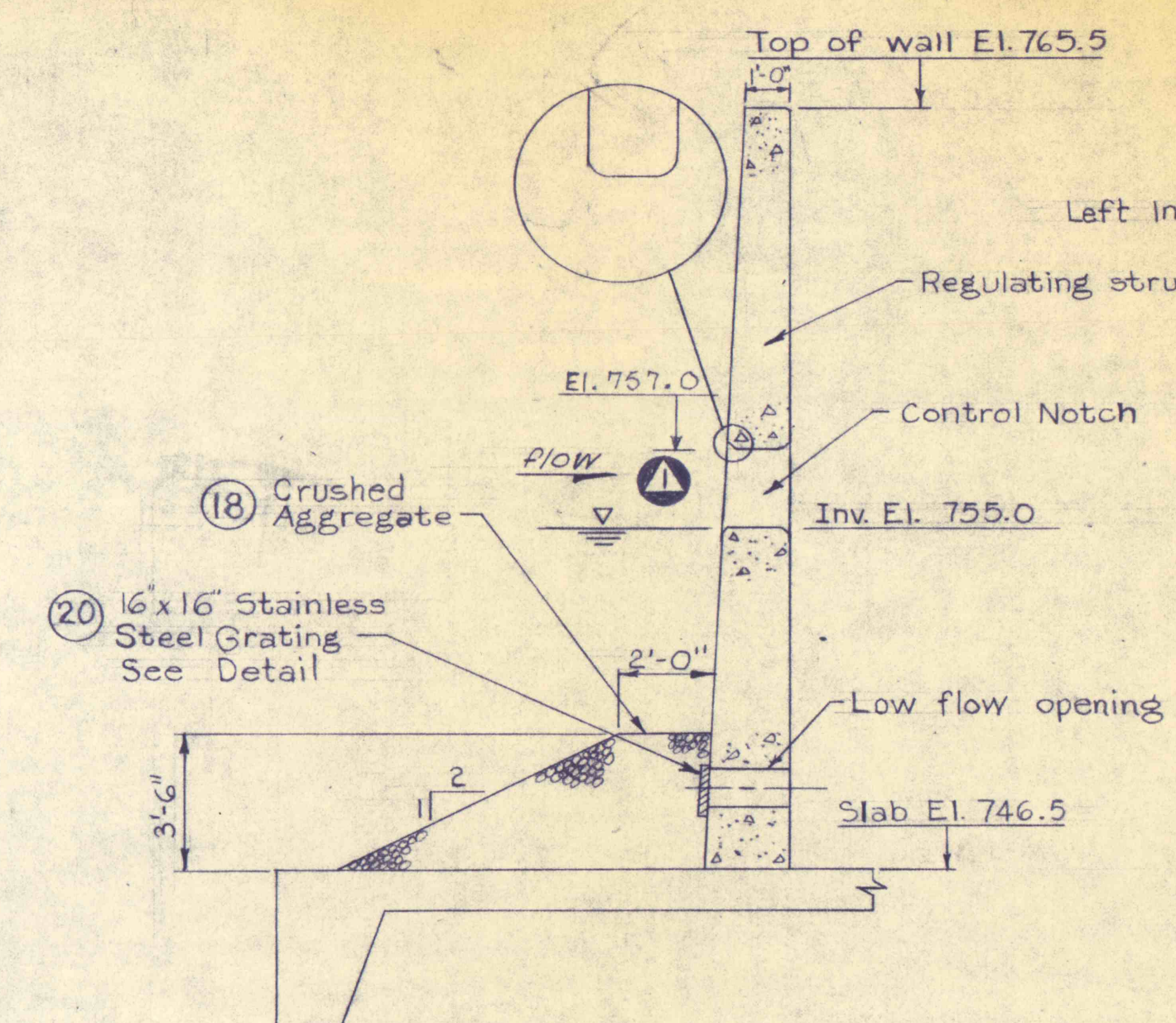


ELEVATION
No Scale

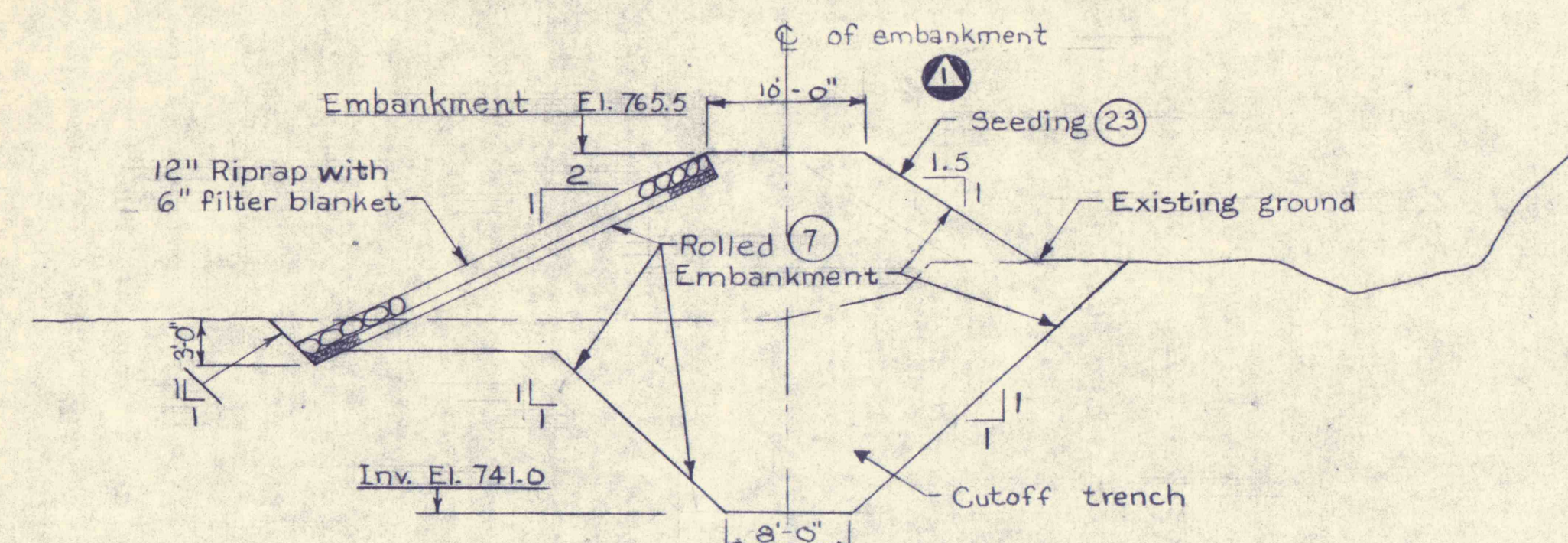
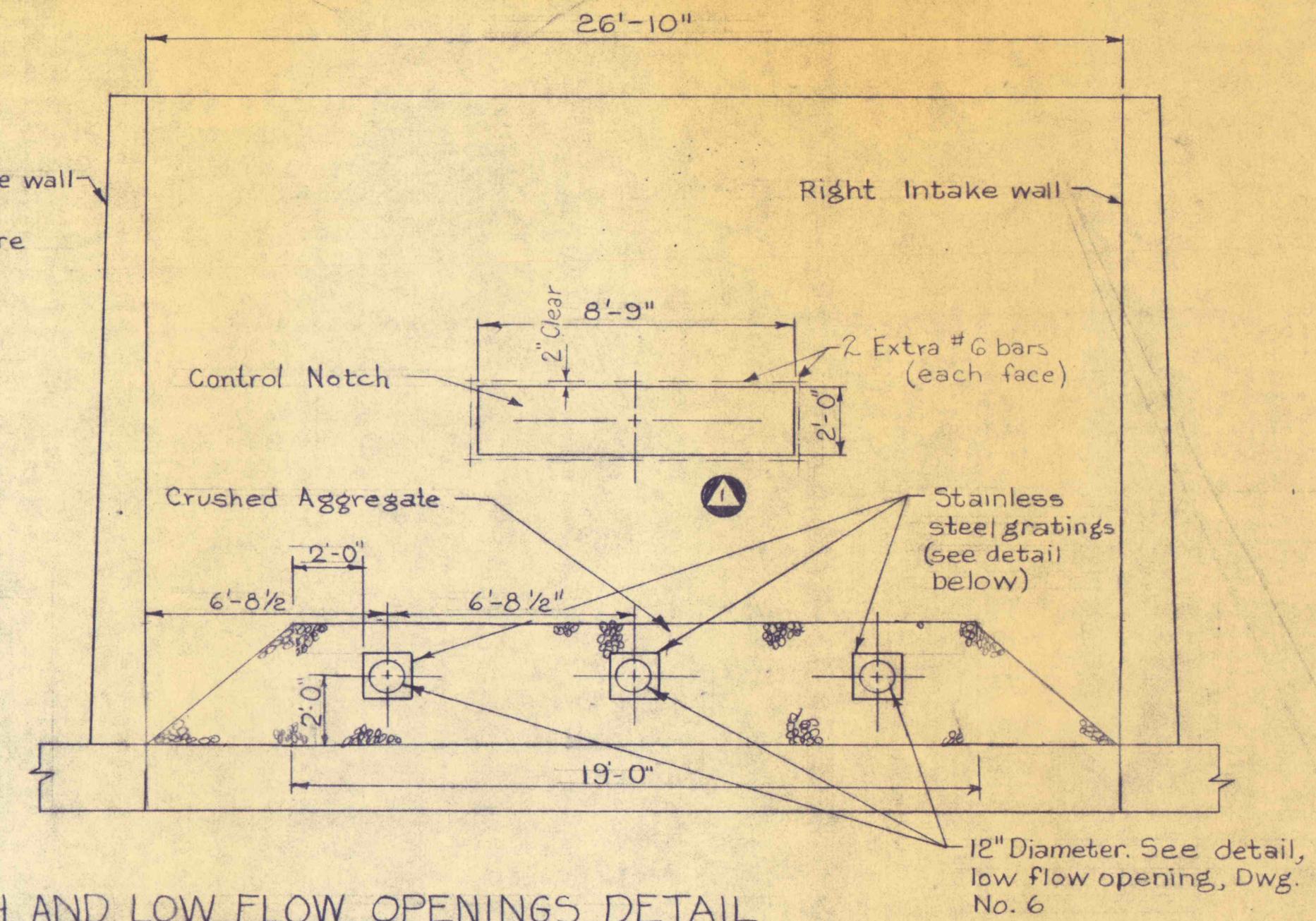
21 CHAIN LINK FENCE (LEVEE B)



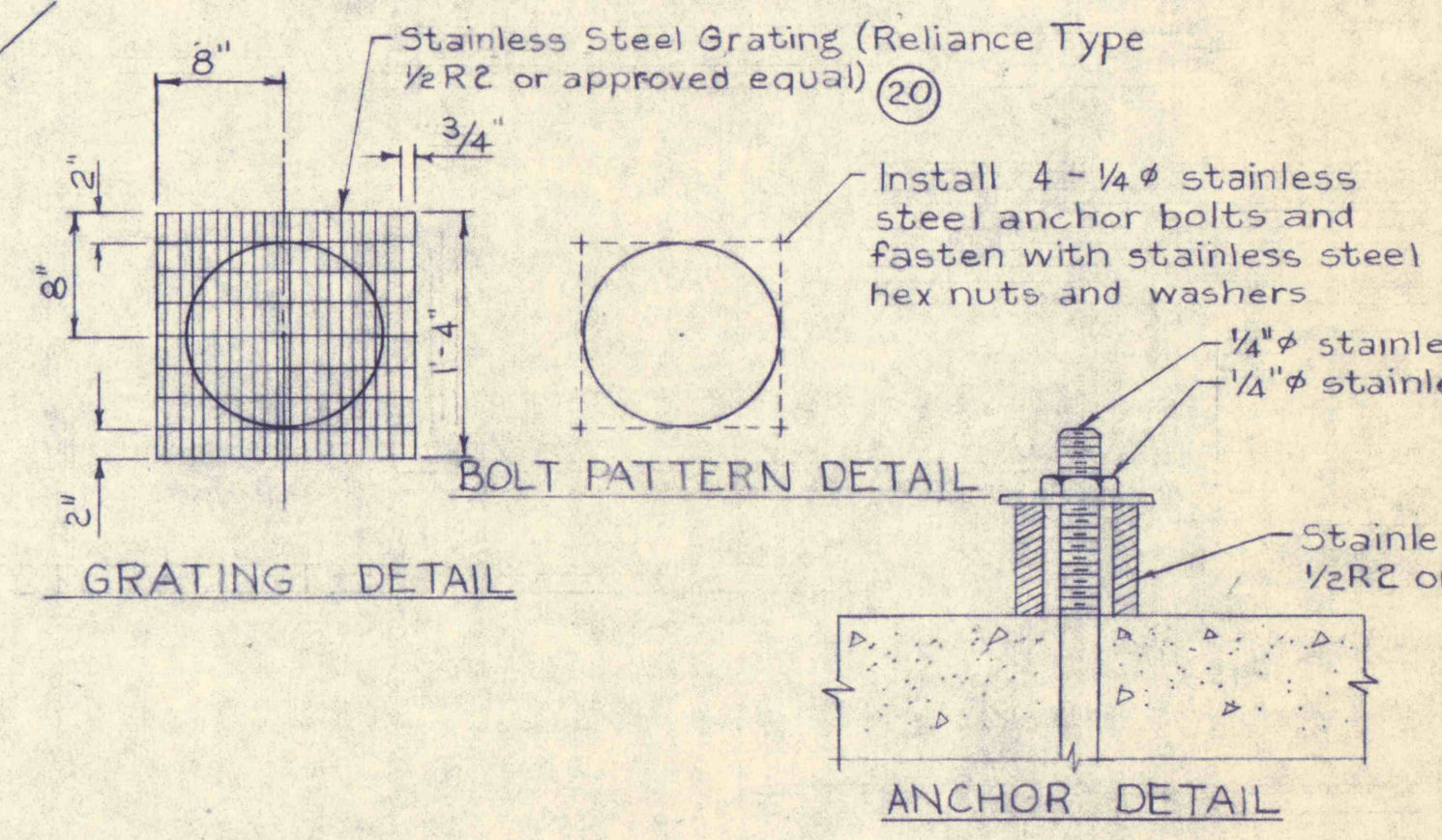
TYPICAL FENCE POST DETAIL
Scale: 1/4 in. = 1 ft.



CONTROL NOTCH AND LOW FLOW OPENINGS DETAIL
Scale: 1/4 in. = 1 ft.

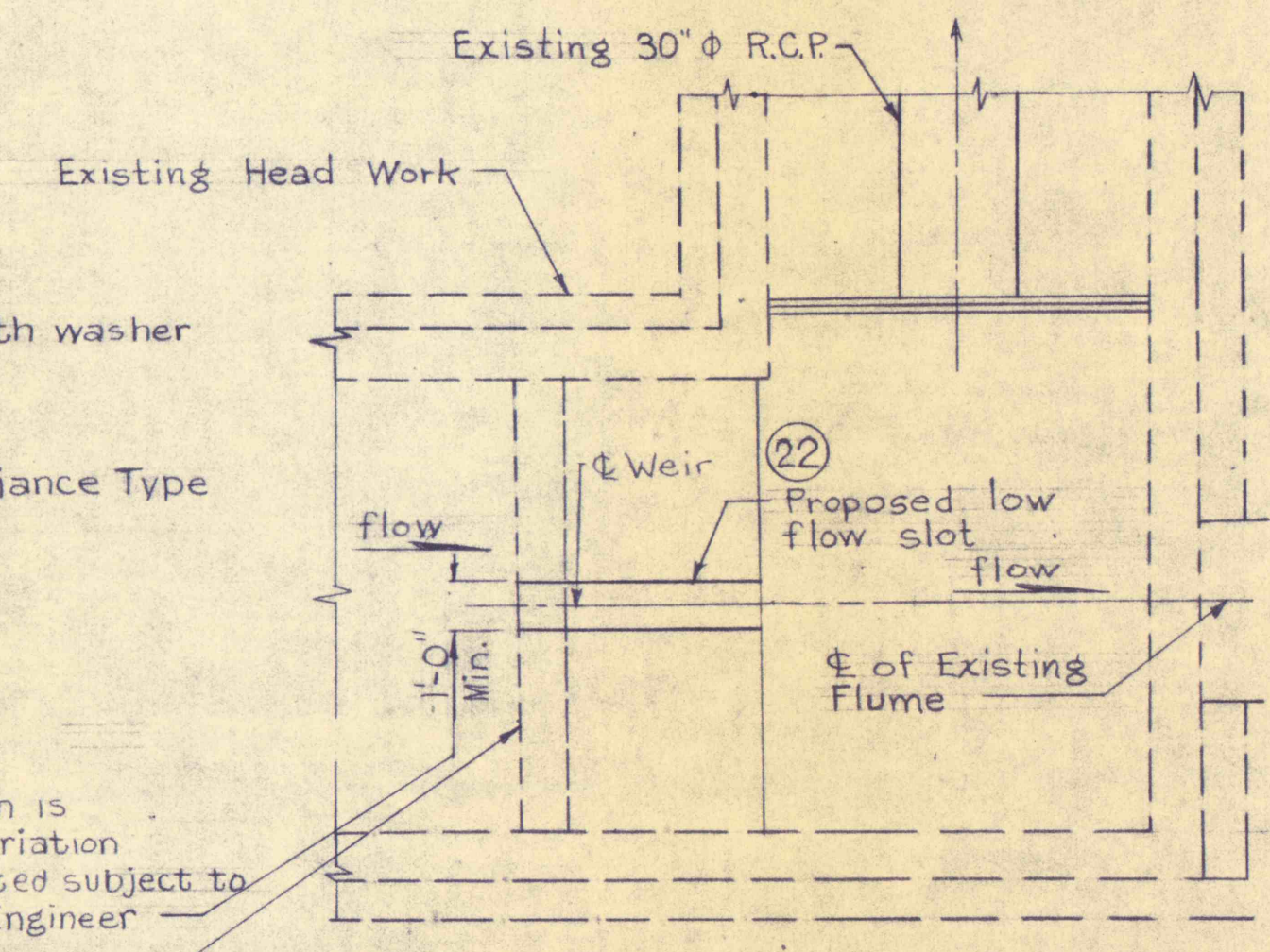


TYPICAL SECTION
EMBANKMENT AT RIGHT WEIRWALL
Scale: 1 in. = 10 ft.

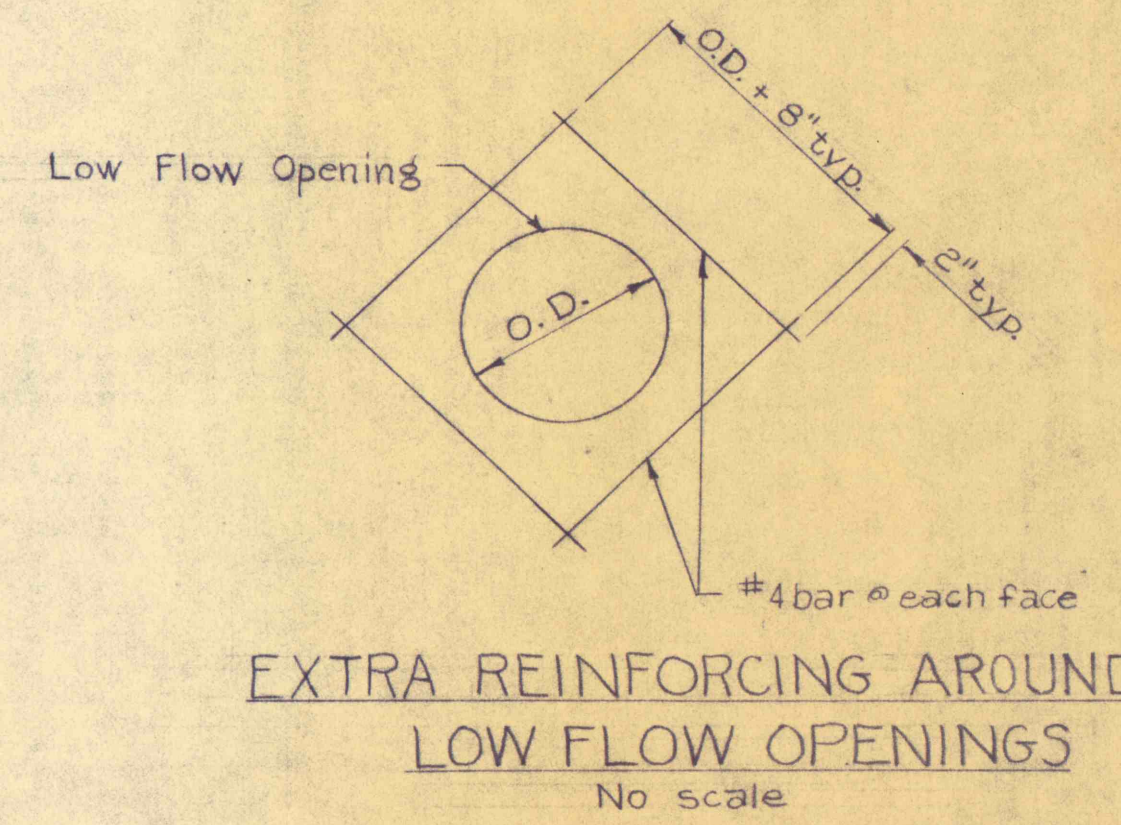


GRATING DETAIL

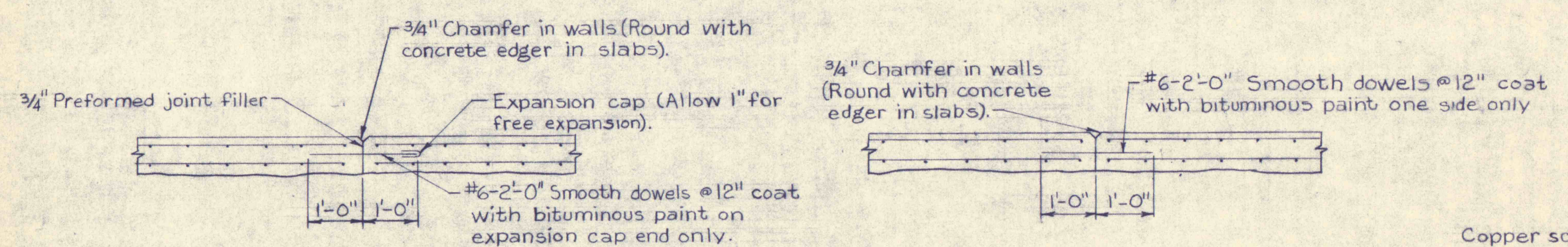
ANCHOR DETAIL



PLAN
Scale: 1/4 in. = 1 ft.



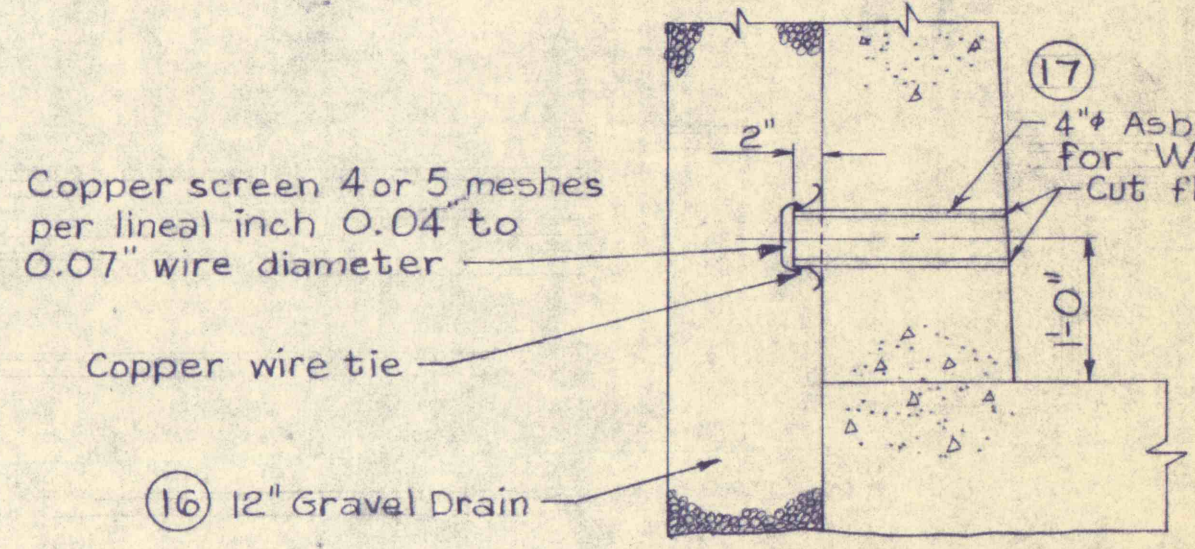
EXTRA REINFORCING AROUND
LOW FLOW OPENINGS
No scale



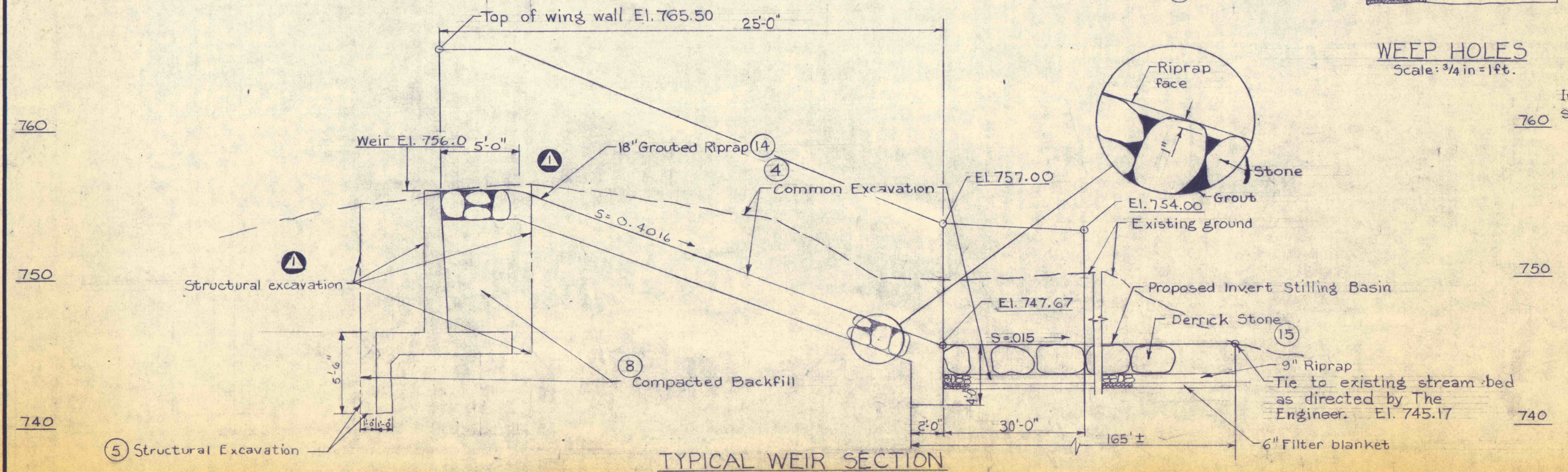
EXPANSION JOINT J-2

CONTRACTION JOINT J-1

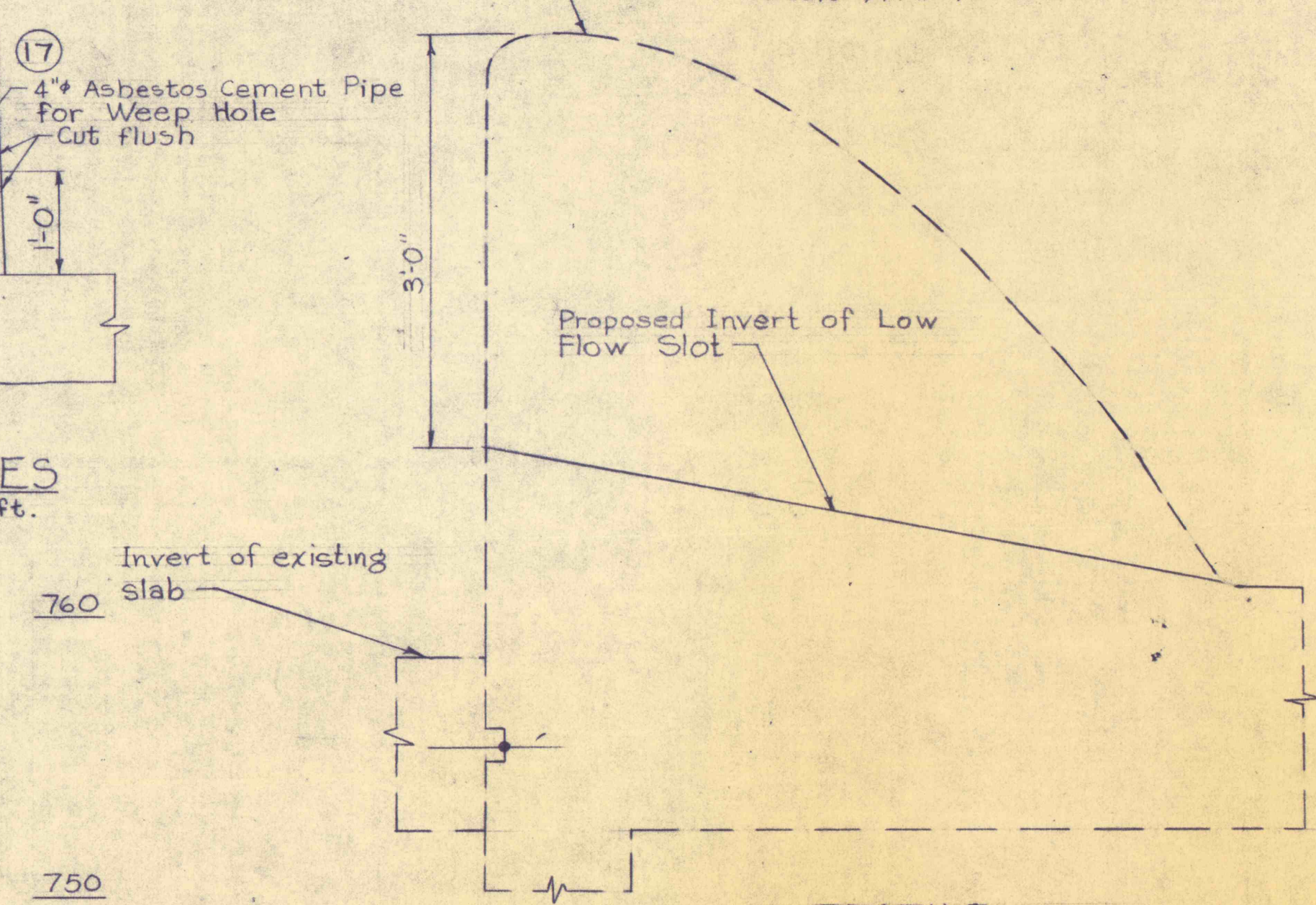
JOINT DETAILS
Scale: 1/2 in. = 1 ft.



WEEP HOLES
Scale: 3/4 in. = 1 ft.



TYPICAL WEIR SECTION
No Scale



PROFILE
22 MODIFICATION OF EXISTING
CONCRETE WEIR
Scale: 1 in. = 1 ft.

REFERENCES:
1. For Plan and general notes see Dwg. No. 3
2. For Concrete notes see Dwg. No. 6.

5-30-75	Miscellaneous details, revised sections for weir and embankment at right weir wall, revised control notch.		
NO.	DATE	REVISION	APPR.
SUBMITTED			
PROJECT CO-ORDINATOR			
APPROVED			
CHIEF - DIVISION OF MINE RECLAMATION			
APPROVED			
DIRECTOR - BUREAU OF DESIGN			
COMMONWEALTH OF PENNSYLVANIA DEPARTMENT OF ENVIRONMENTAL RESOURCES OFFICE OF RESOURCES MANAGEMENT CONTRACT NO. SL 112-8 MINE DRAINAGE POLLUTION ABATEMENT HEADWORK MODIFICATIONS AND FLOOD PROTECTION RAUSCH CREEK TREATMENT PLANT SCHUYLKILL CO. PENNSYLVANIA			
DETAILS			
DRAWN BY	DATE	DRAWING NO.	
J.C.H.	5-20-75	10 of 10	
CHECKED BY	SCALE		
J.R.M.	As Shown		