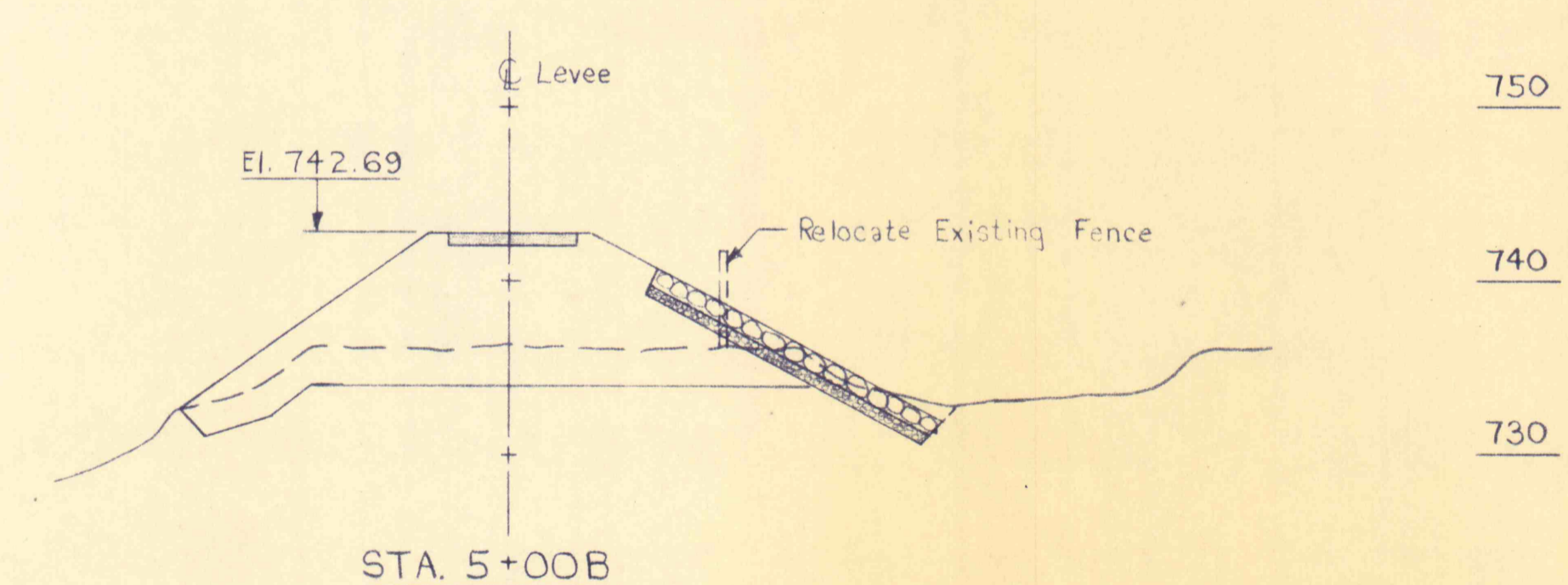
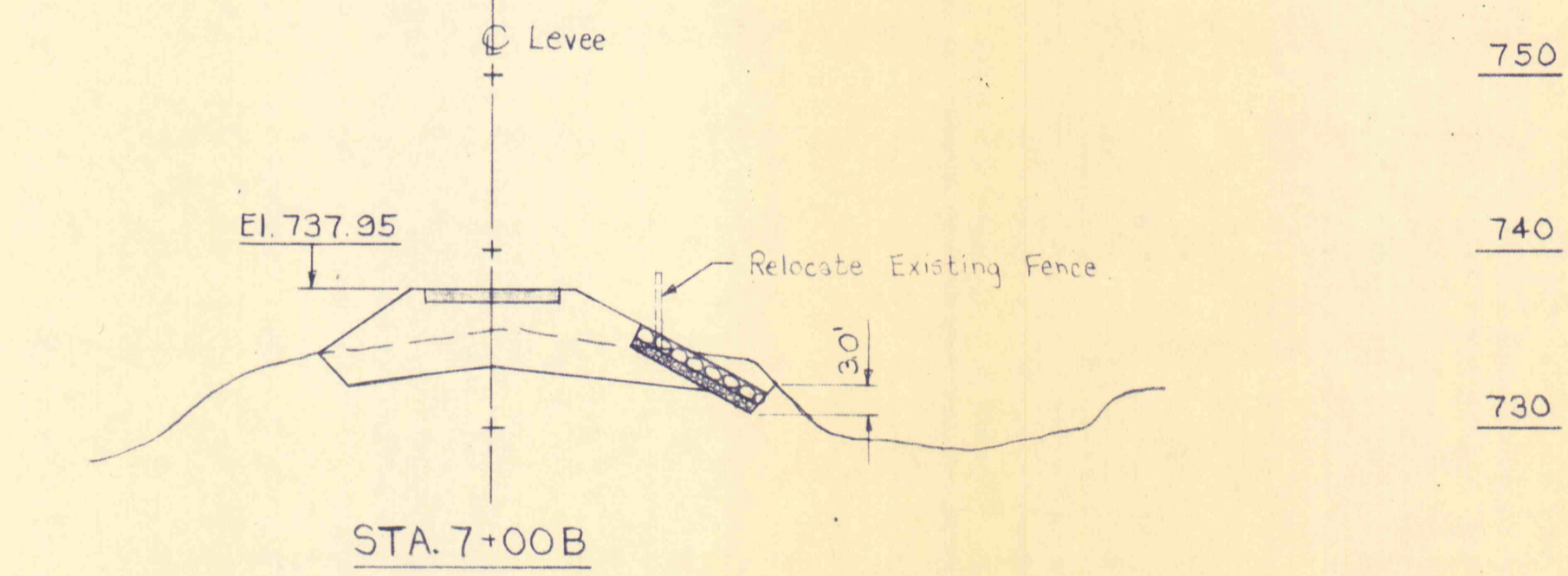
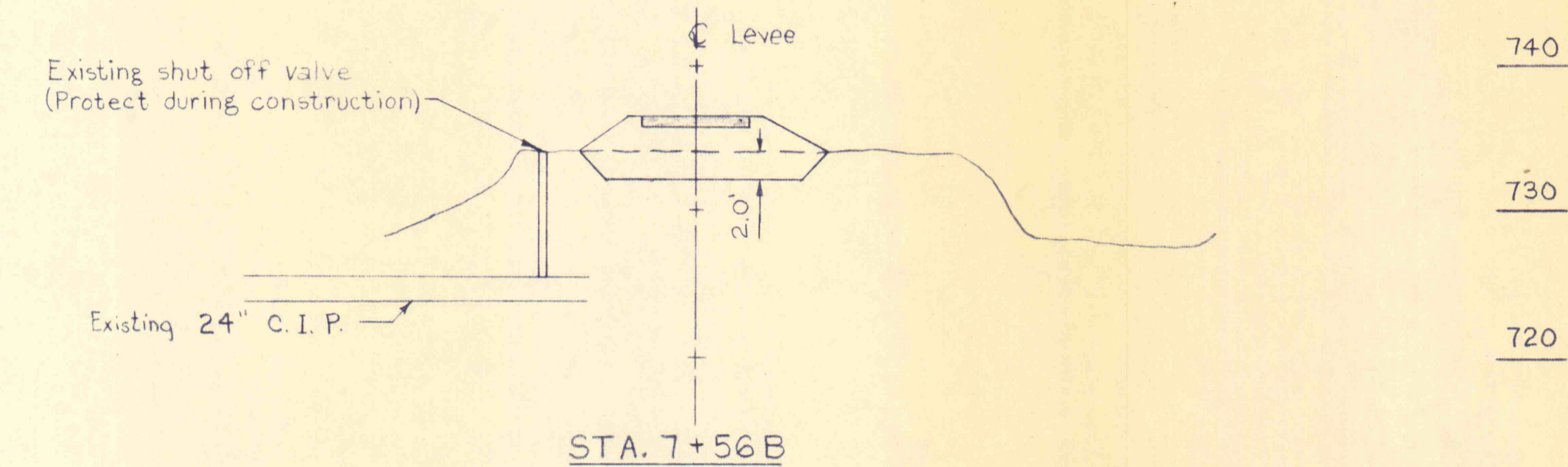
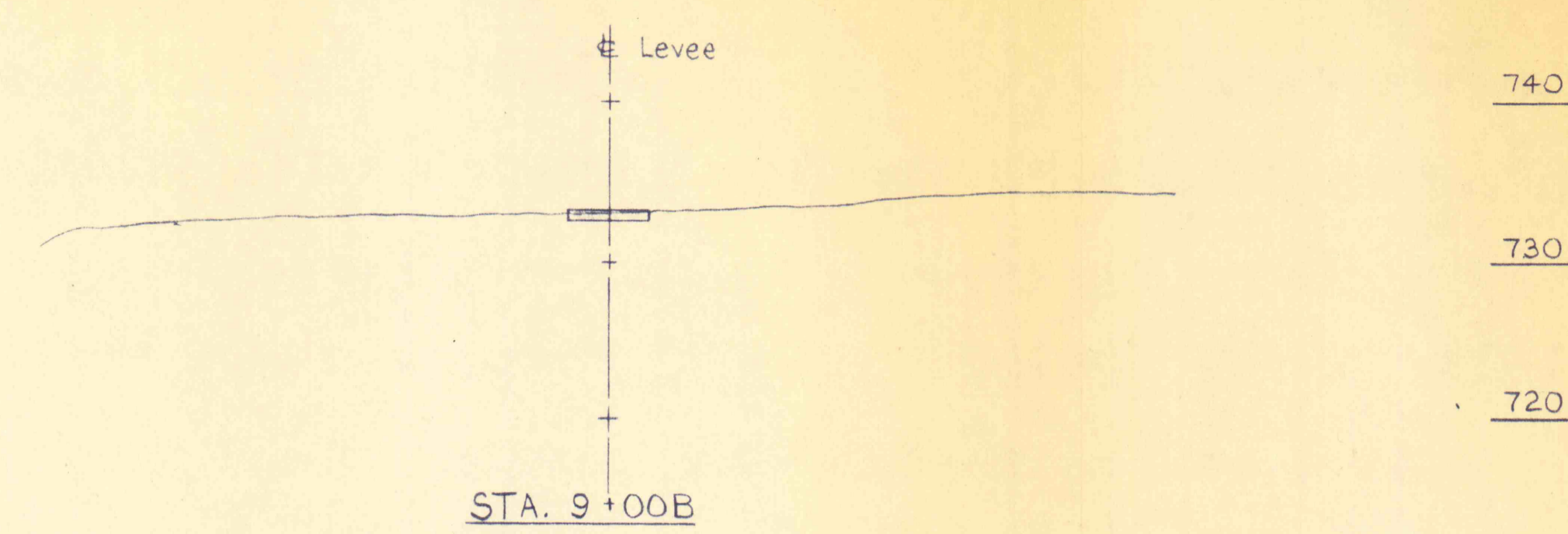
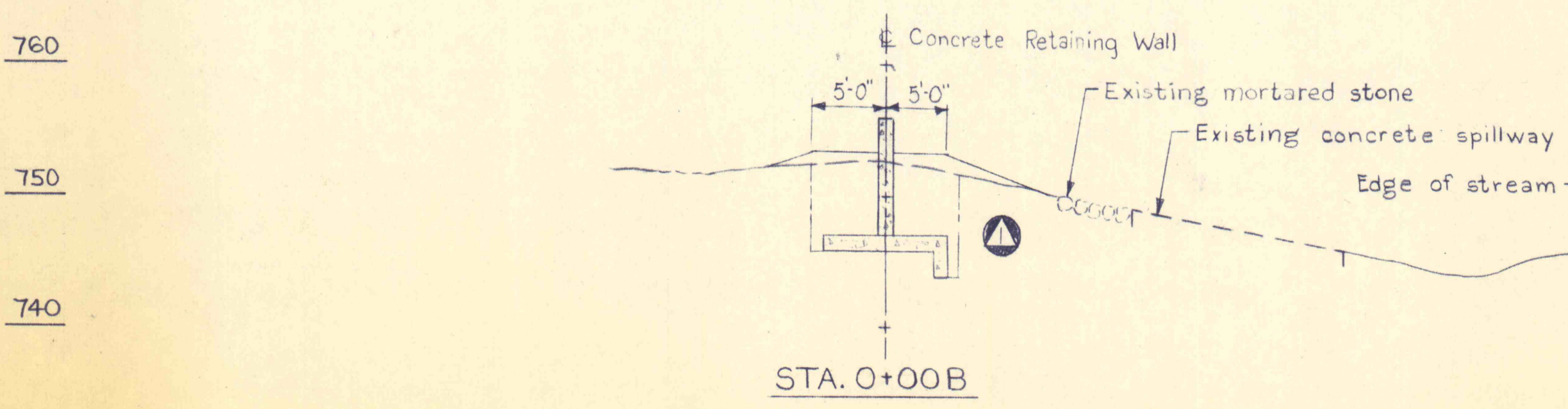
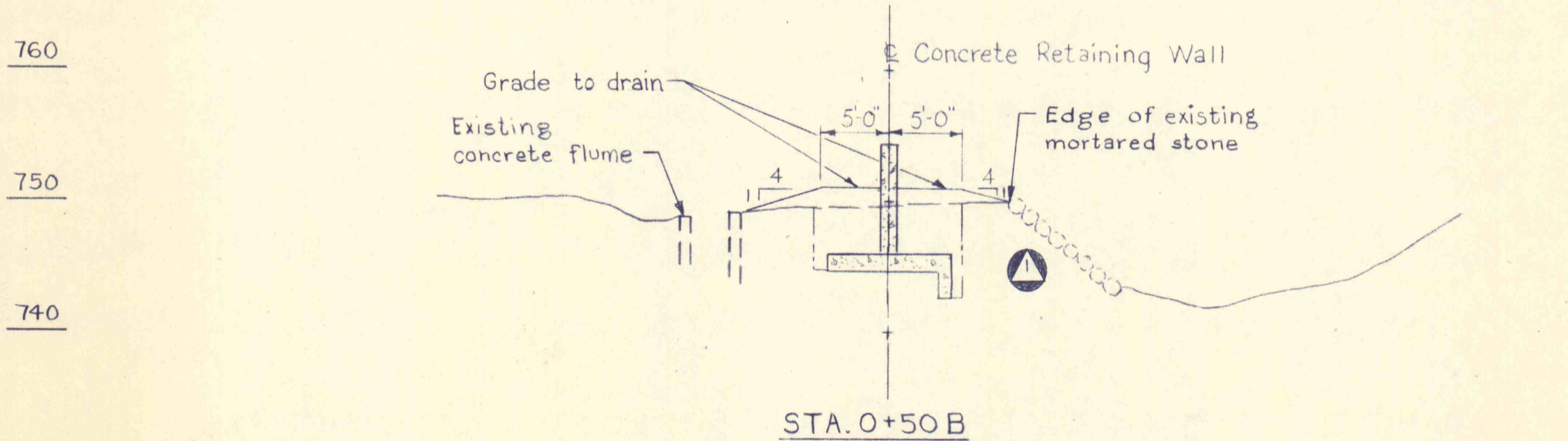
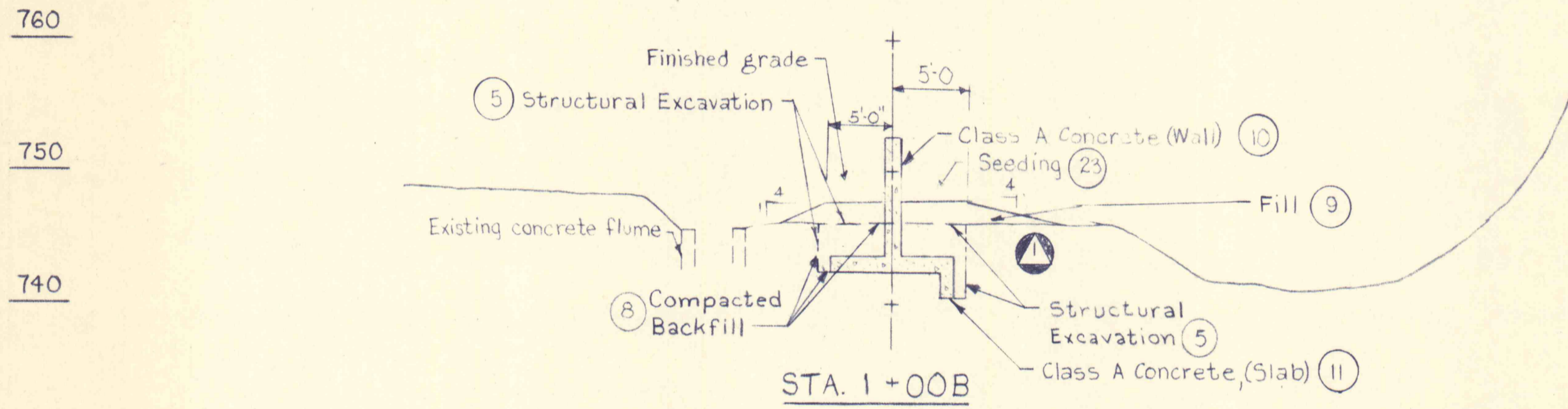




NOTE: End concrete retaining wall at Sta. 1+12.
Start levee at Sta. 1+07



- REFERENCES:
1. For Plan and General Notes, see Dwg. No. 3
 2. For Profile see Dwg. No. 4
 3. For Concrete Notes, see Dwg. No. 6
 4. For Details see Dwg. No. 10

NOTES:
1. All Cross Sections are shown looking downstream

53075	Miscellaneous details, added revised retaining wall height		
NO.	DATE	REVISION	APPR.
SUBMITTED <i>B.R. Rao</i>			
PROJECT CO-ORDINATOR			
APPROVED <i>Robert A. Pameri</i>			
CHIEF - DIVISION OF MINE RECLAMATION			
APPROVED <i>W. L. Jones</i>			
DIRECTOR - BUREAU OF DESIGN			
 ALBERT P. PAMERI PROFESSIONAL ENGINEER No. 12345 PENNSYLVANIA		 B. R. RAO PROFESSIONAL ENGINEER No. 12345 PENNSYLVANIA	
COMMONWEALTH OF PENNSYLVANIA DEPARTMENT OF ENVIRONMENTAL RESOURCES OFFICE OF RESOURCES MANAGEMENT			
CONTRACT NO. SL 112-8			
MINE DRAINAGE POLLUTION ABATEMENT HEADWORK MODIFICATIONS AND FLOOD PROTECTION RAUSCH CREEK TREATMENT PLANT SCHUYLKILL CO. PENNSYLVANIA			
CROSS SECTIONS LEVEE B			
DRAWN BY <i>M. K. A.</i>	DATE 5-15-75	DRAWING NO. 9 OF 10	
CHECKED BY <i>L. R. M.</i>	SCALE 1 in. = 10 ft.		