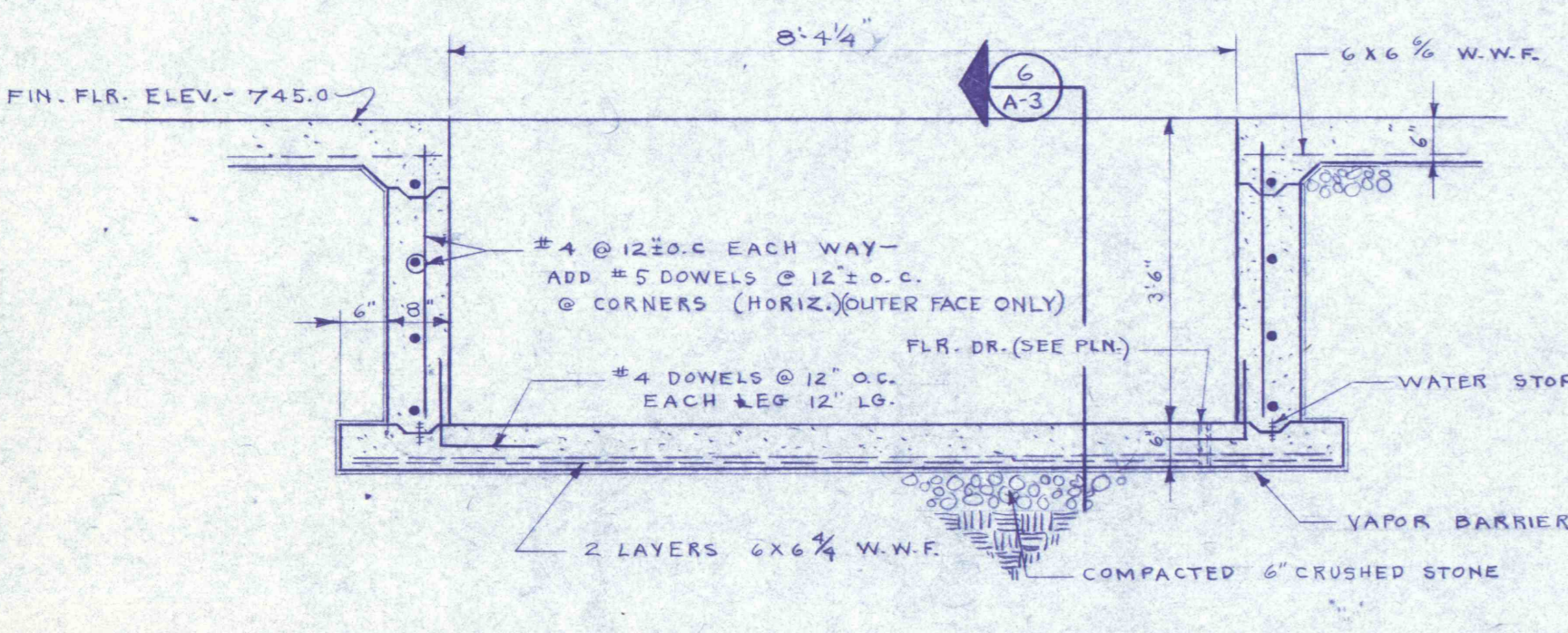


SECTION 1 SCALE: 1/2" = 1'-0" A-3

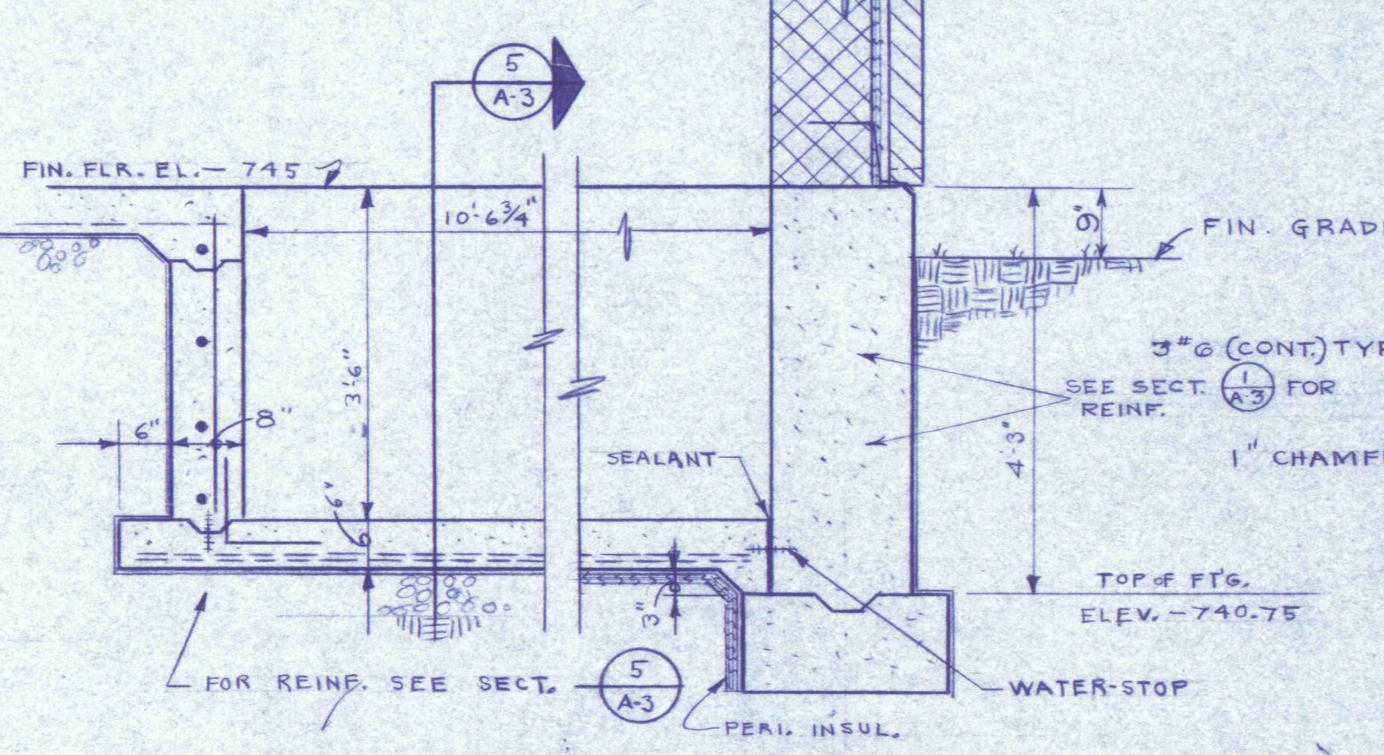
SECTION 2 SCALE: 1/2" = 1'-0" A-3

SECTION 3 SCALE: 1/2" = 1'-0" A-3

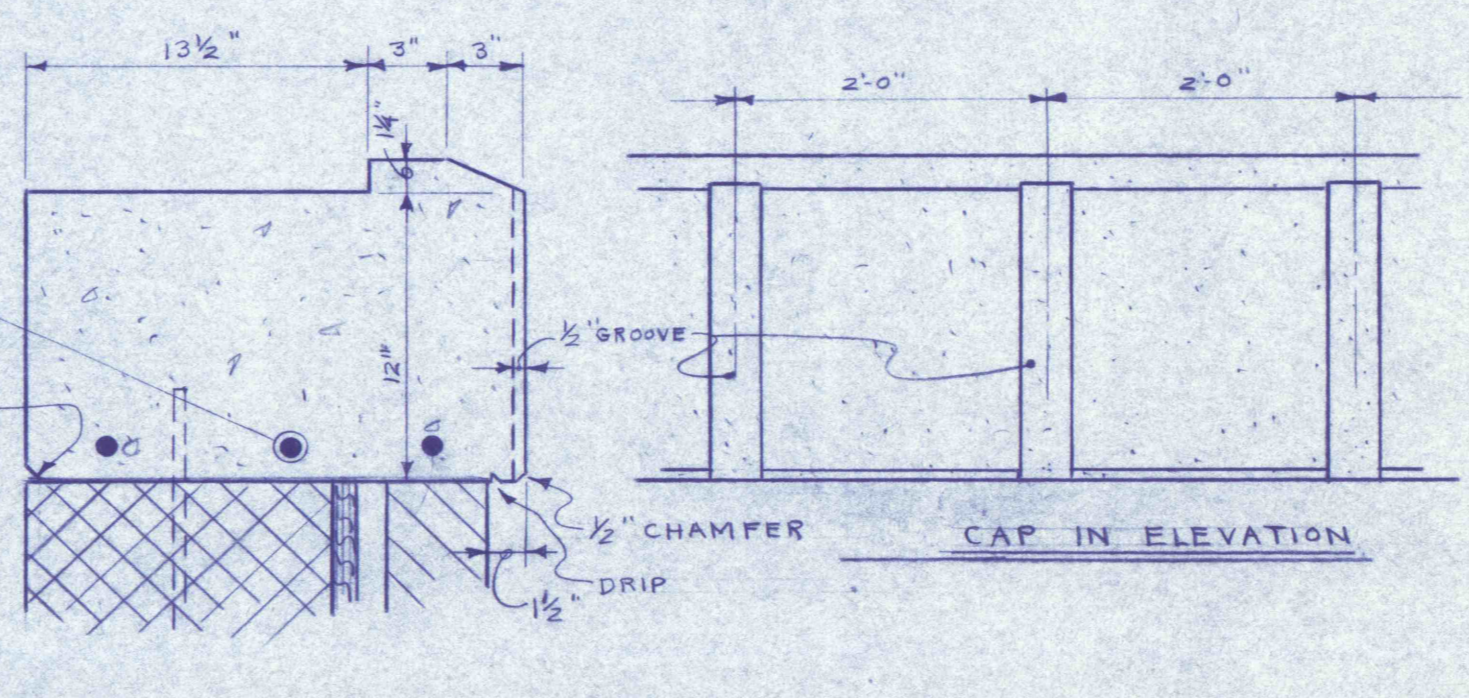
SECTION 4 SCALE: 1/2" = 1'-0" A-3



SECTION @ PIT 5 SCALE: 1/2" = 1'-0" A-3



SECTION @ PIT 6 SCALE: 1/2" = 1'-0" A-3



TYPICAL MASONRY CAP DETAIL 7 SCALE: 1/2" = 1'-0" A-3

PRE-FINAL

| REVISIONS | |
|-----------|--|
| | |
| | |
| | |

SECTIONS & DETAILS

CONSTRUCTION OF TREATMENT FACILITIES FOR ACID MINE DRAINAGE RAUSCH CREEK WATERSHED SCHUYLKILL COUNTY PENNSYLVANIA

ANTHRACITE & DEVELOPMENT CO. INC. consulting engineers POTTSVILLE PENNSYLVANIA

THOMAS H. RIE

THOMAS H. RIE

DATE: 11/14/91
SCALE: AS NOTED
DRAWN: W.T.R.
APPROVED: T.H.R., J.L.L.

DRAWING NO. **A-3**