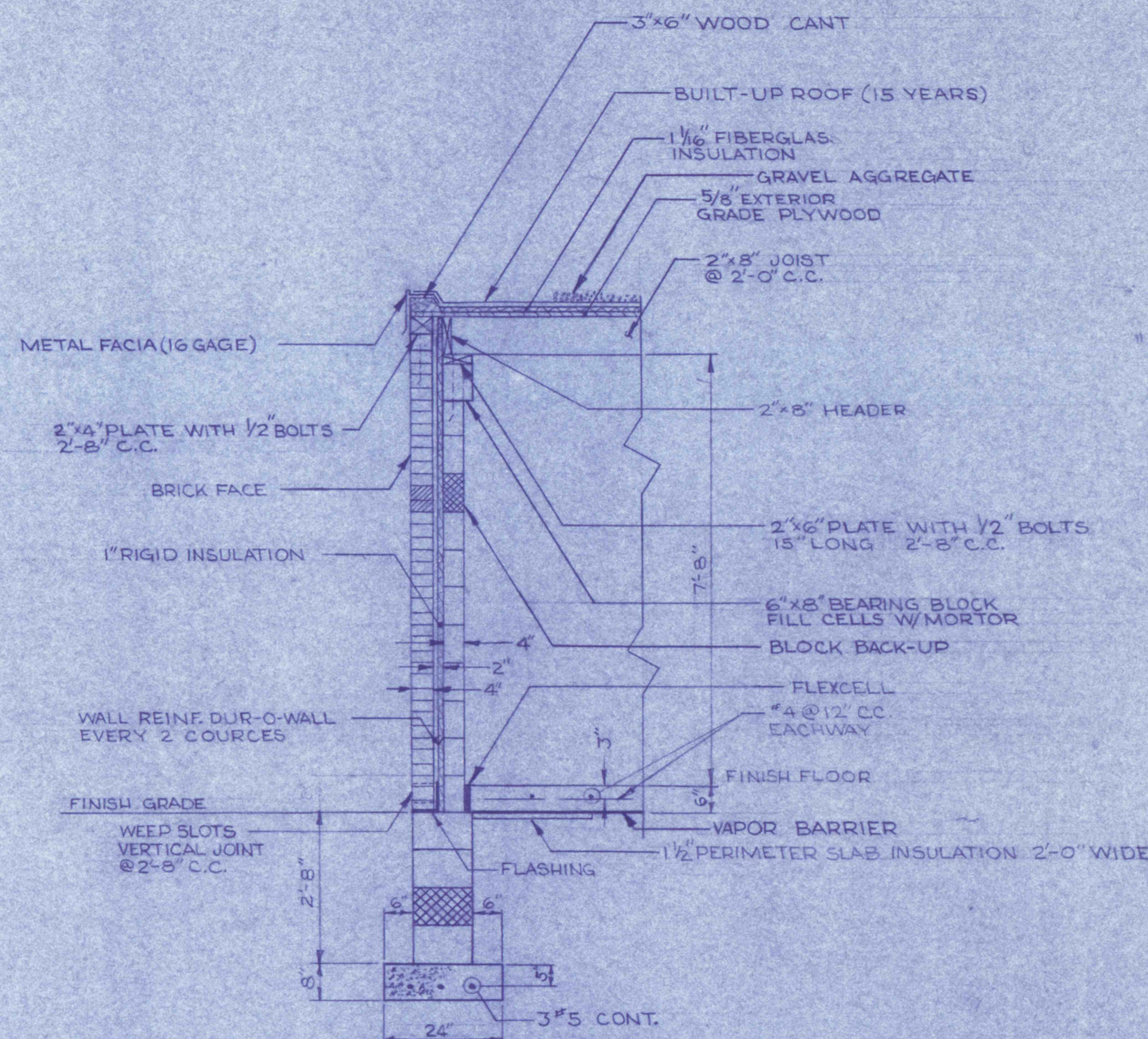
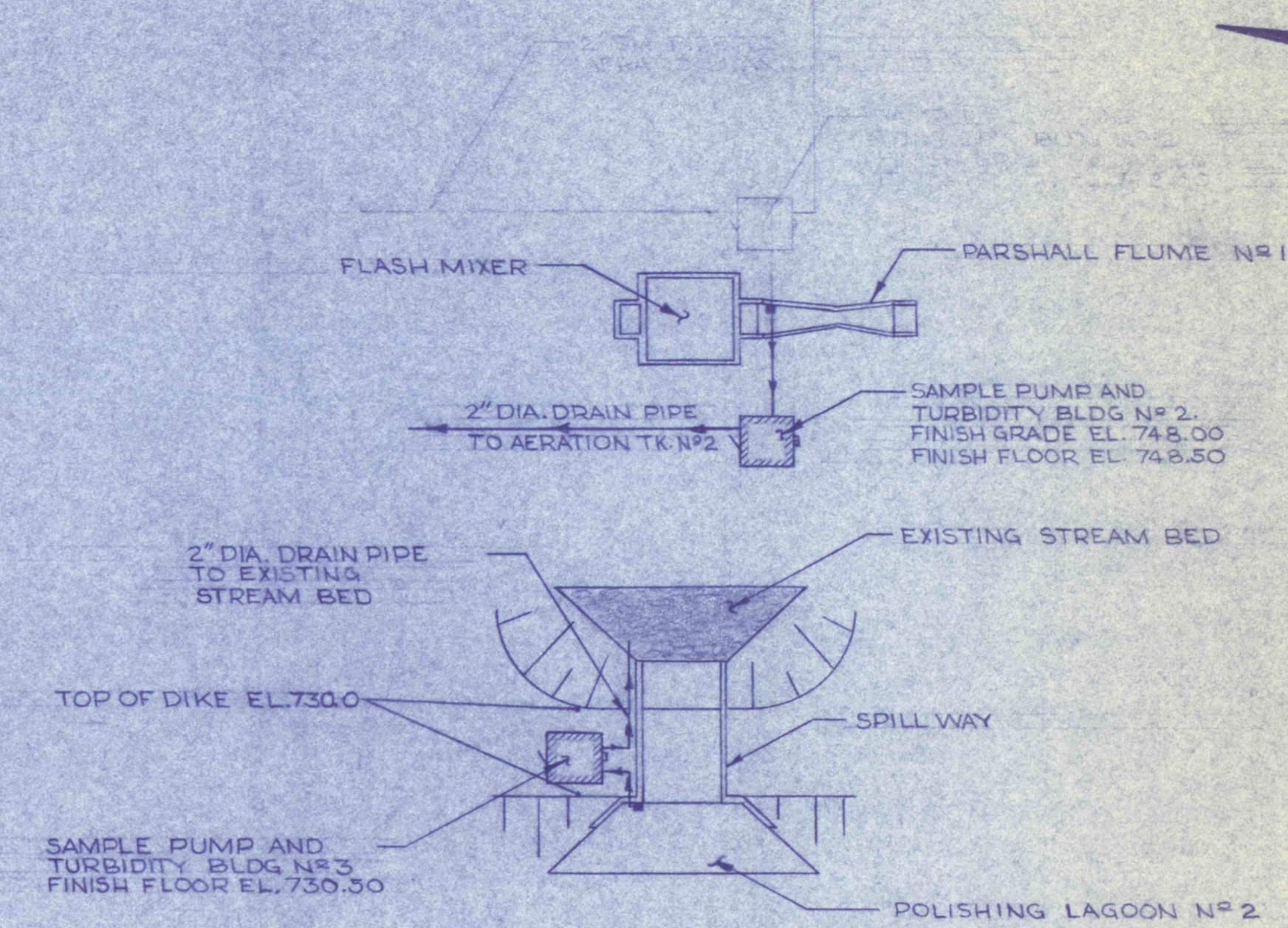


ROOF PLAN
SCALE 1/2"=1'-0"



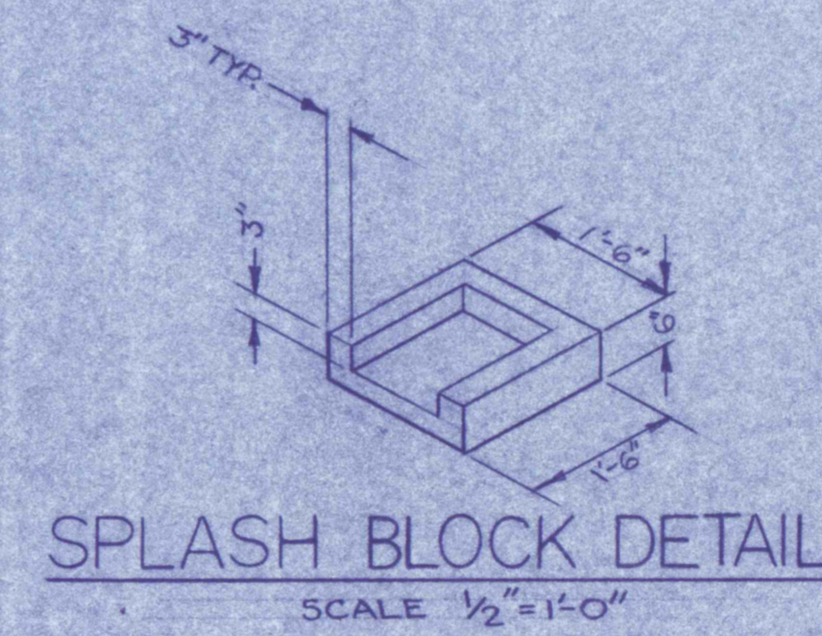
TYPICAL WALL SECTION
SCALE 1/2"=1'-0"



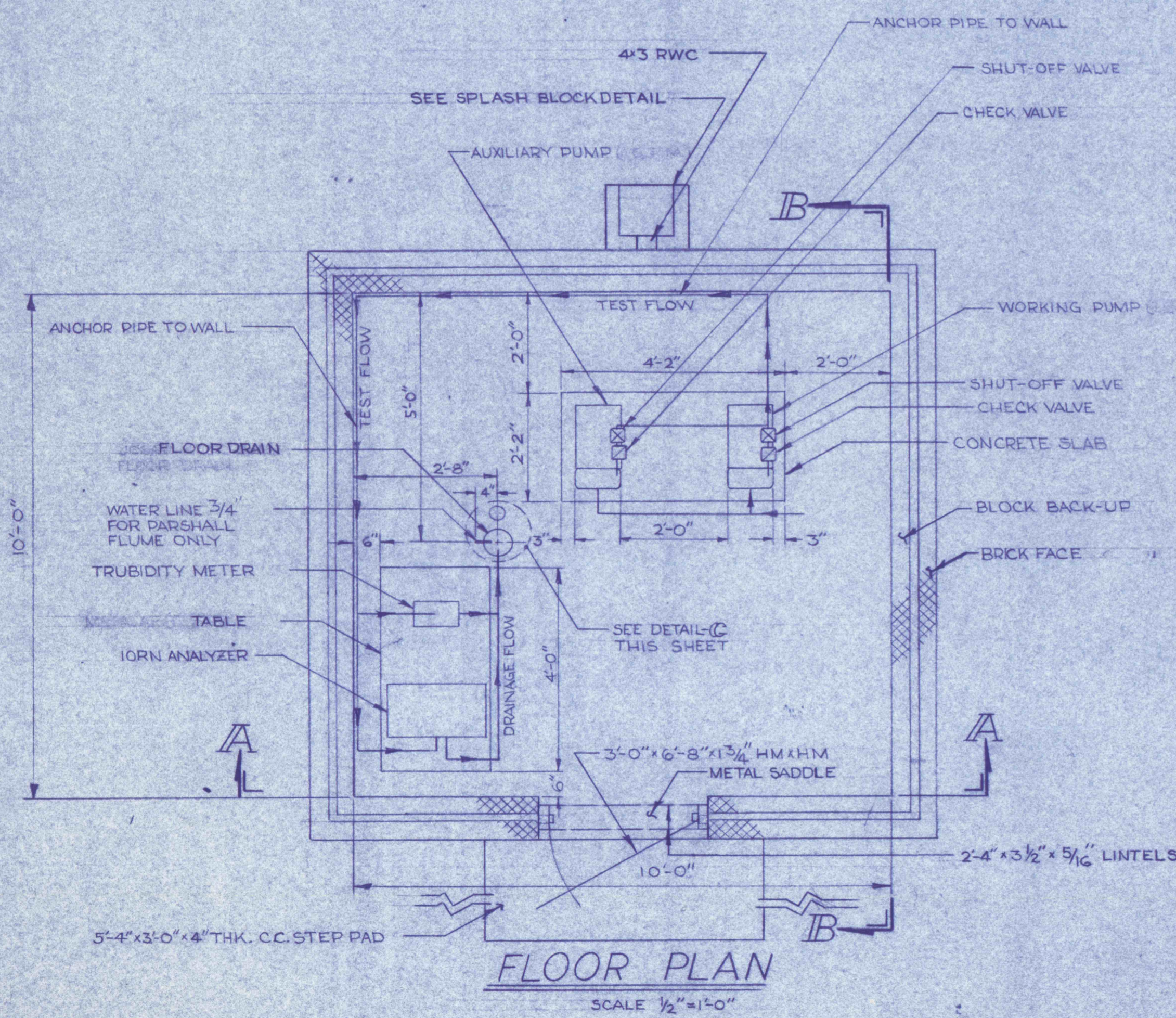
LOCATION PLAN
SCALE 1"=30'-0"

GENERAL NOTES:

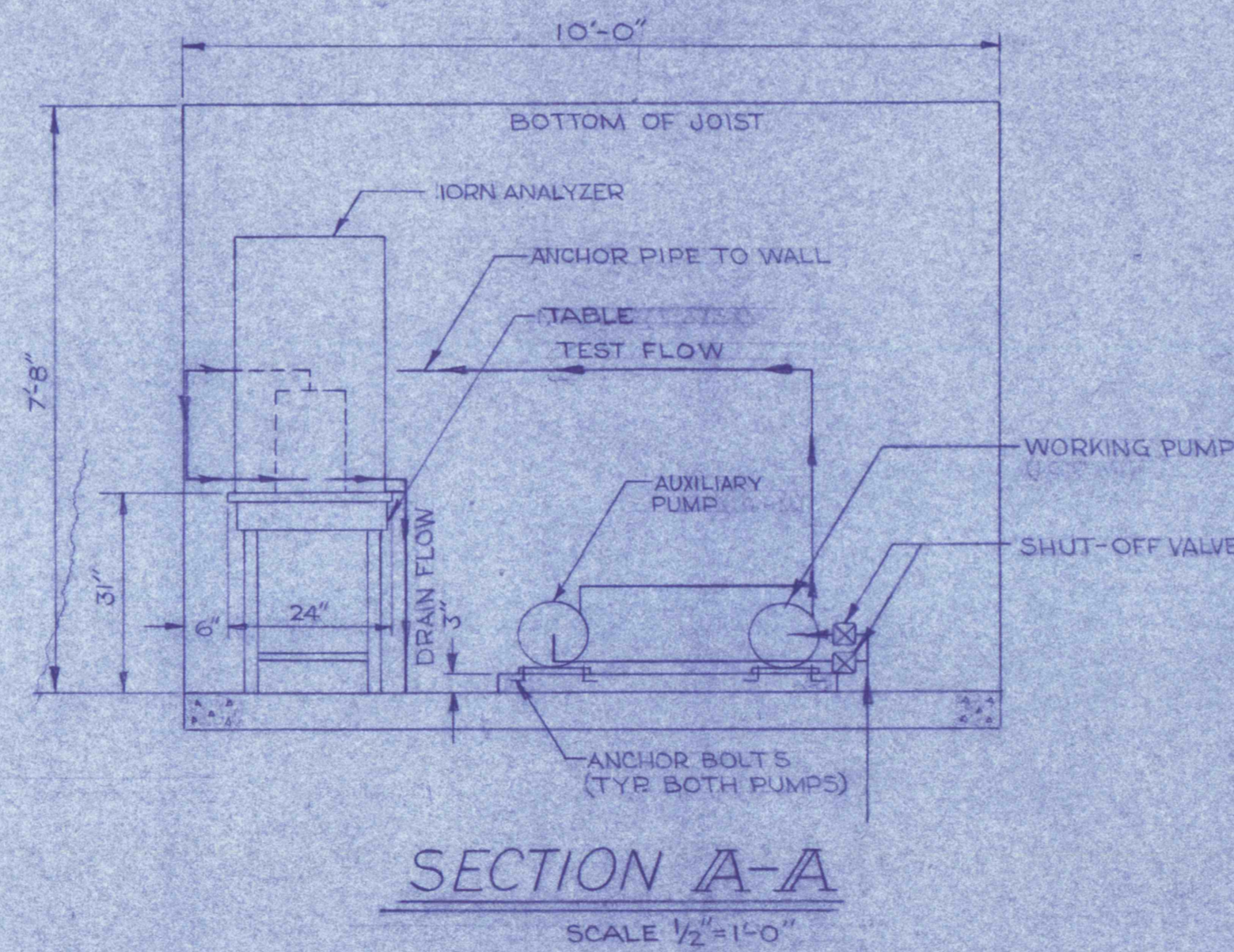
1. SEE DWG. NO. FOR ELEVATION VIEWS OF THIS BUILDING.
2. ALL PIPES & FITTINGS 1/2" DIA. UNLESS OTHERWISE SPECIFIED.
3. ALL PIPES FOR BUILDING NO. 2 TO BE STAINLESS STEEL.
4. ANCHOR ALL PIPES TO WALLS.
5. SUB-SOIL MUST BE UNIFORMLY WELL COMPACTED. A 6" BASE COURSE OF WELL COMPACTED STONE OR GRAVEL MUST BE PROVIDED BEFORE THE SLAB IS POURED.
6. DRAIN TO ROTATE TO SUIT DRAINAGE AREA.
7. ALL PIPES ENTERING & LEAVING BUILDING MUST BE UNDER FOOTER.



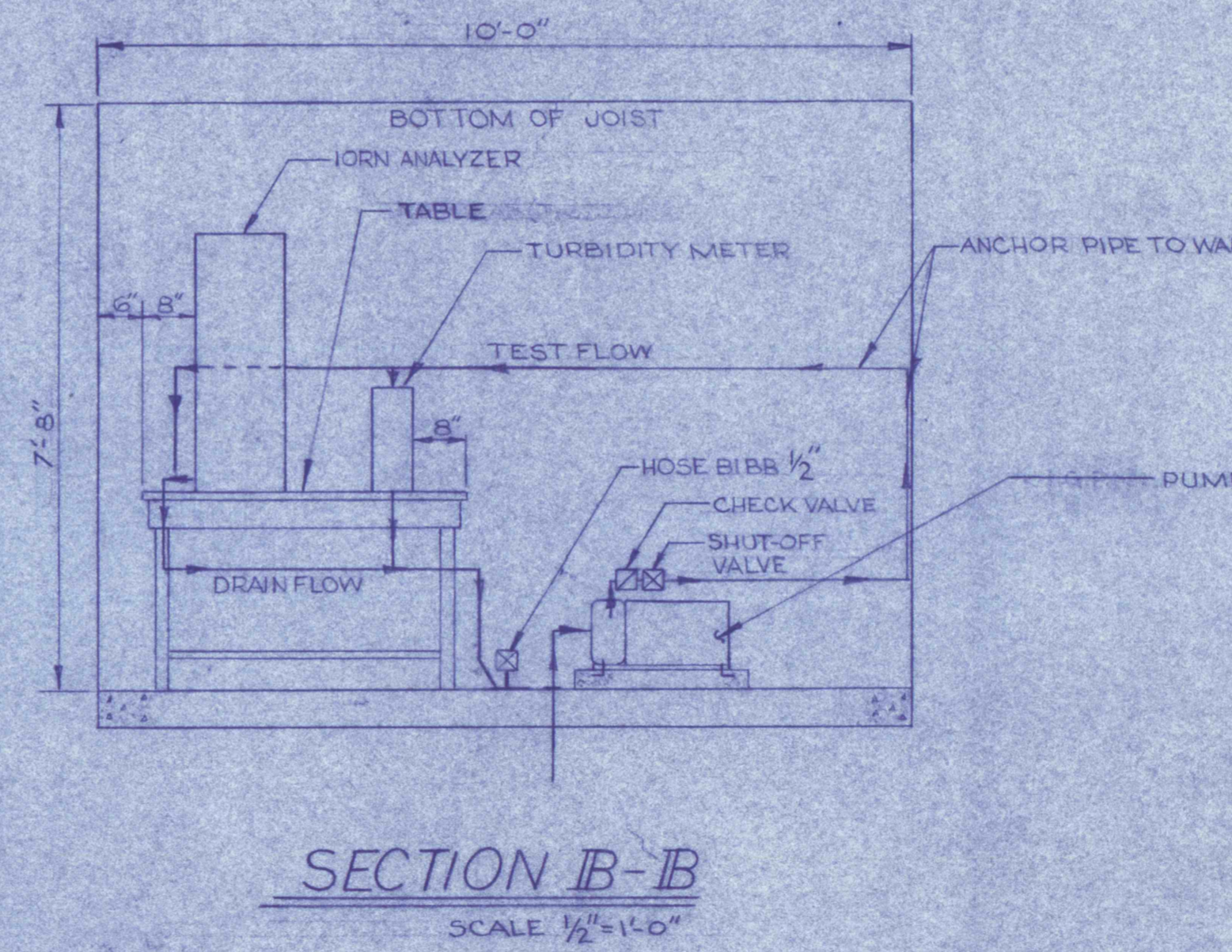
SPLASH BLOCK DETAIL
SCALE 1/2"=1'-0"



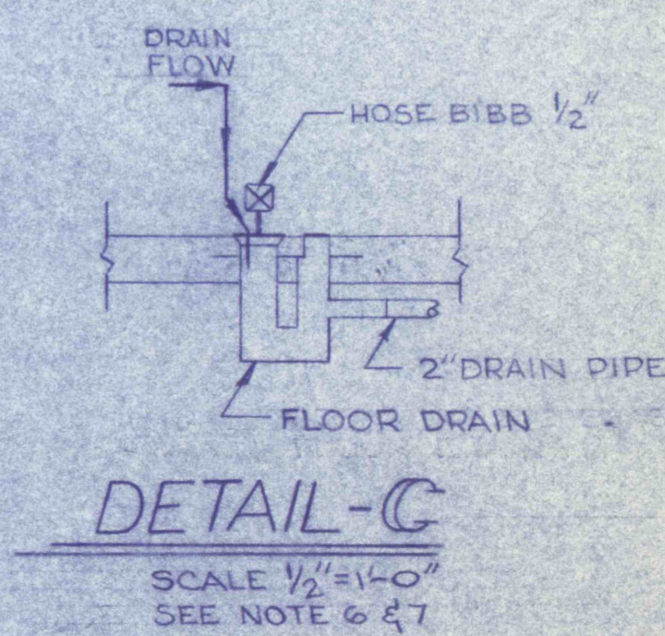
FLOOR PLAN
SCALE 1/2"=1'-0"



SECTION A-A
SCALE 1/2"=1'-0"



SECTION B-B
SCALE 1/2"=1'-0"



DETAIL C
SCALE 1/2"=1'-0"
SEE NOTE # 7

PRE-FINAL



REVISIONS	
SAMPLE PUMP BUILDING NO. 2 & 3	
CONSTRUCTION OF TREATMENT FACILITIES FOR ACID MINE DRAINAGE RAUSCH CREEK WATERSHED SCHUYLKILL COUNTY, PENNSYLVANIA	
JOB NO. 6803 DATE: NOV. 1967 SCALE: AS NOTED DRAWN: E.M. WILSON APPROVED: T.H.R. J.I.L.	DRAWING NO. C-31
ANTRACITE RESEARCH & DEVELOPMENT CO. INC. consulting engineers POTTSVILLE PENNSYLVANIA TAMAGUA	