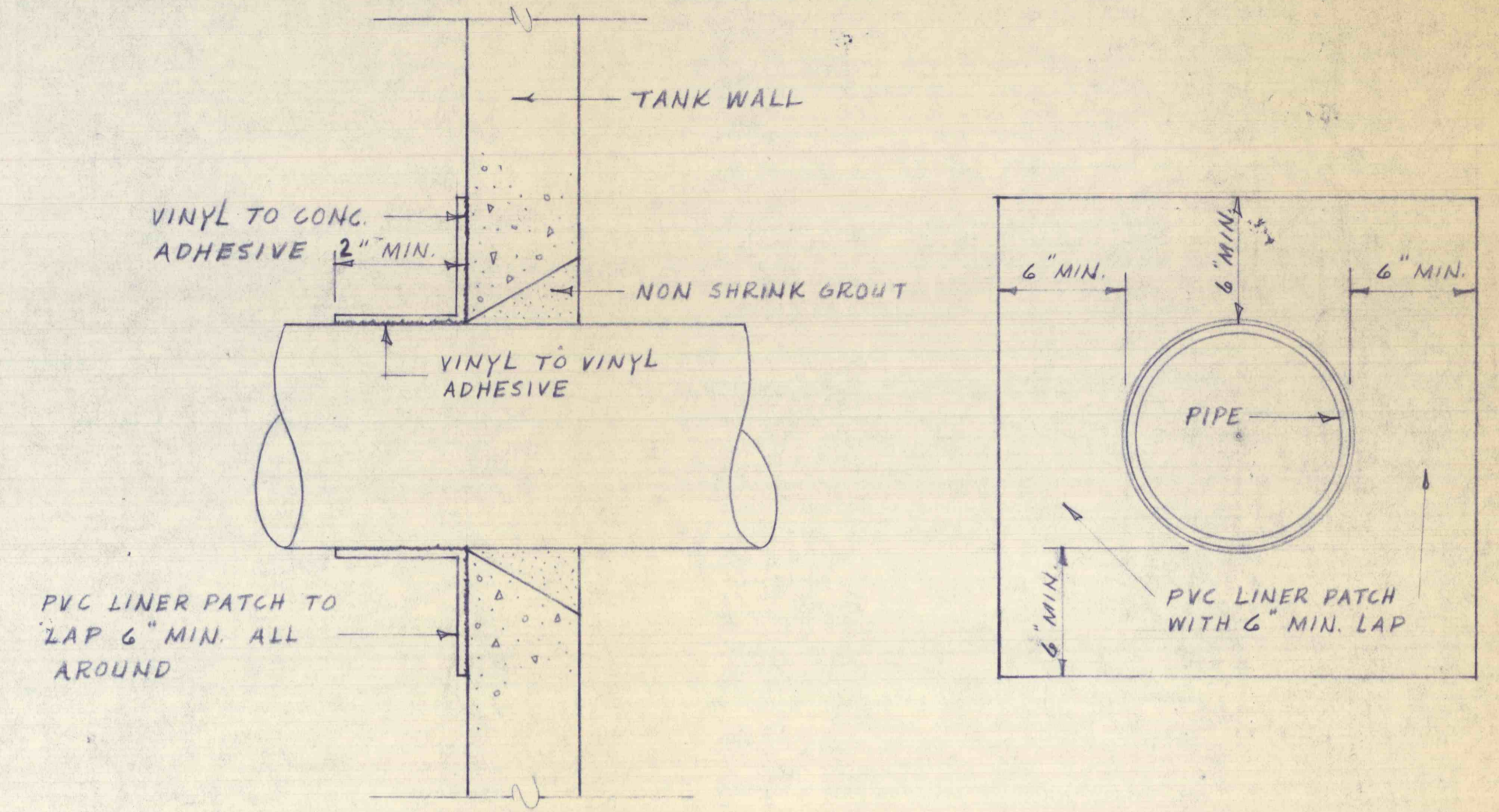
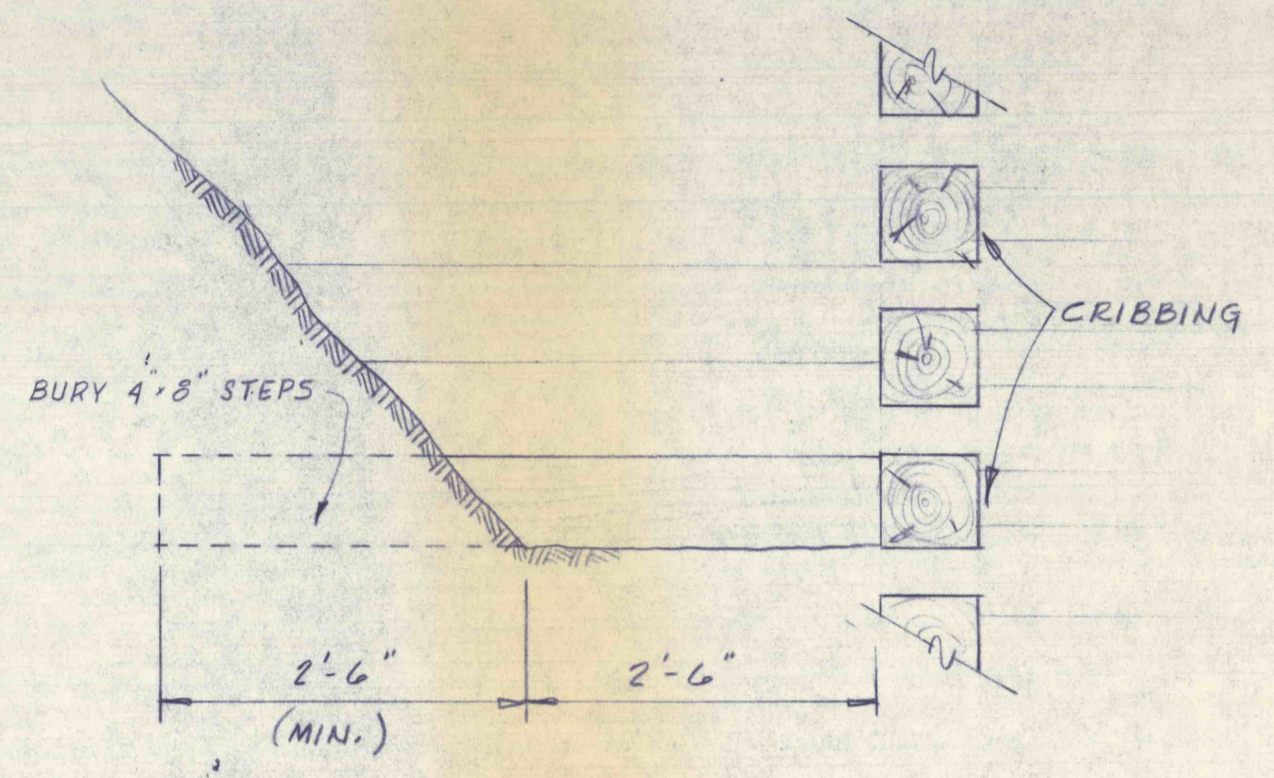
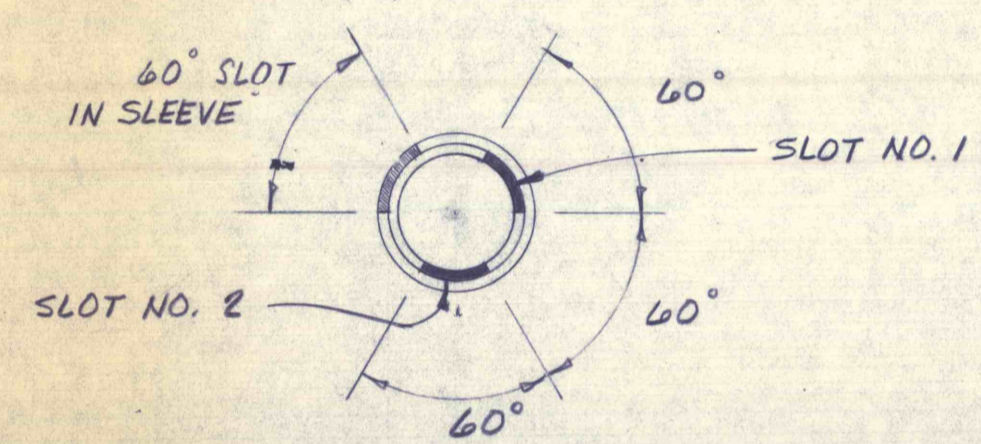


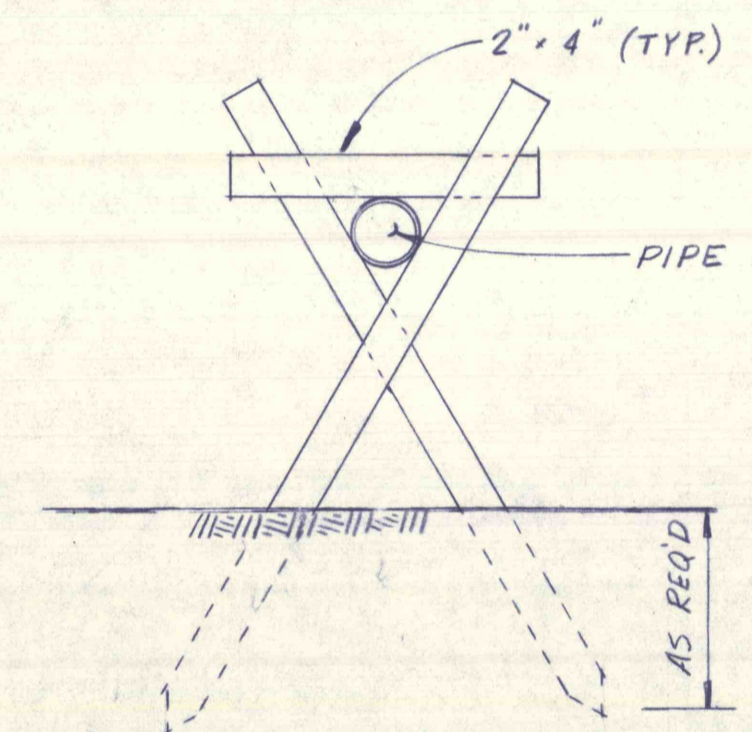
LOG STAIR DETAILS
NOT TO SCALE



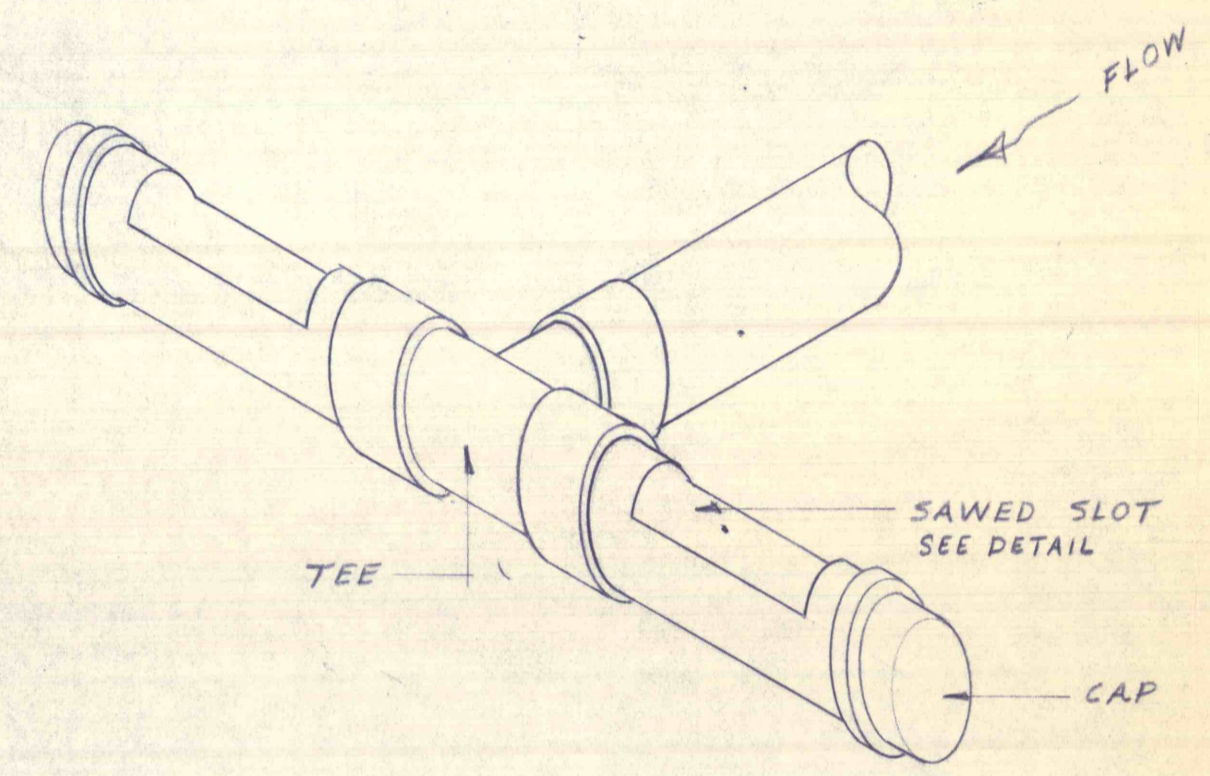
PIPE THROUGH WALL DETAIL
NOT TO SCALE



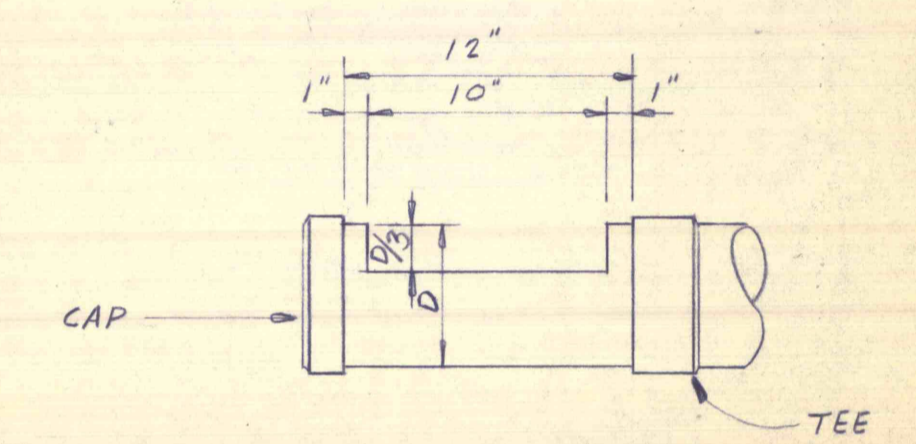
SLOT DETAIL



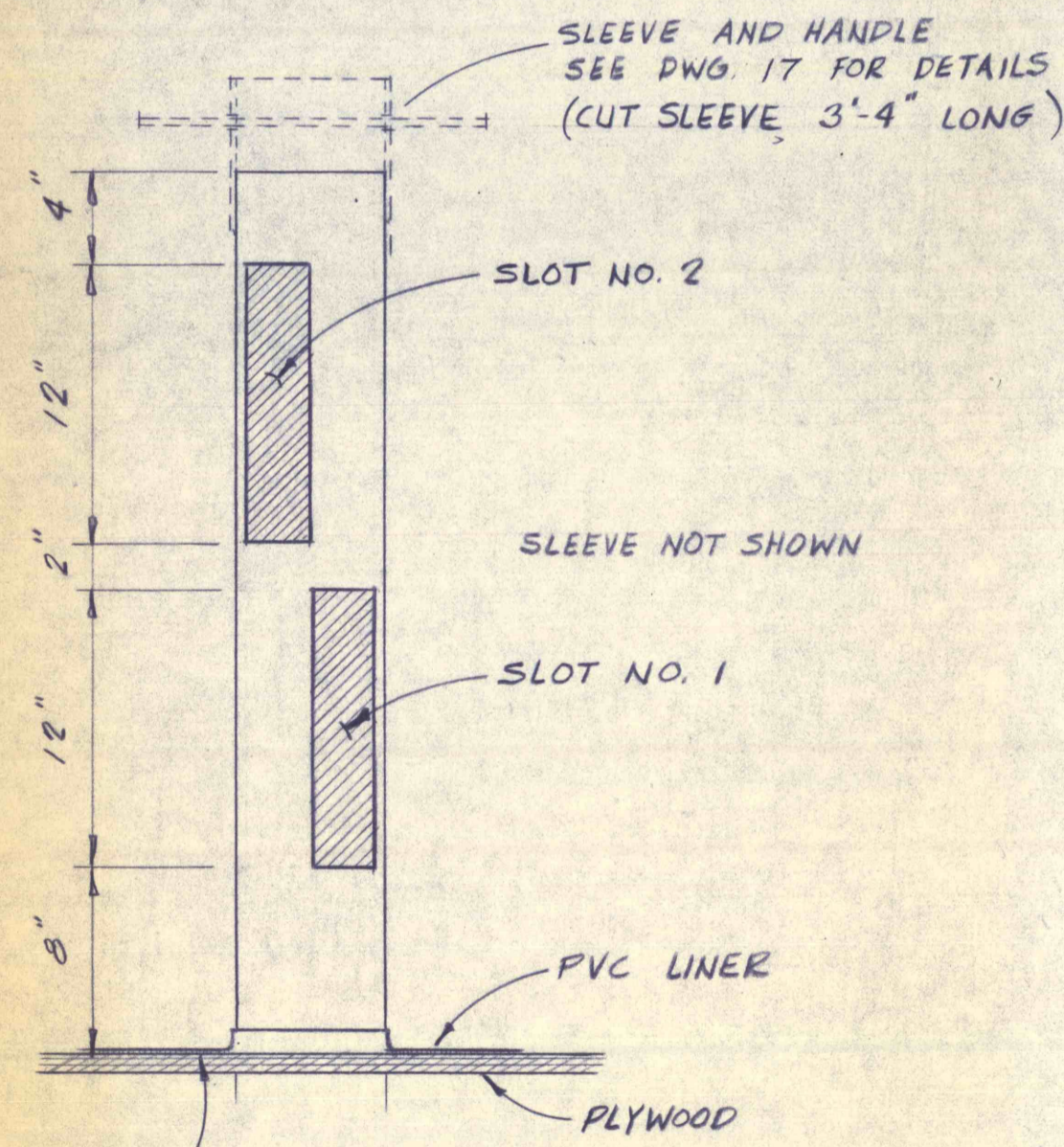
PIPE SUPPORT
SCALE: 3/4" = 1'-0"



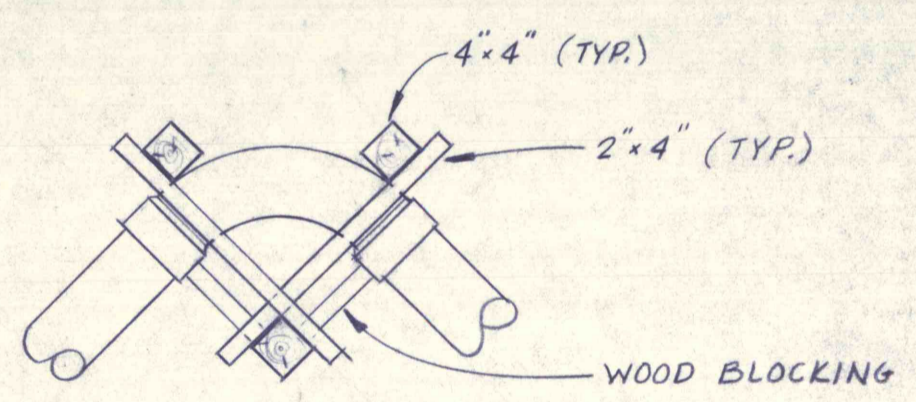
P.V.C. PIPE DIFFUSER FOR TANKS
NOT TO SCALE



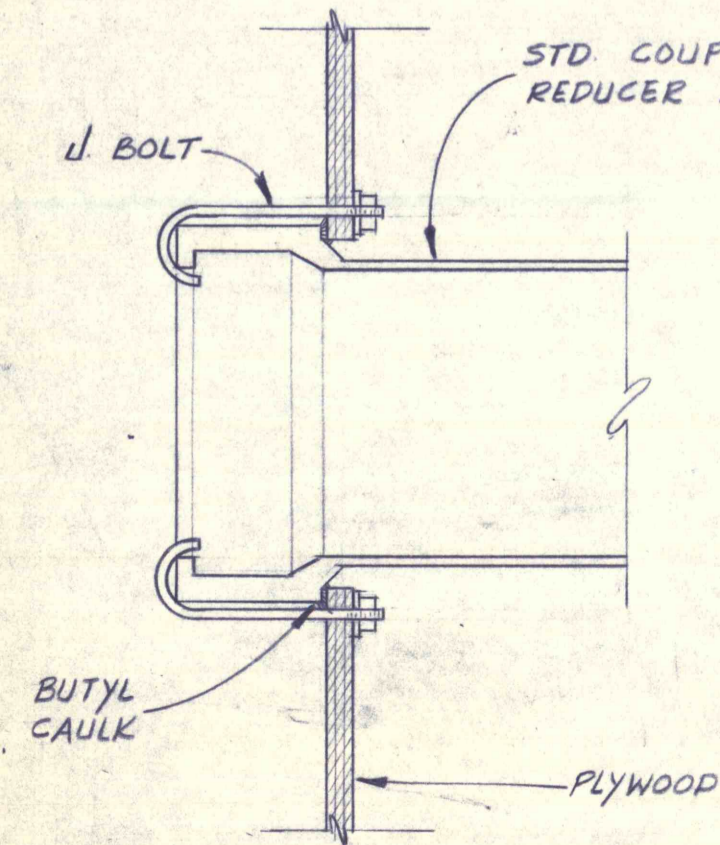
SLOT DETAIL



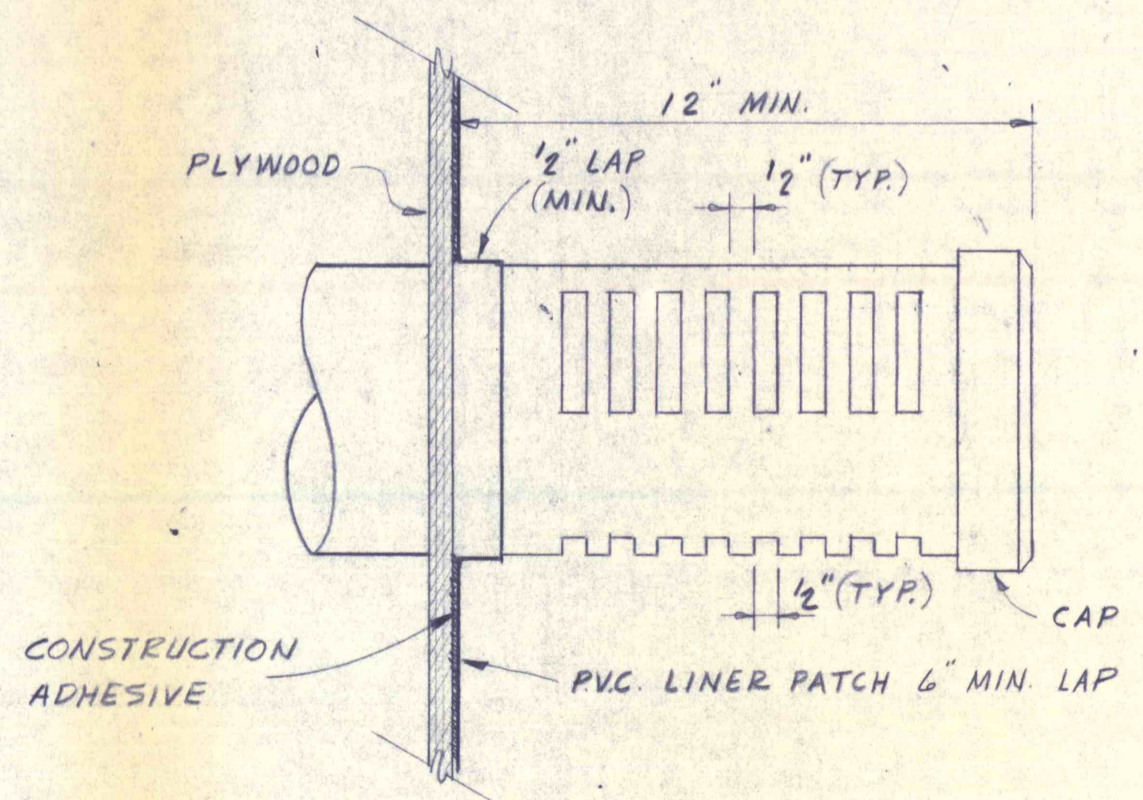
MULTIPLE SLEEVE GATE
SCALE: 1 1/2" = 1'-0"



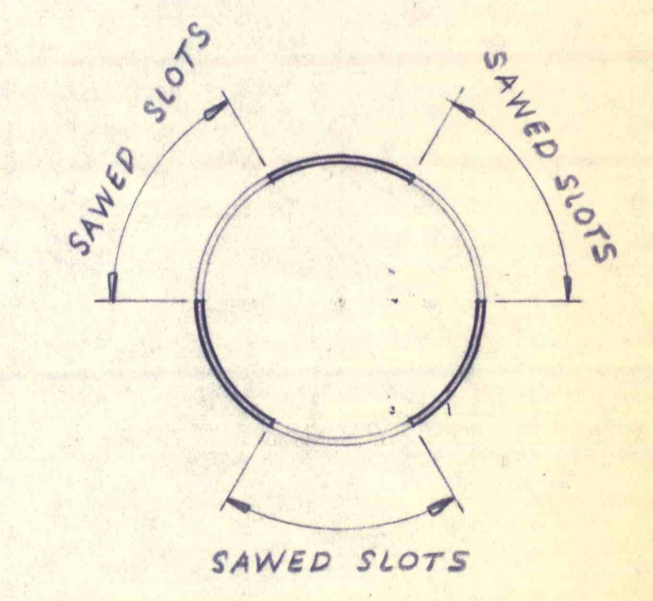
CORNER DETAIL
SCALE: 3/4" = 1'-0"



PIPE THROUGH PLYWOOD DETAIL
SCALE: 3" = 1'-0"



WEIR BOX DIFFUSER DETAIL
SCALE: 3" = 1'-0"



NO.	DATE	REVISION	APPR.
SUBMITTED			
PROFESSIONAL			
APPROVED			
APPROVED			
COMMONWEALTH OF PENNSYLVANIA DEPARTMENT OF ENVIRONMENTAL RESOURCES OFFICE OF RESOURCES MANAGEMENT CONTRACT NO. SL 135-10-102.1 QUAKAKE TUNNEL DEMONSTRATION PROJECT PACKER TWP. CARBON CO., PA. GEO - Technical Services CONSULTING ENGINEERS & GEOLOGISTS 851 So. 19th St. HARRISBURG, PENNA.			
MISC. DETAILS			
DRAWN BY	DATE	DRAWING NO.	
R.L.A.	MAY 1977	18 of 18	
CHECKED BY	SCALE		
S.J.M.	AS SHOWN		