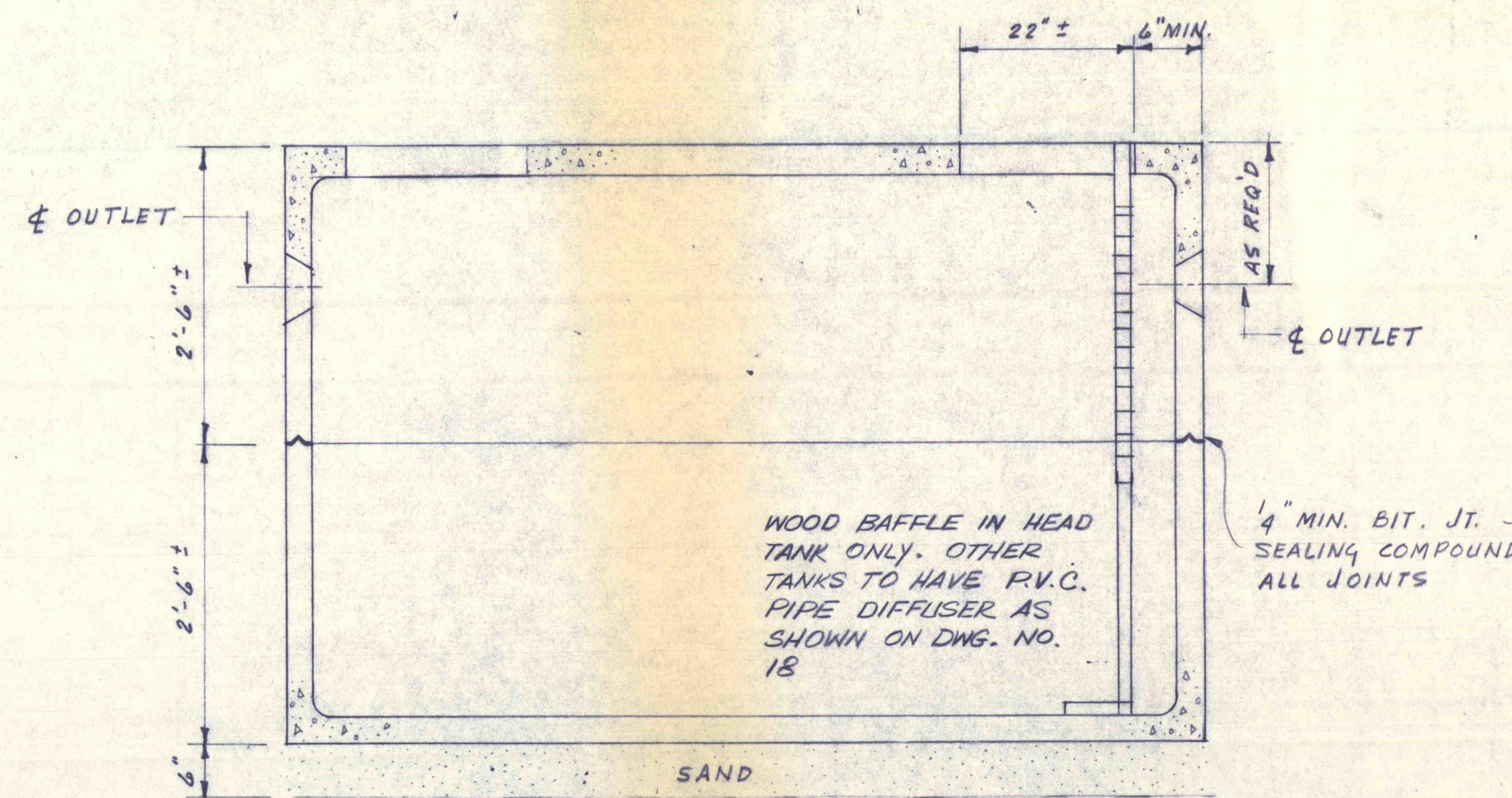
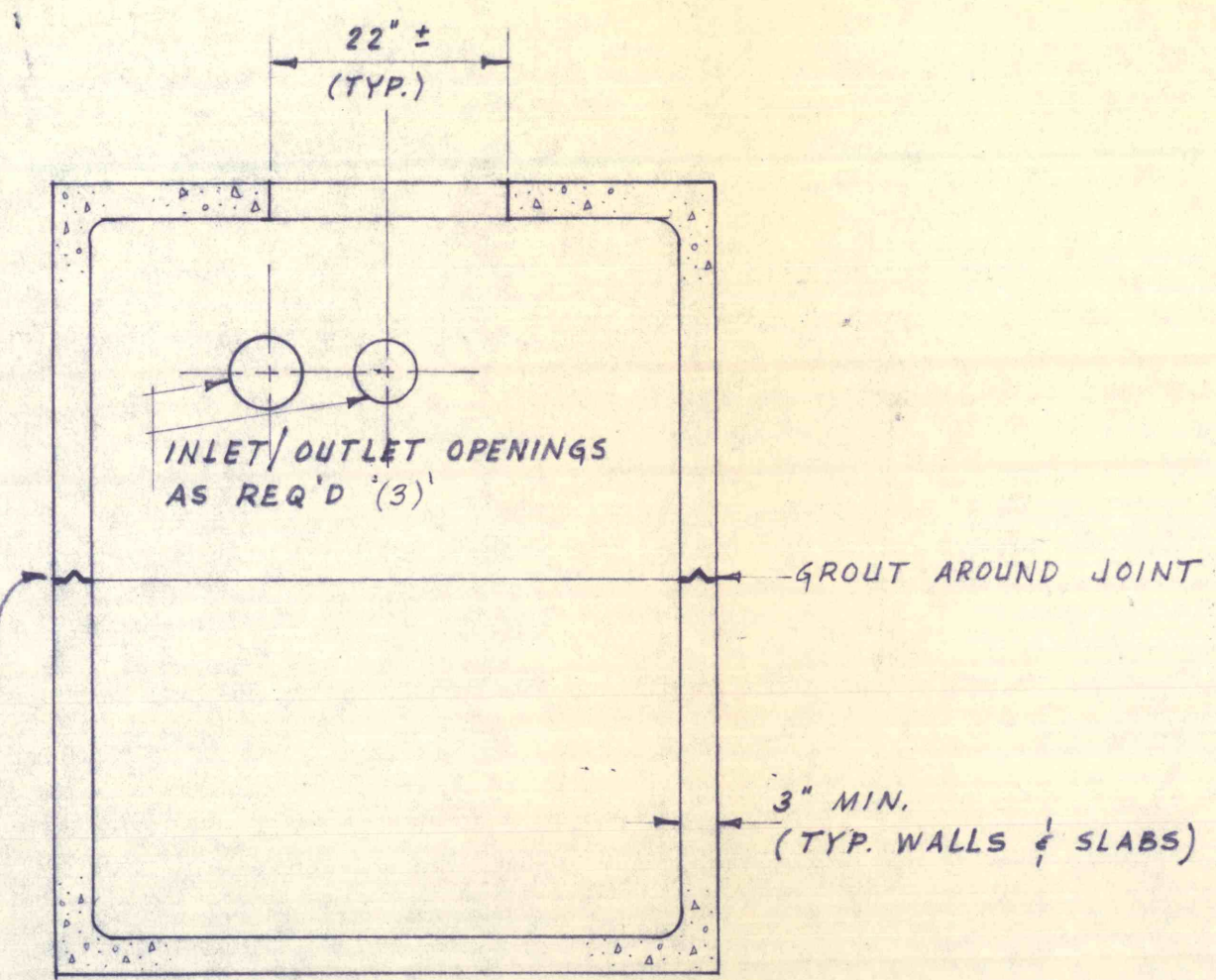


PLAN
SCALE: 3/4" = 1'-0"



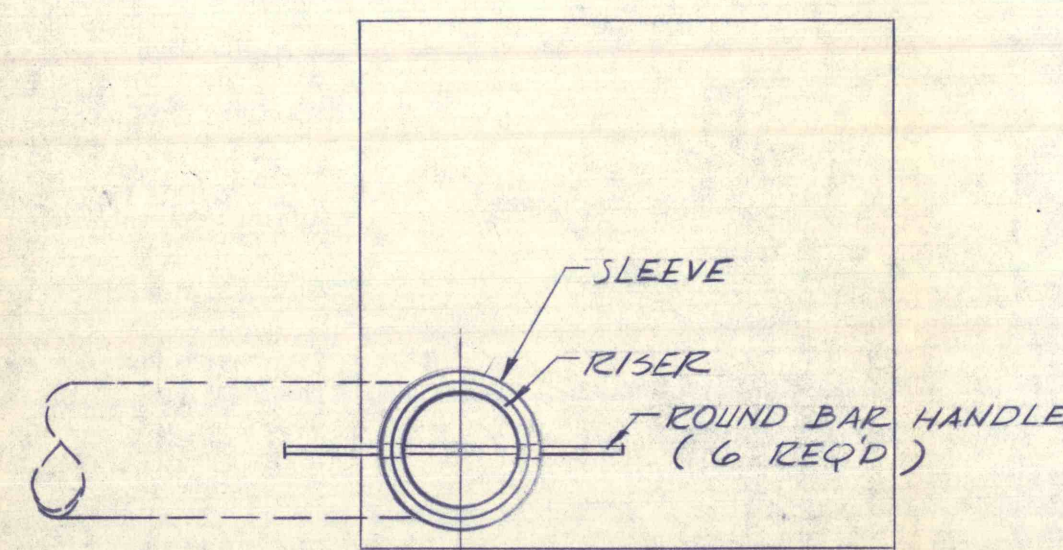
LONG SECTION
SCALE: 3/4" = 1'-0"



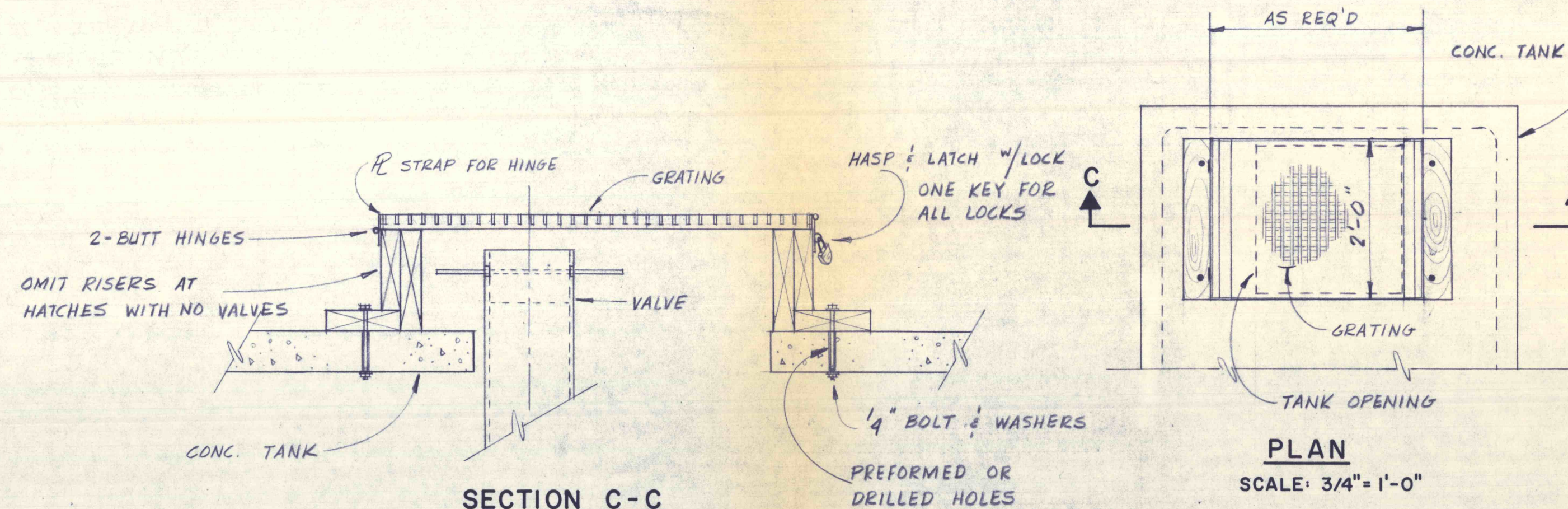
TRANSVERSE SECTION
SCALE: 3/4" = 1'-0"

- NOTES:**
1. COMMERCIALY PRODUCED CONCRETE SEPTIC TANKS ARE TO BE USED. DIMENSIONS AND DETAILS SHOWN REPRESENT ACCEPTABLE CONSTRUCTION. THE CONTRACTOR SHALL SUBMIT FABRICATION DRAWINGS SHOWING THE EXACT DETAILS AND DIMENSIONS OF THE TANK TO BE USED.
 2. PLACE TANKS ON 6" SAND BED.
 3. LOCATION OF HOLES THROUGH TANK ARE DEPENDANT ON SIZE OF PVC. FITTINGS WHICH VARY WITH MANUFACTURER. THE CONTRACTOR SHALL SHOW ALL REQUIRED OPENINGS ON THE FABRICATION DRAWINGS WITH EXACT DIMENSIONS COMPUTED FOR THE TYPE OF PIPE USED.

TANK FABRICATION DETAILS
SCALE: 3/4" = 1'-0"



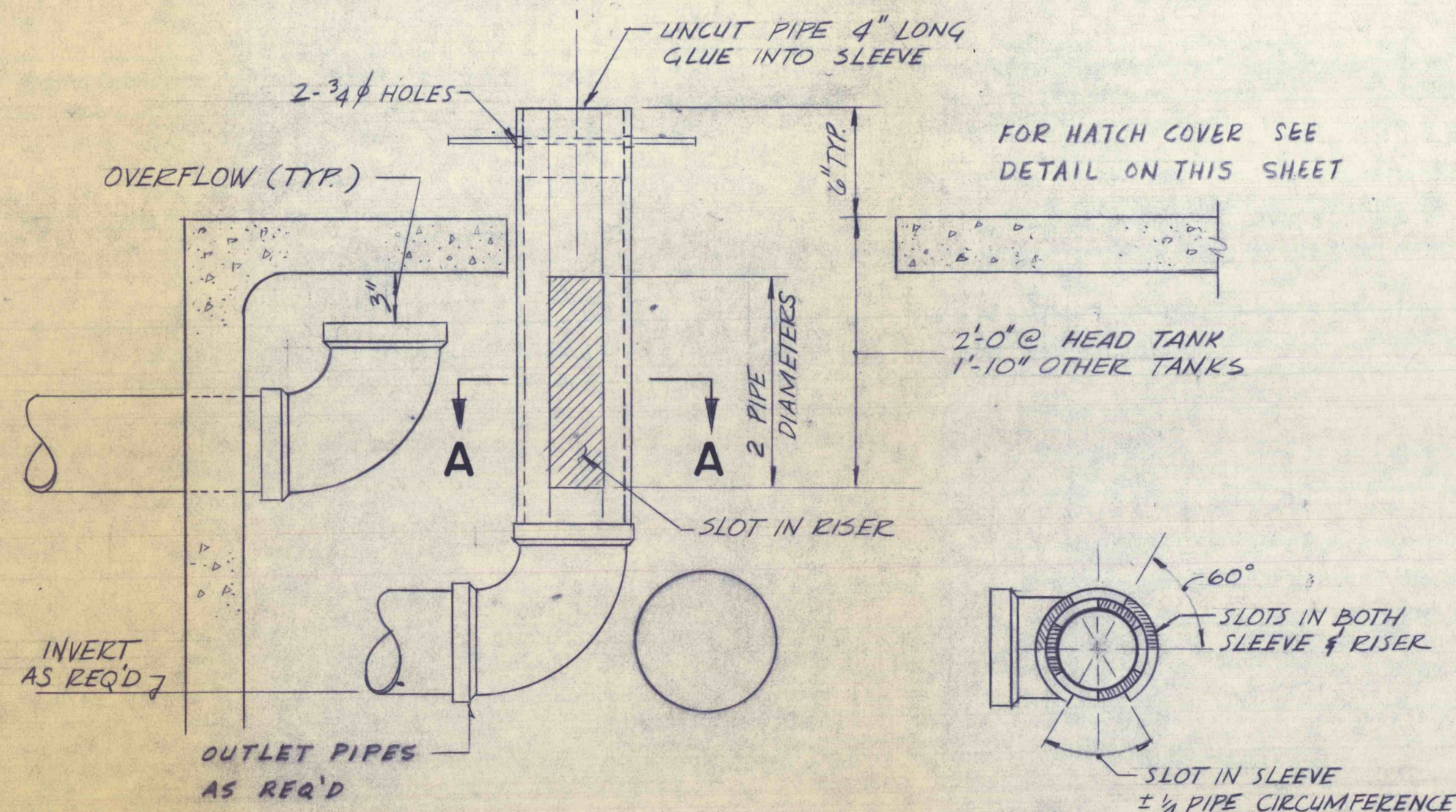
PLAN
SCALE: 1 1/2" = 1'-0"



SECTION C-C
SCALE: 1 1/2" = 1'-0"

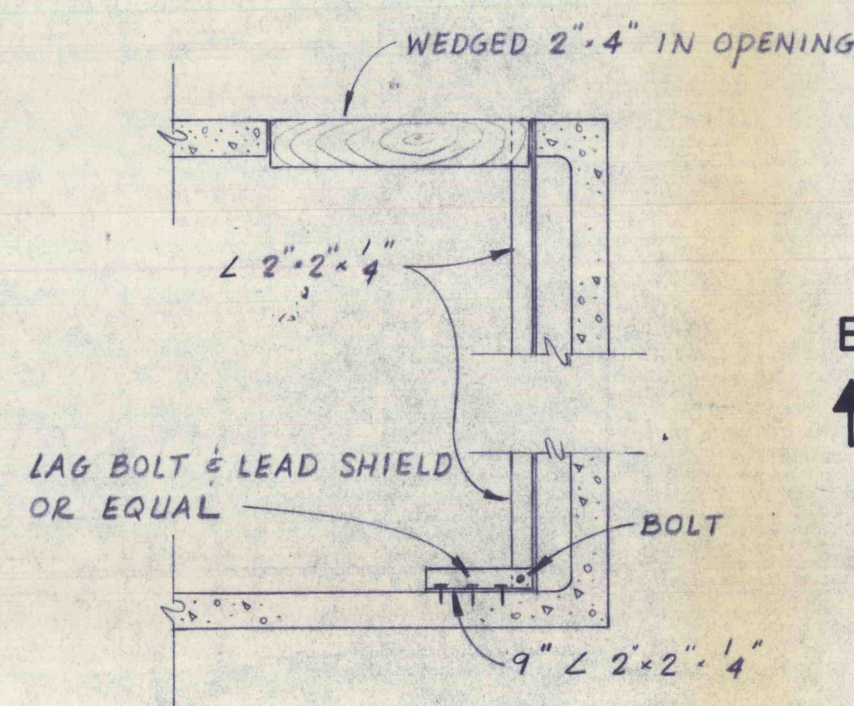
PLAN
SCALE: 3/4" = 1'-0"

HATCH DETAIL

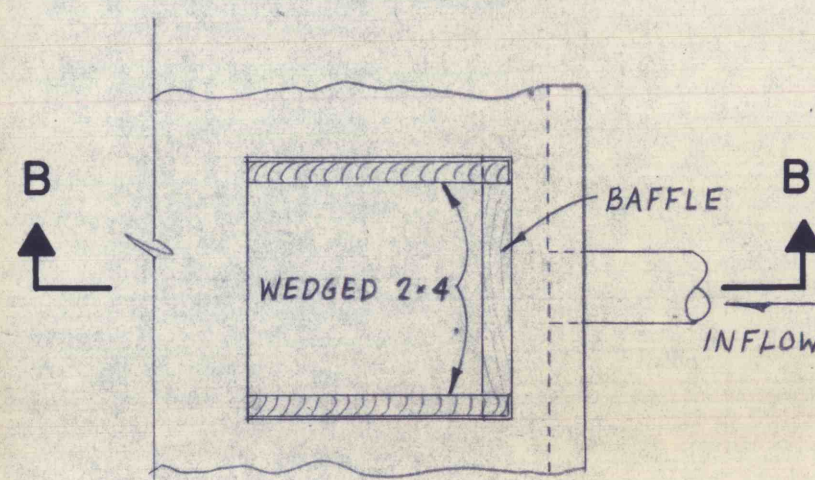


SECTION A-A

P.V.C. SLEEVE GATE
SCALE: 1 1/2" = 1'-0"

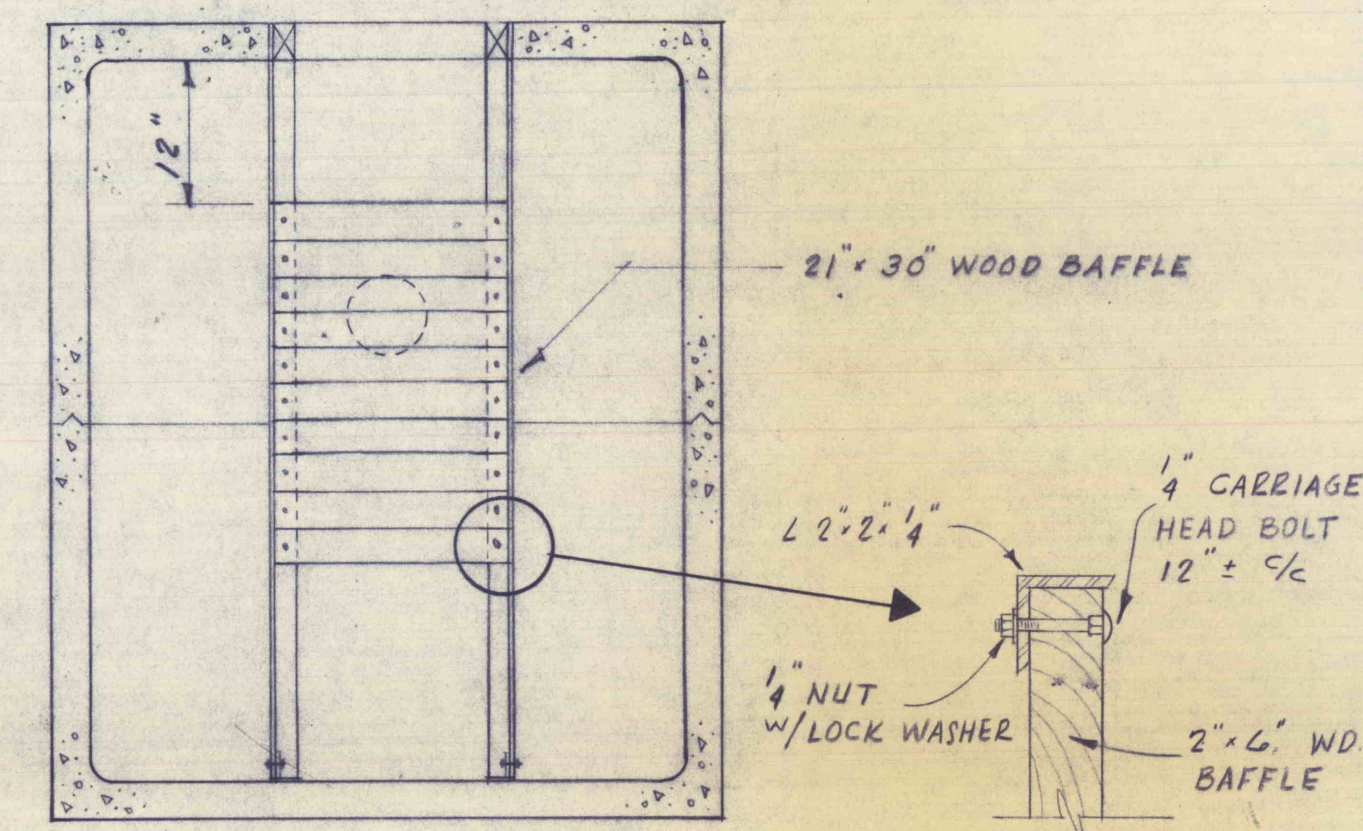


SECTION B-B



PLAN

HEAD TANK BAFFLE
SCALE: 3/4" = 1'-0"



ELEVATION

BAFFLE ANCHORAGE
SCALE: 3" = 1'-0"

NO.	DATE	REVISION	APPR.
SUBMITTED			
APPROVED			
APPROVED			
COMMONWEALTH OF PENNSYLVANIA DEPARTMENT OF ENVIRONMENTAL RESOURCES OFFICE OF RESOURCES MANAGEMENT			
CONTRACT NO. SL 135-10-102.1			
QUAKAKE TUNNEL DEMONSTRATION PROJECT			
PACKER TWP.		CARBON CO., PA.	
GEO - Technical Services CONSULTING ENGINEERS & GEOLOGISTS 851 So. 19th St. HARRISBURG, PENNA.			

**HEAD TANK
DETAILS**