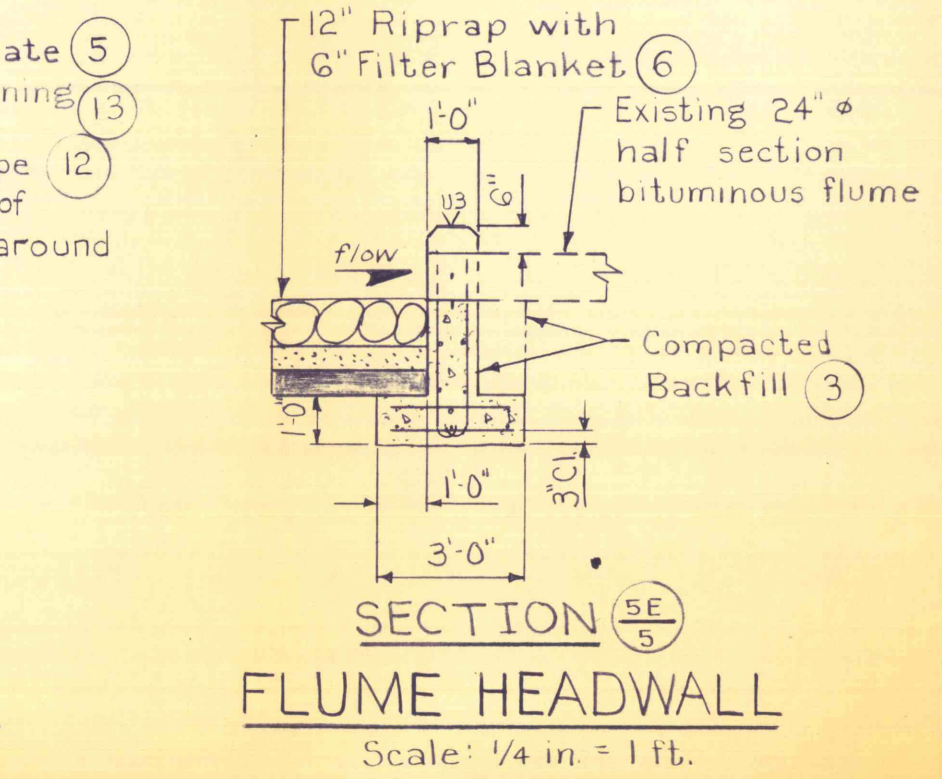
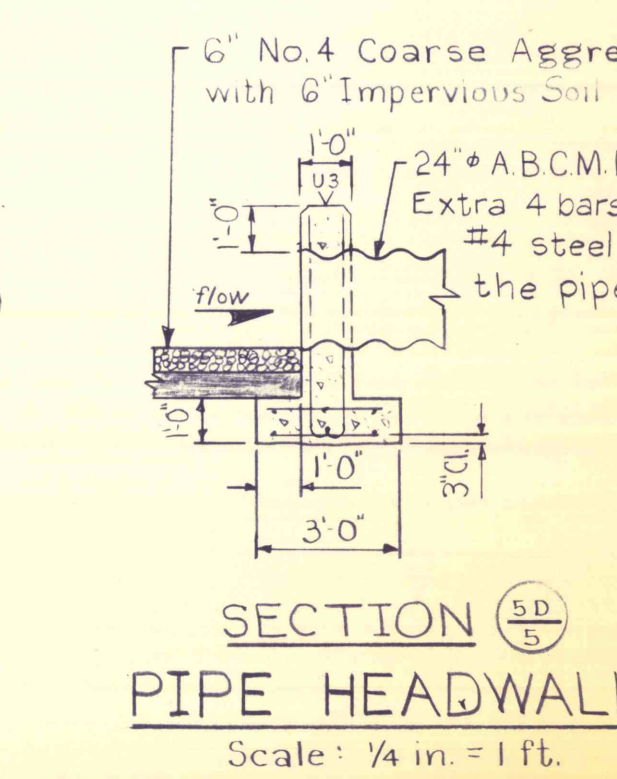
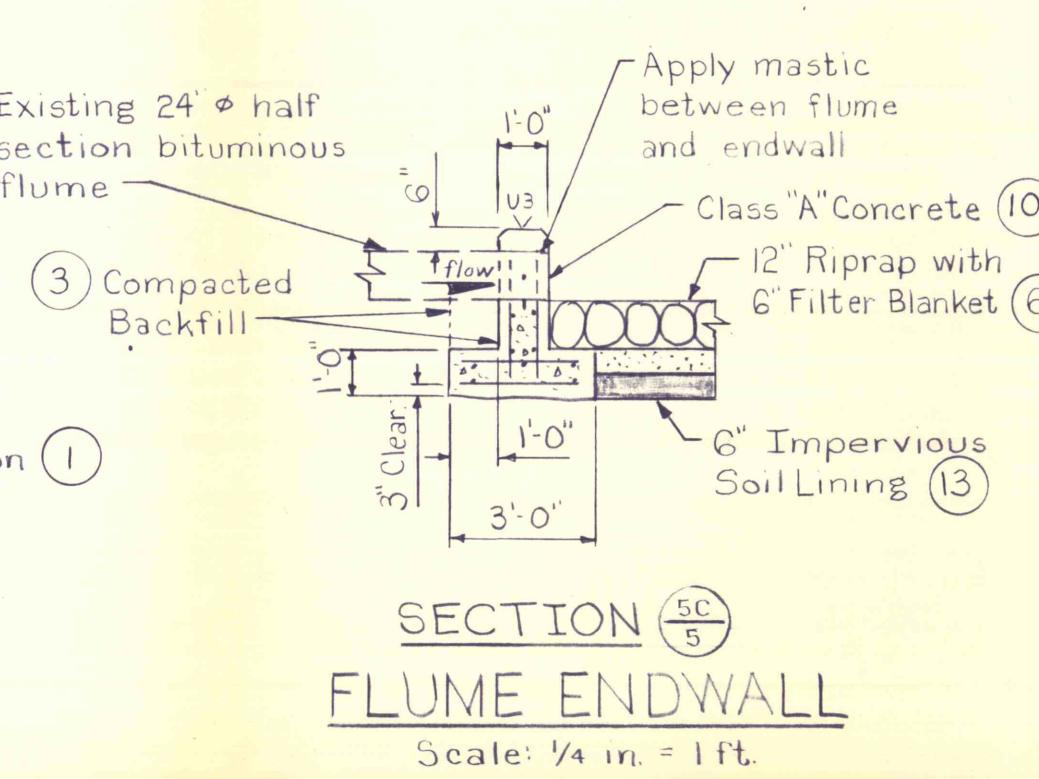
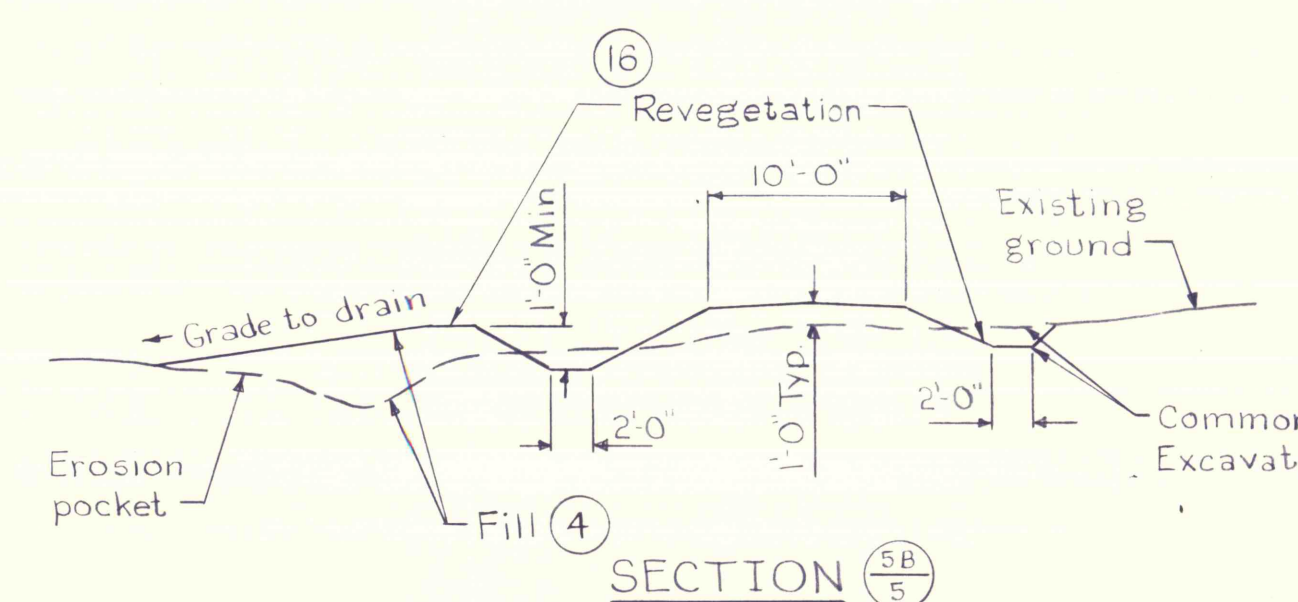
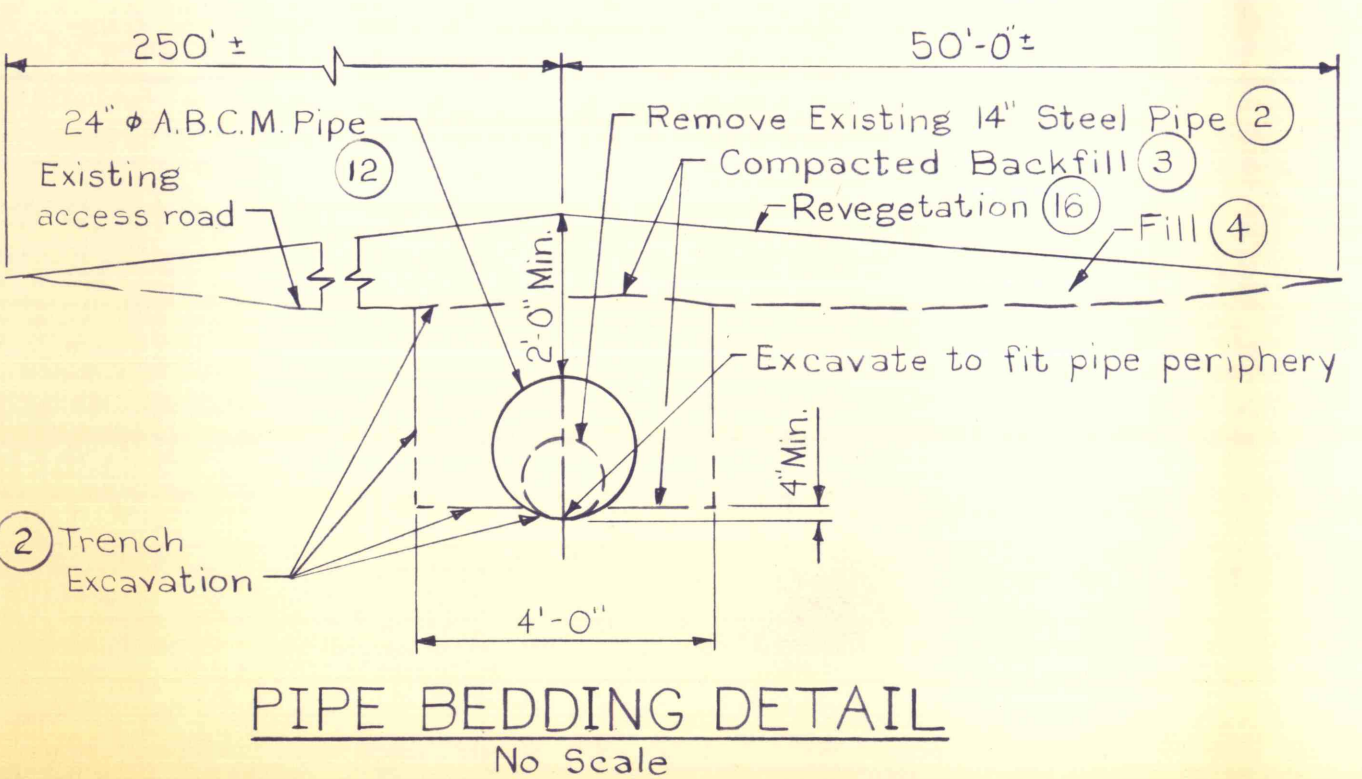
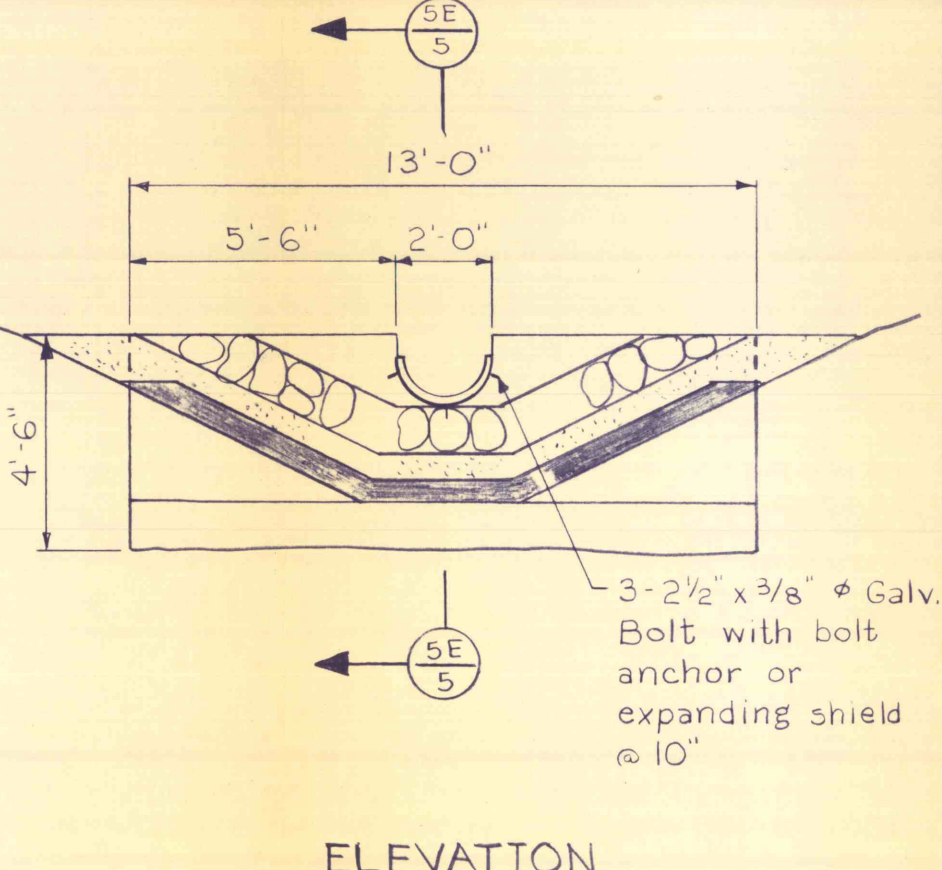
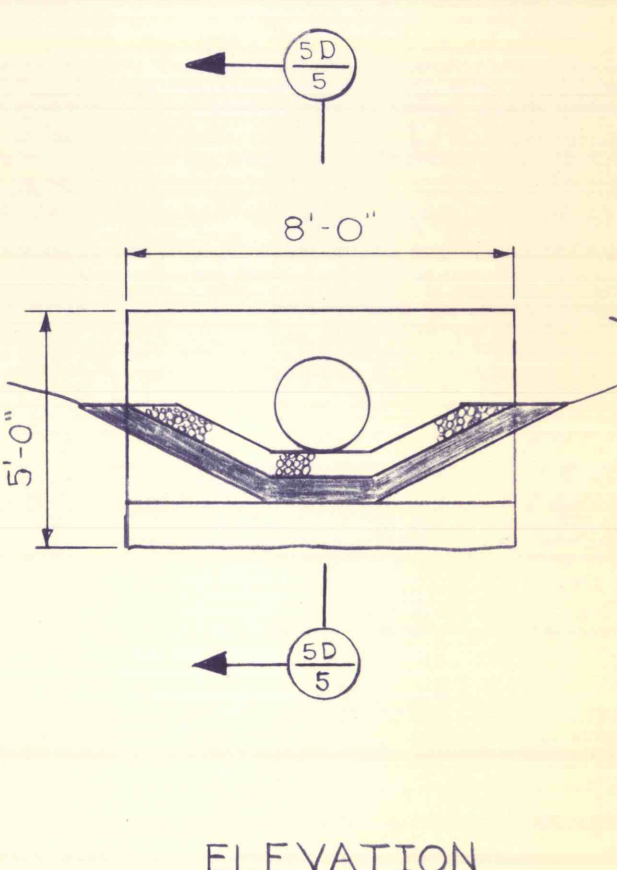
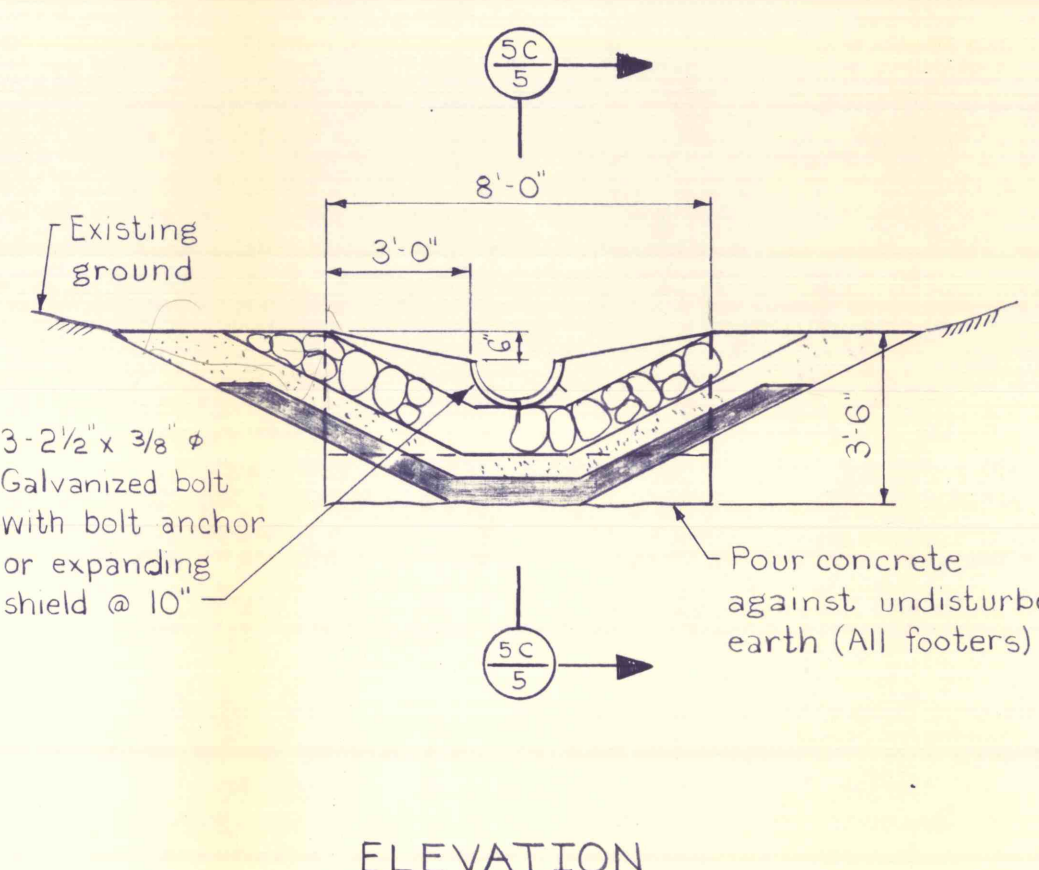
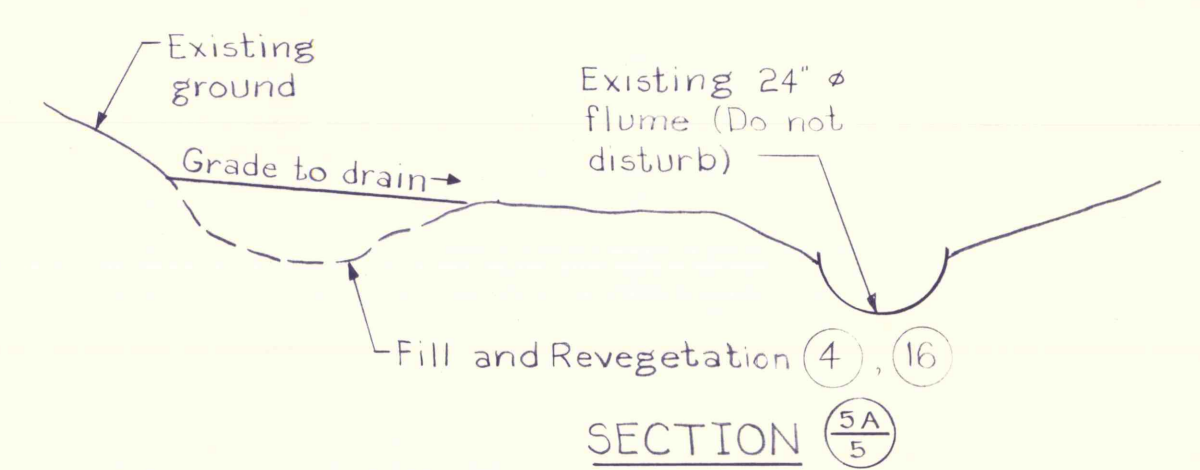
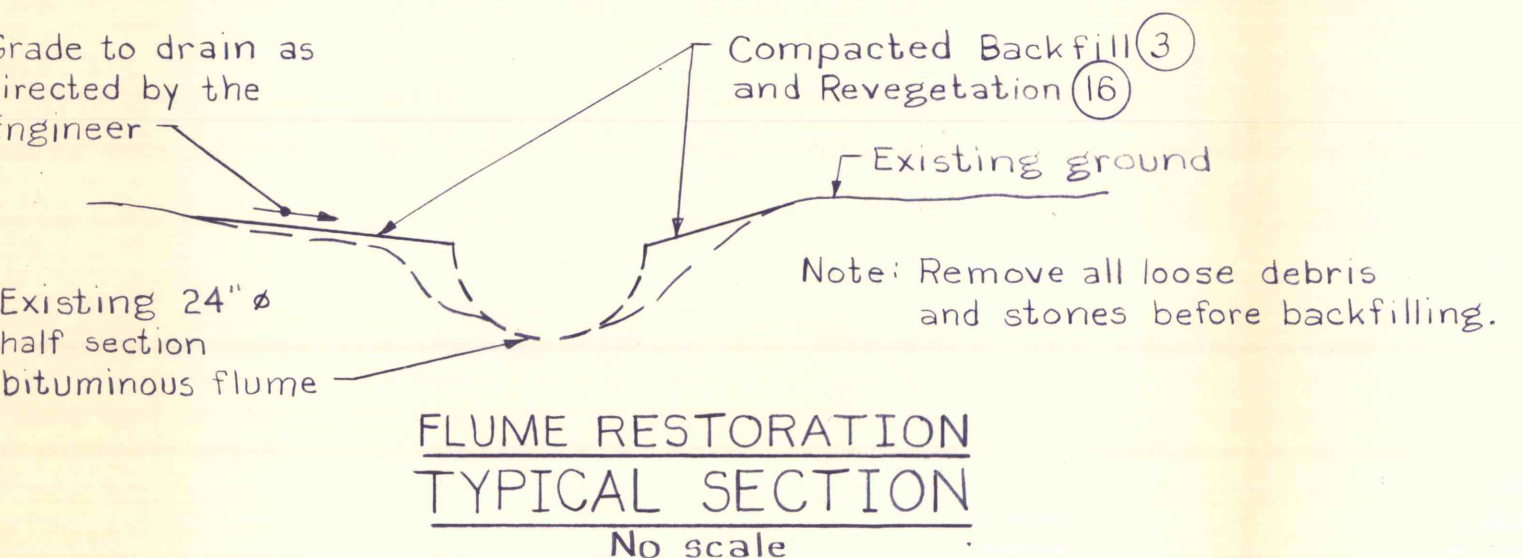


**NOTES:**  
1. For General Notes, see Dwg. No. 2 of 7

**CONCRETE NOTES:**  
1. Chamfer all exposed edges of concrete structures 3/4 inch.  
2. All steel reinforcement is 2" clear (edge of steel to surface of concrete) unless otherwise noted.  
3. All reinforcing steel is #4 @ 12" payment will be made under item No. (11).



NO.	DATE	REVISION	APPR.
SUBMITTED			
APPROVED			
APPROVED			

COMMONWEALTH OF PENNSYLVANIA  
DEPARTMENT OF ENVIRONMENTAL RESOURCES  
OFFICE OF RESOURCES MANAGEMENT

CONTRACT NO. SL 126 - 2 - 7/9F  
MINE DRAINAGE POLLUTION ABATEMENT  
REMEDIAL WORK  
SWATARA CREEK WATERSHED  
FRAILEY AND REILLY TOWNSHIPS SCHUYLKILL CO., PA.

**CHANNEL "F-1"**  
**PLAN, PROFILE AND SECTIONS**

DRAWN BY: M.K.A. DATE: 25 May 78 DRAWING NO: 5 of 7  
CHECKED BY: E.P.R. SCALE: As shown