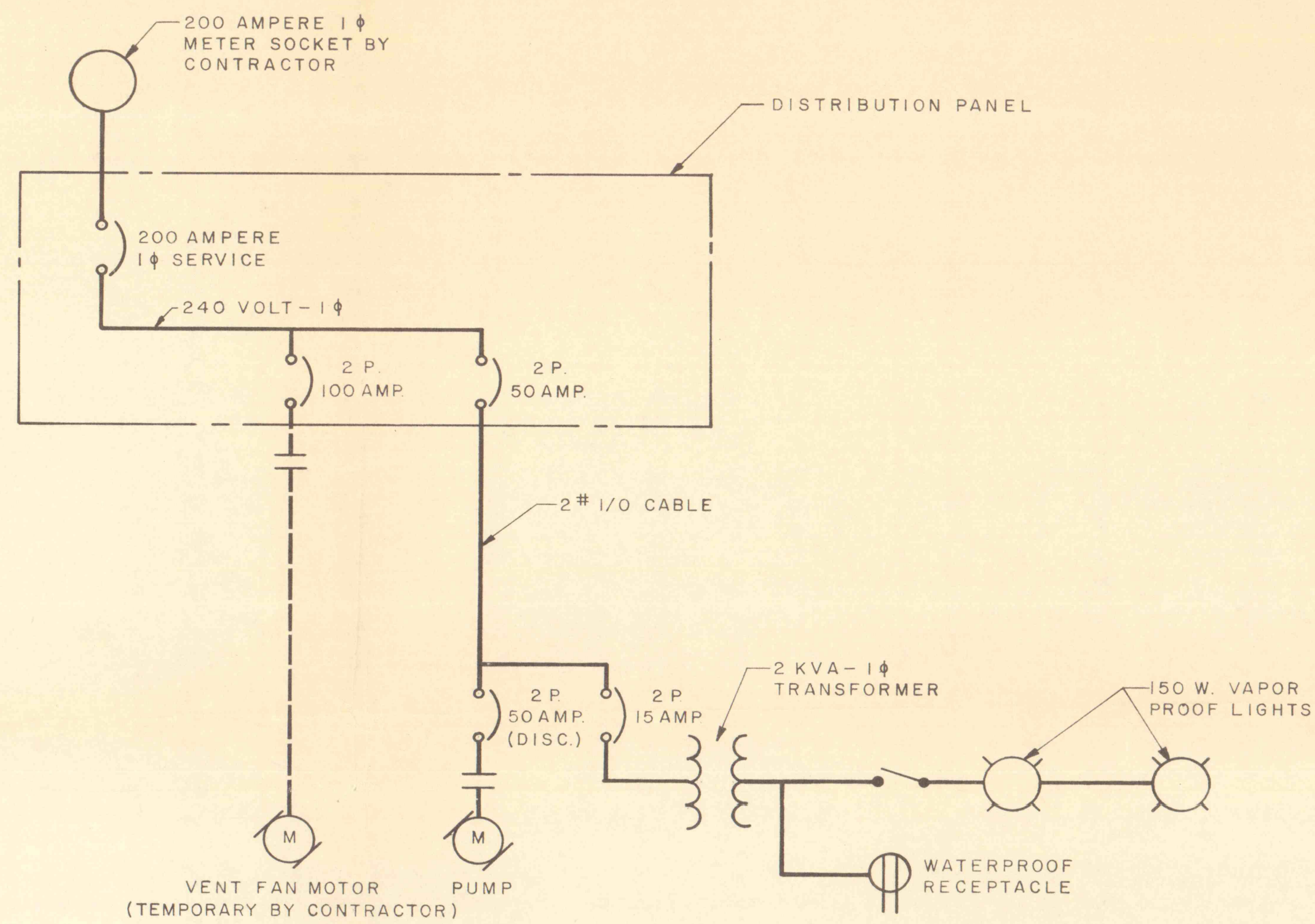
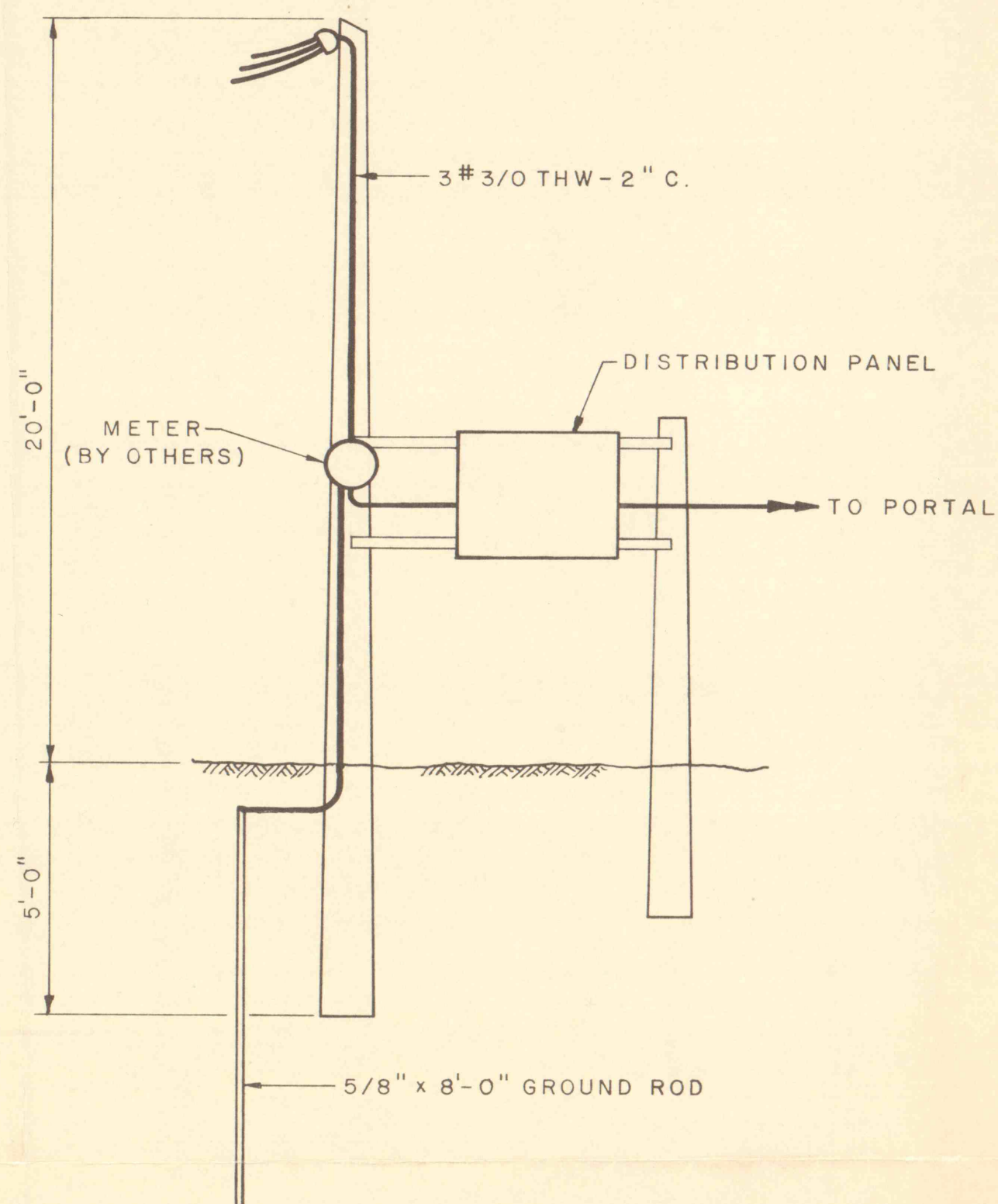


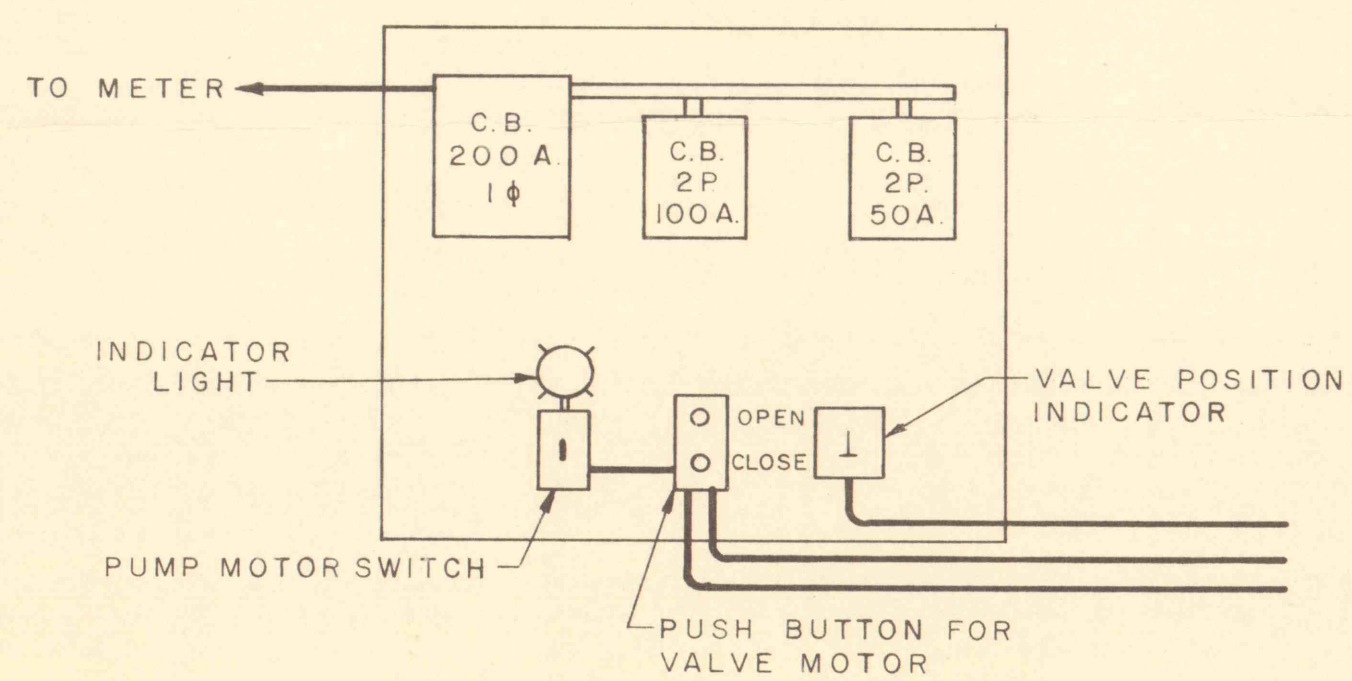
PLAN



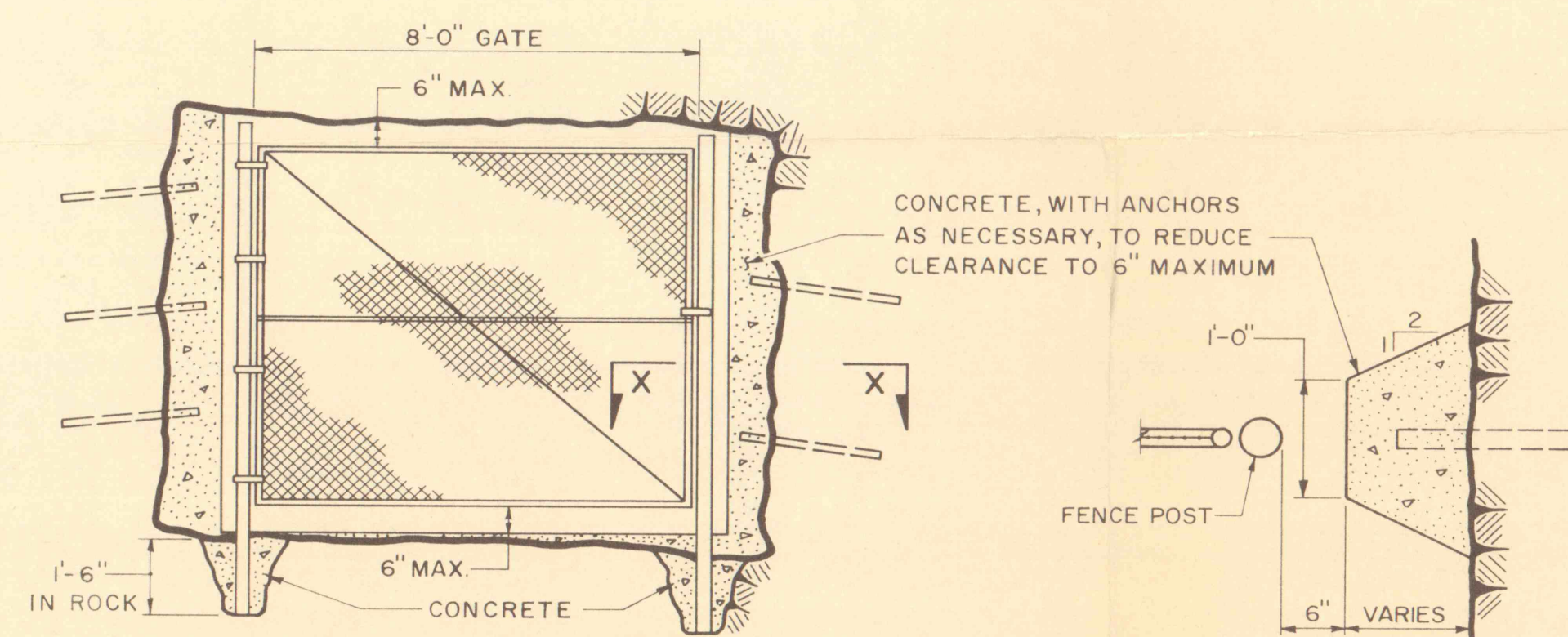
SINGLE LINE DIAGRAM  
POWER-LIGHTING



SERVICE POLE



DISTRIBUTION PANEL



TYPICAL DETAIL  
(3 REQ'D.)

SECTION X-X

**SECURITY FENCE**

NOT TO SCALE

NOTES: ELECTRICAL

1. ALL CONDUIT AND METAL PARTS, EXCEPT STAINLESS STEEL, SHALL BE COATED WITH A VINYL COATING.
2. CABLE AND CONDUIT SHALL BE SUPPORTED BY APPROVED CABLE CLAMPS, MAX. SPACING OF SUPPORTS SHALL BE 5'-0\"/>

REVISIONS			
NO.	DESCRIPTION	DATE	BY

DRAWN	<b>GANNETT FLEMING CORDDRY &amp; CARPENTER, INC.</b> ENGINEERS HARRISBURG, PENNSYLVANIA	JOB NO.	5081	COMMONWEALTH OF PENNSYLVANIA DEPARTMENT OF ENVIRONMENTAL RESOURCES	SHEET NO.
TRACED		SCALE	AS SHOWN	CATAWISSA CREEK MINE DRAINAGE POLLUTION ABATEMENT PROJECT NO. SL-135	4
CHECKED		DATE	ELECTRICAL DETAILS		DRAWING NO.
APPROVED		SECURITY FENCE DETAILS			
APPROVED					