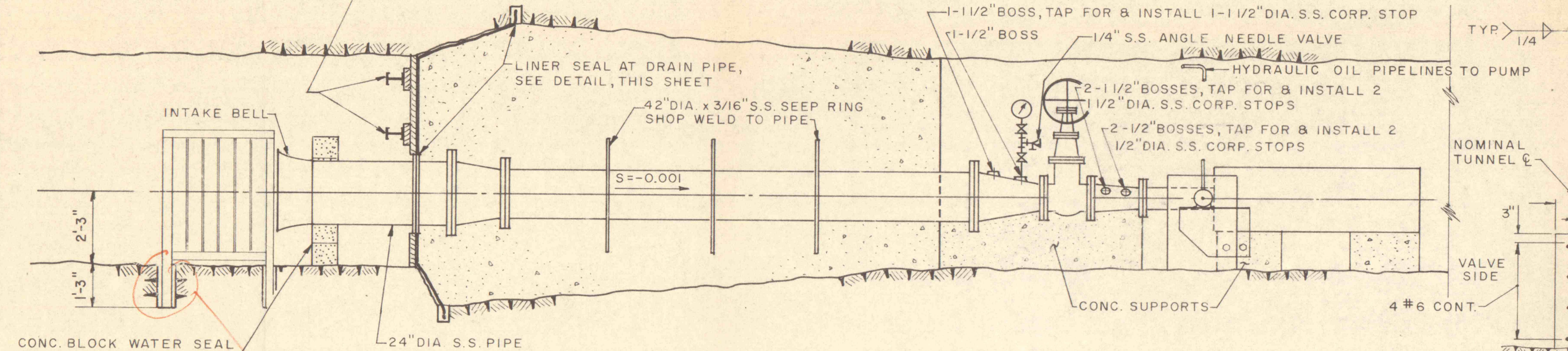
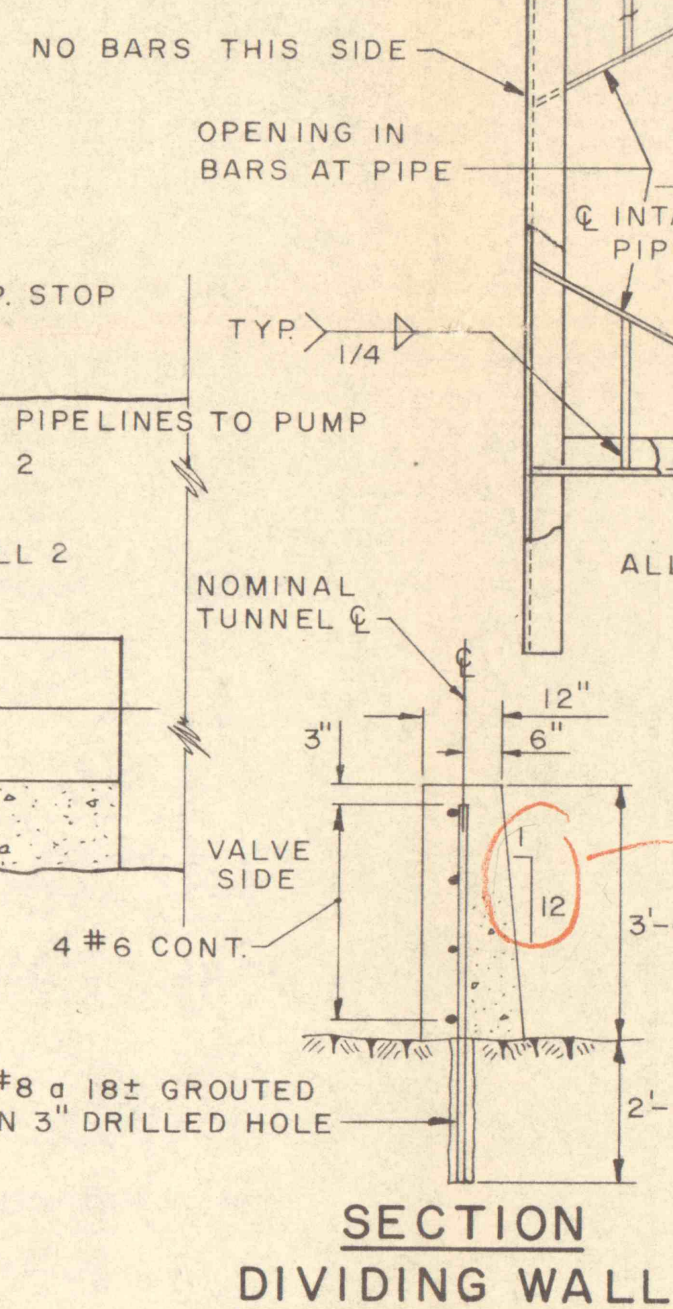


**PLAN-TUNNEL NO. 2**

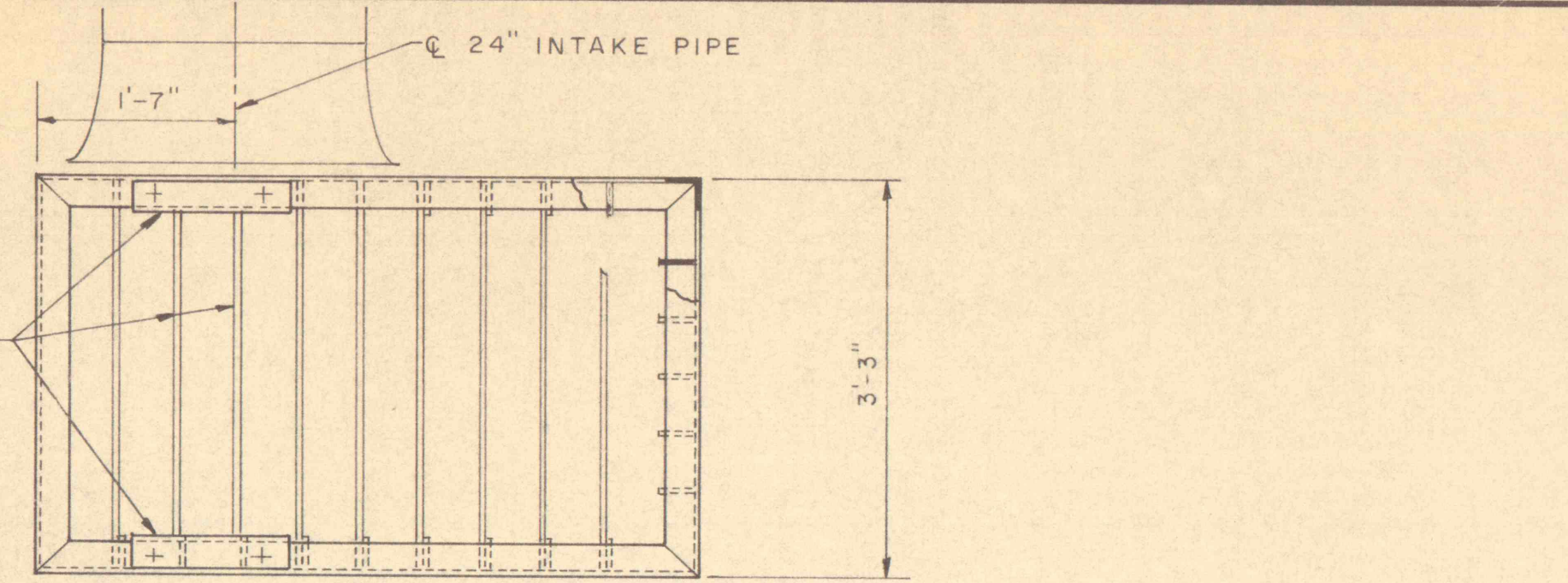
STEEL BEAMS W/NAILERS AS FORM TO BE LEFT IN PLACE. PROVIDE AND SPACE AS REQUIRED FOR ADEQUATE FORM SUPPORT.



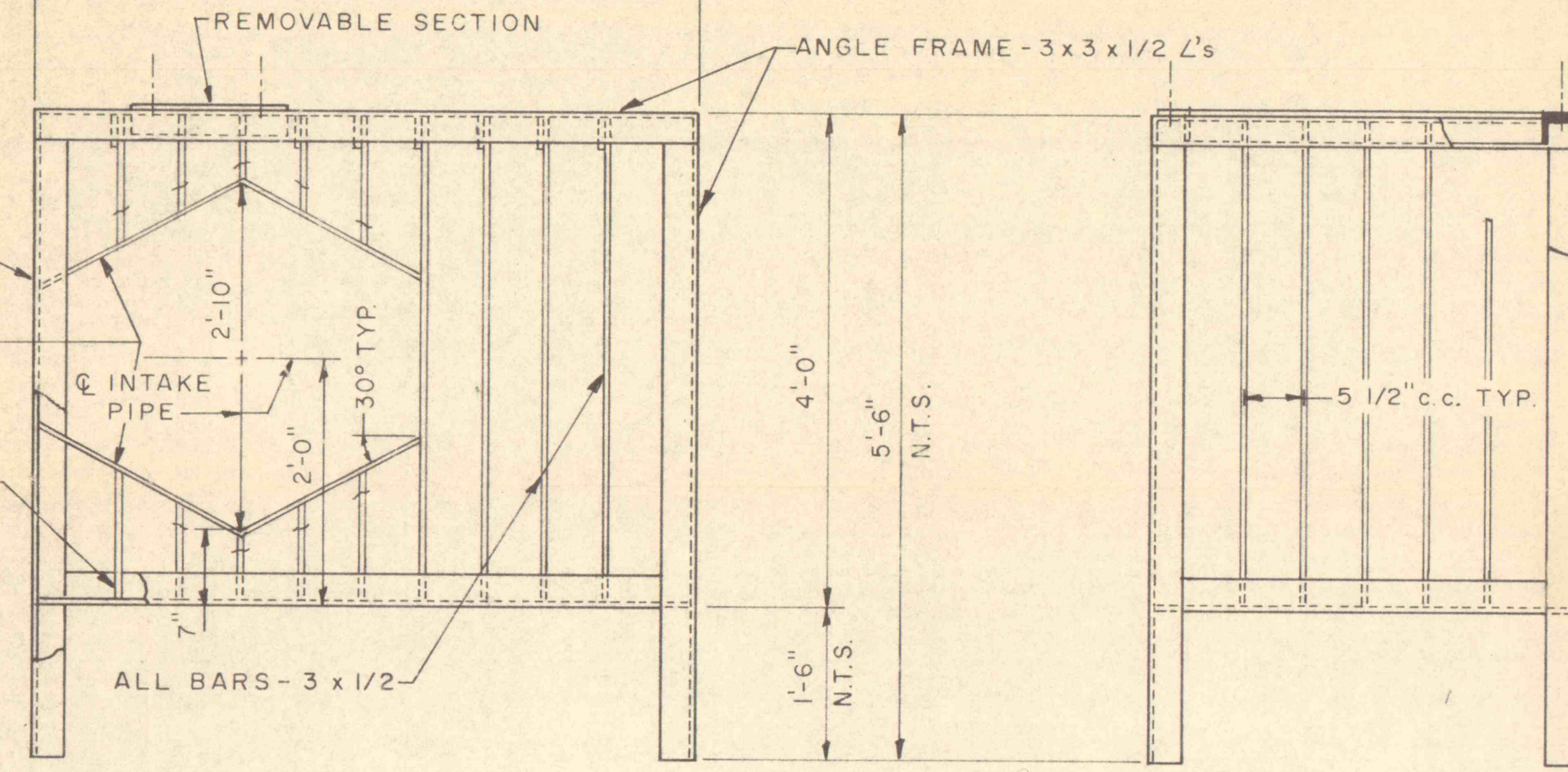
**ELEVATION-TUNNEL NO. 2**



**SECTION DIVIDING WALL**



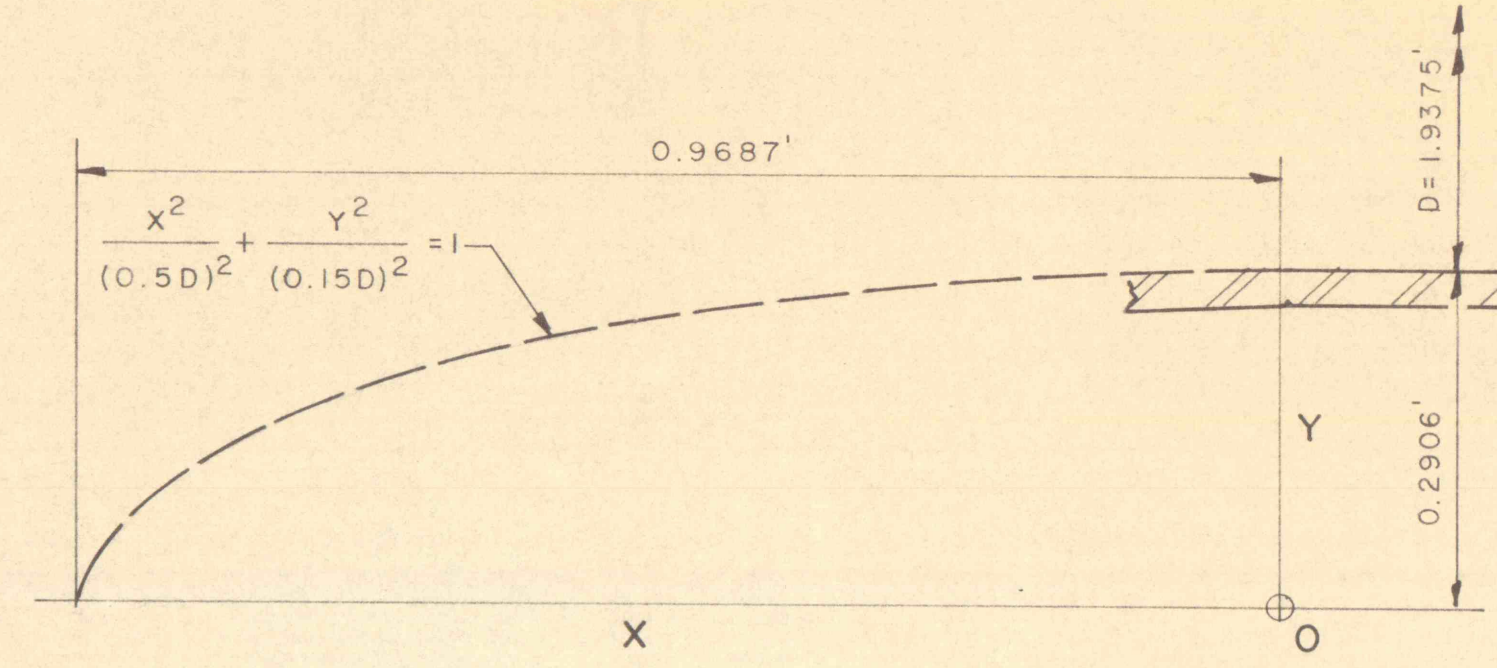
**PLAN**



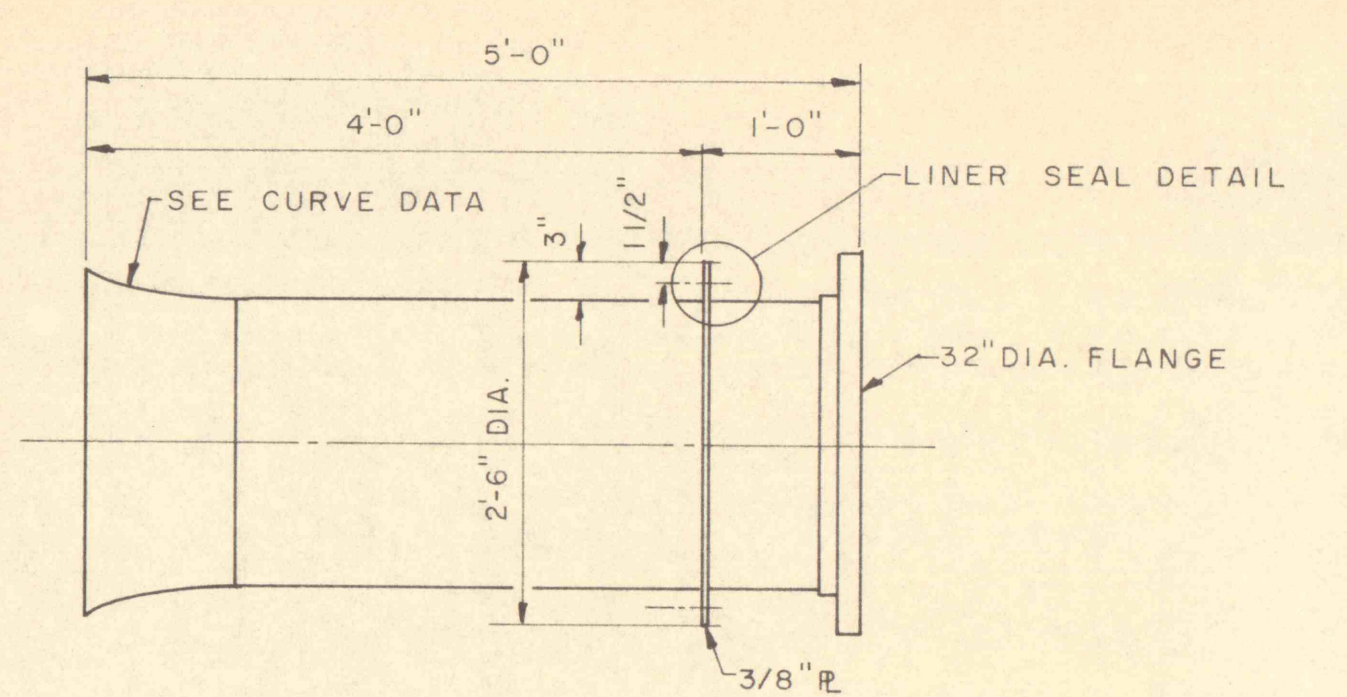
**ELEVATIONS**

**TRASH RACK DETAIL**

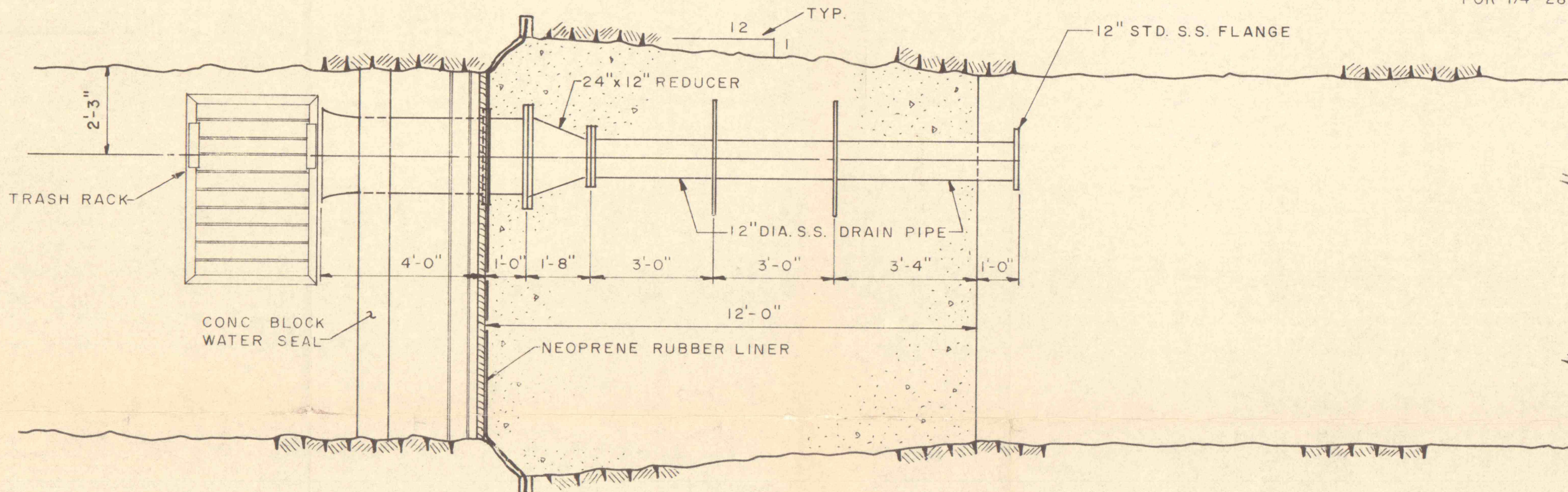
INTAKE CURVE DATA			
X (FT.)	X	Y	Y (FT.)
0.0	0.0 D	0.15 D	0.2906'
0.2421'	0.125 D	0.1452 D	0.2813'
0.4843'	0.250 D	0.1299 D	0.2517'
0.7266'	0.375 D	0.0992 D	0.1922'
0.9687'	0.50 D	0.0 D	0.0



**INTAKE BELL DETAILS**

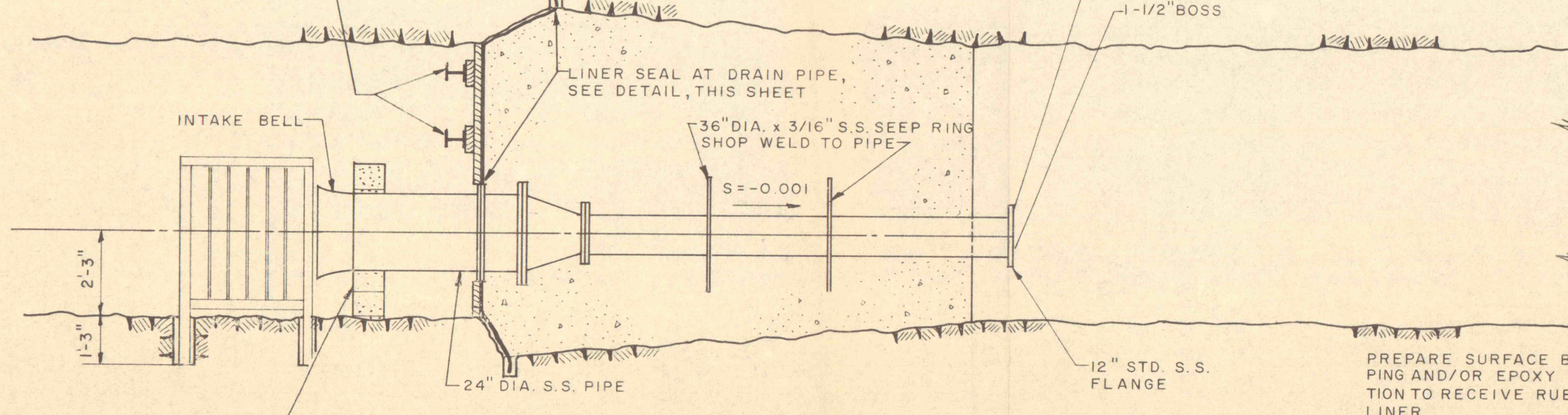


**INTAKE PIPE**

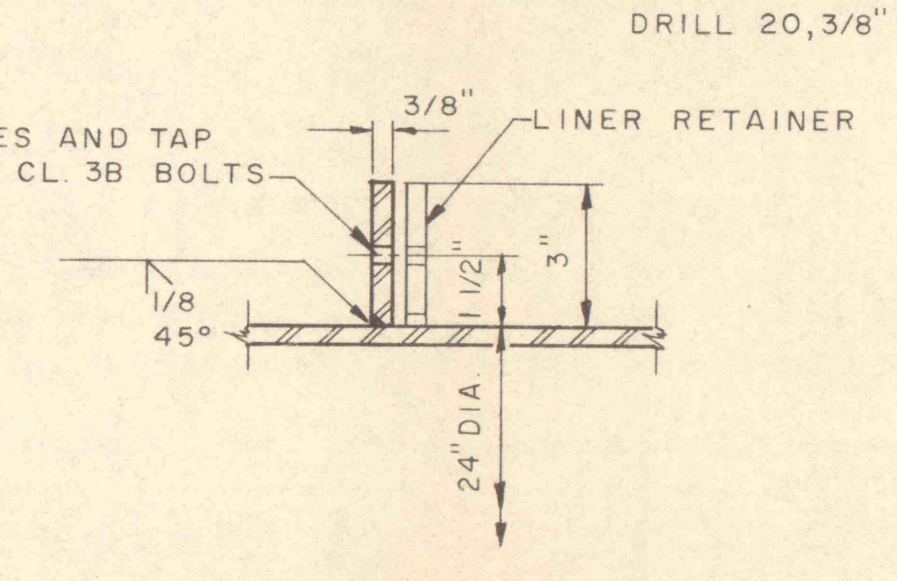


**PLAN-TUNNEL NO. 3**

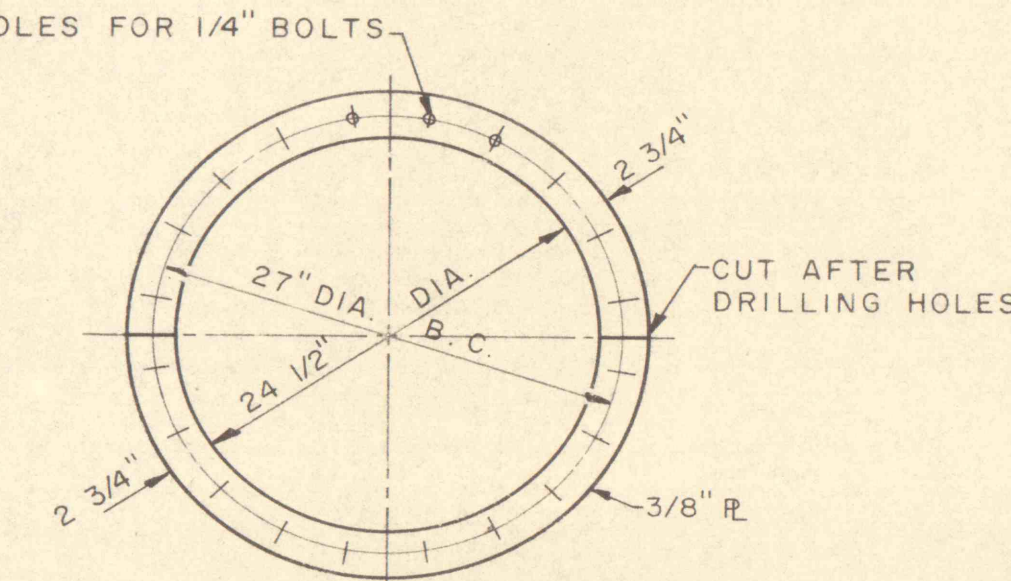
STEEL BEAMS W/NAILERS AS FORM TO BE LEFT IN PLACE. PROVIDE AND SPACE AS REQUIRED FOR ADEQUATE FORM SUPPORT.



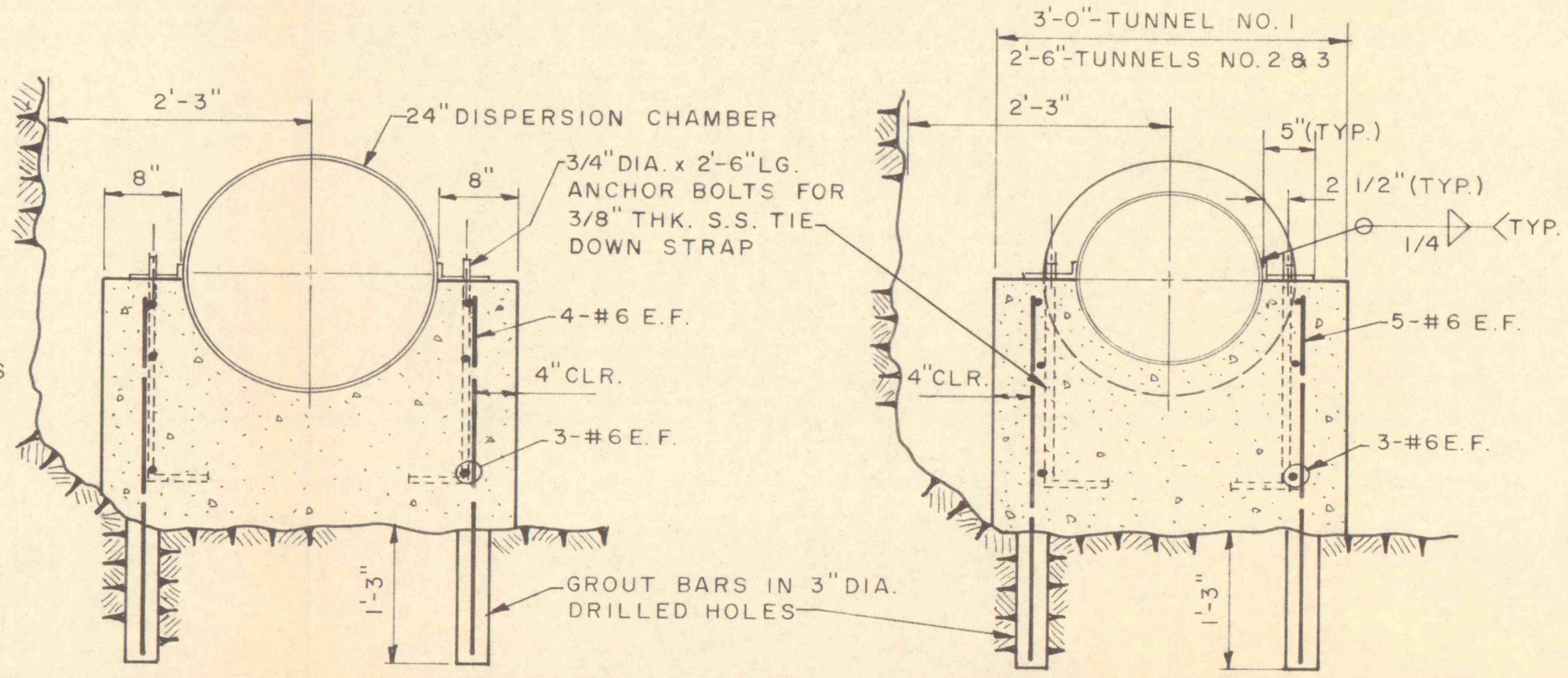
**ELEVATION-TUNNEL NO. 3**



**LINER SEAL DETAIL**



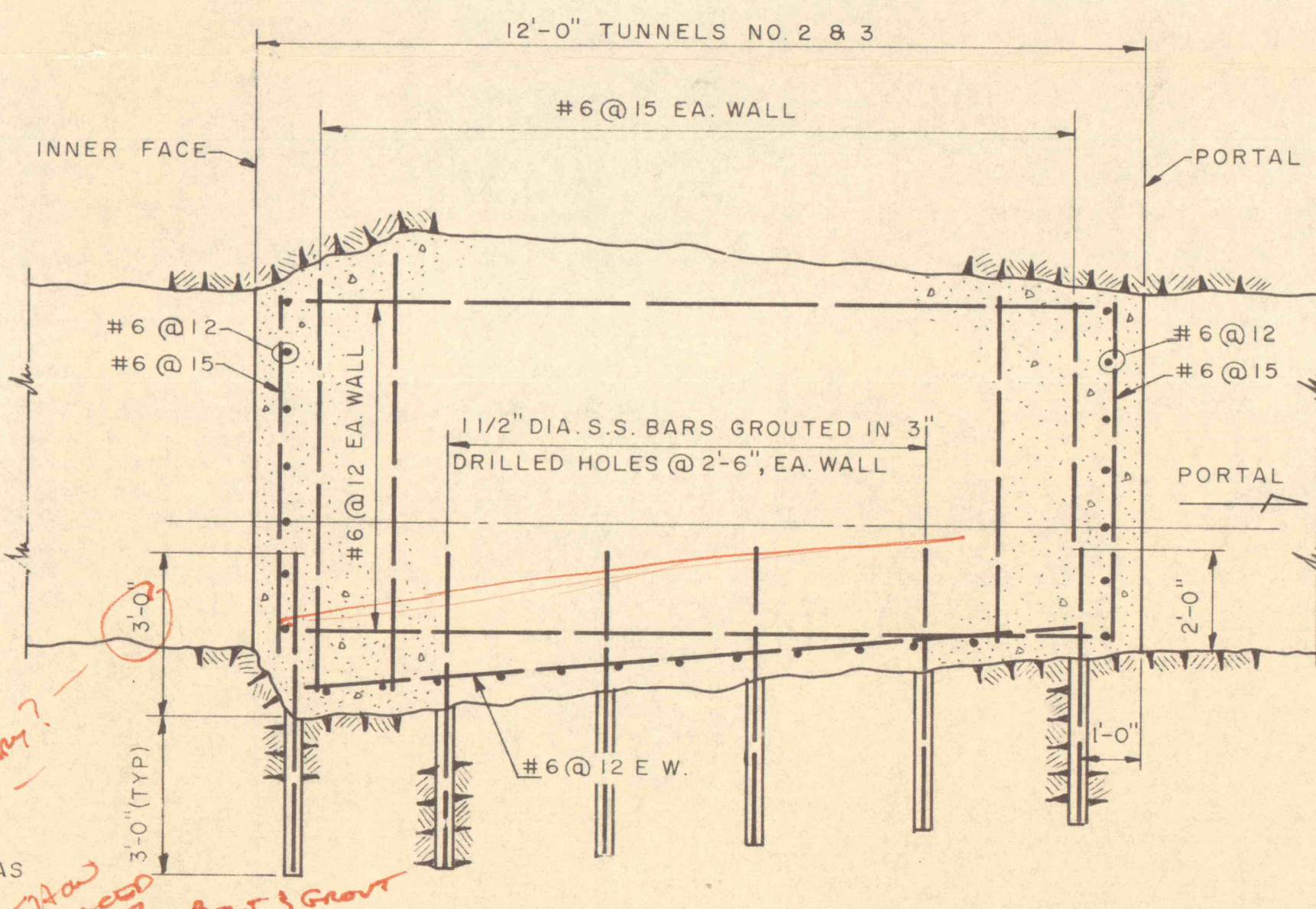
**LINER RETAINER**



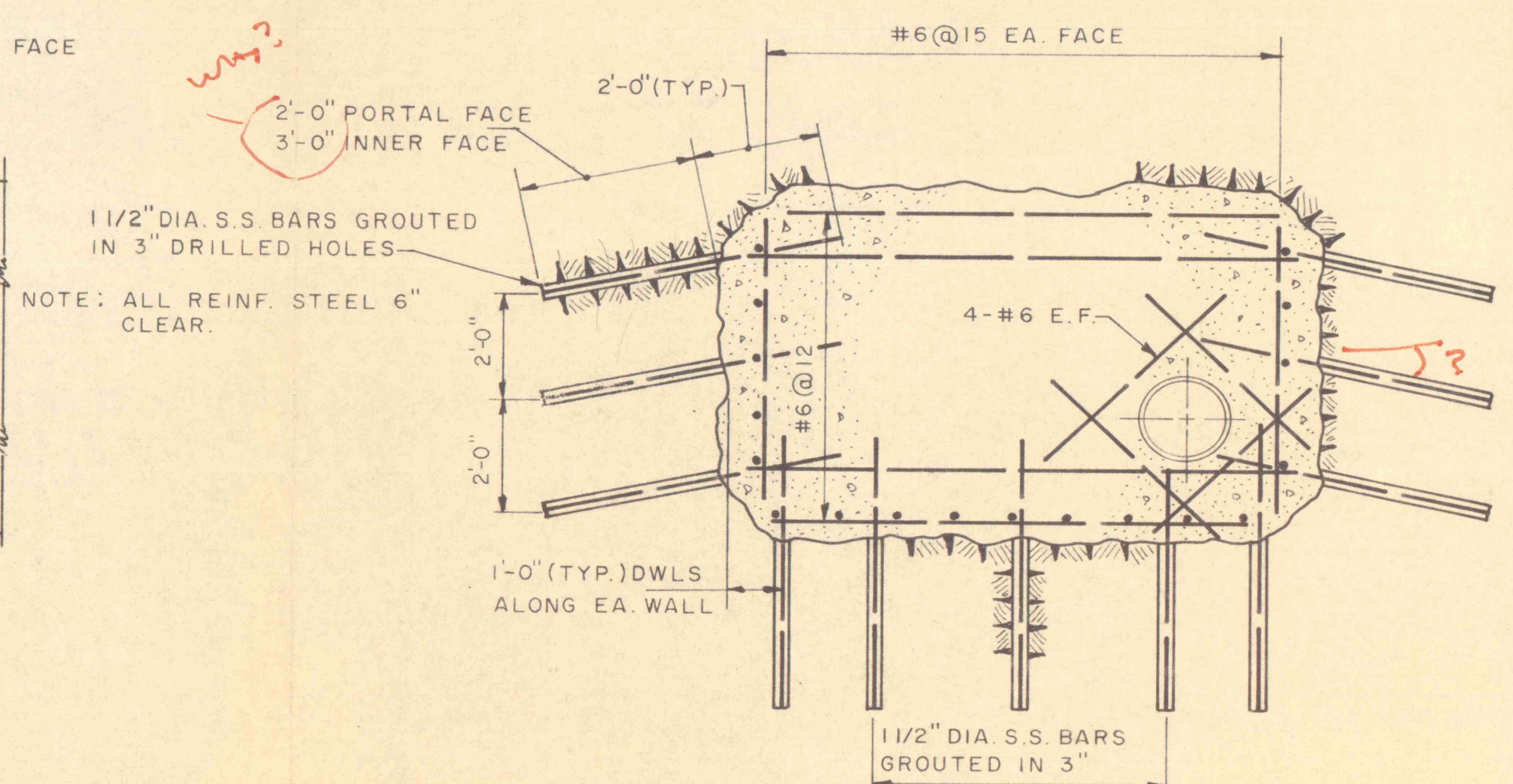
**DISPERSION CHAMBER**

**PIPE AND VALVE**

**PIPE SUPPORTS**

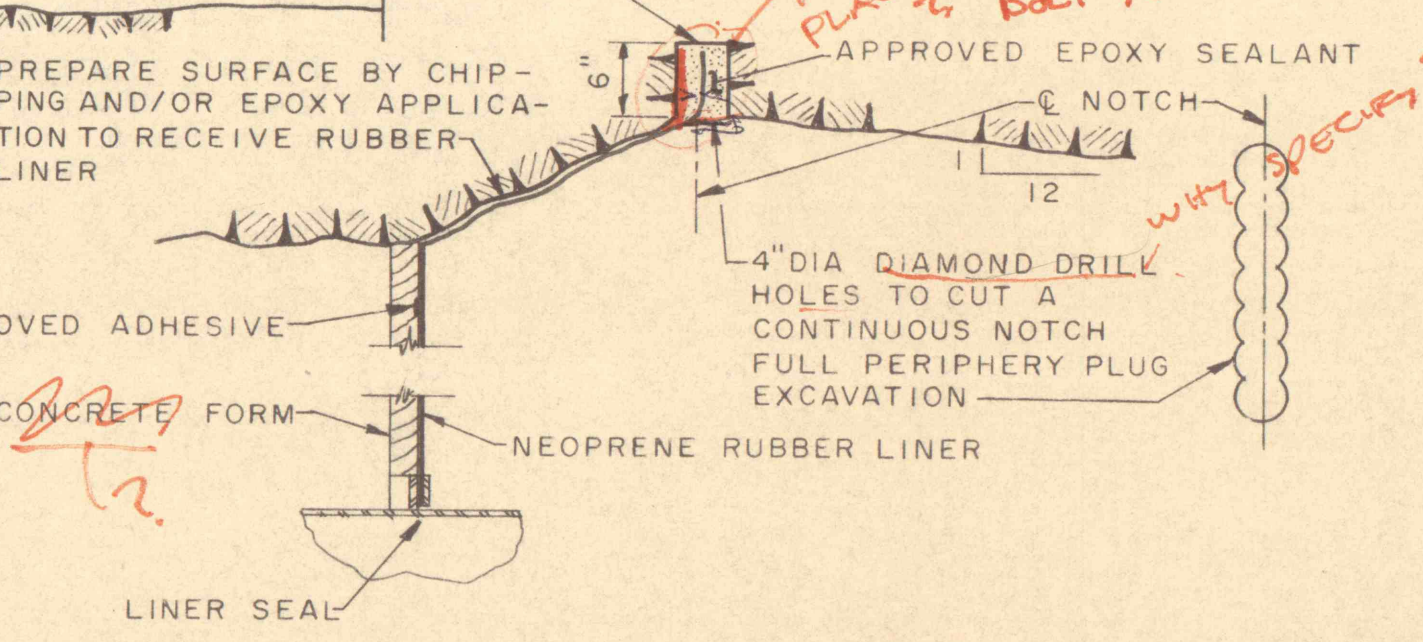


**ELEVATION**



**SECTION**

**REINFORCING DETAILS**



**LINER SEAL DETAIL-AT WALL**

DRAWN TRACED CHECKED APPROVED APPROVED	<b>GANNETT FLEMING CORDDRY &amp; CARPENTER, INC.</b> ENGINEERS HARRISBURG, PENNSYLVANIA	JOB NO. <b>5081</b>	COMMONWEALTH OF PENNSYLVANIA DEPARTMENT OF ENVIRONMENTAL RESOURCES	SHEET NO. <b>3</b>
		SCALE NO SCALE	CATAWISSA CREEK MINE DRAINAGE POLLUTION ABATEMENT PROJECT NO. SL-135	DRAWING NO.
		DATE	<b>CONSTRUCTION DETAILS</b>	