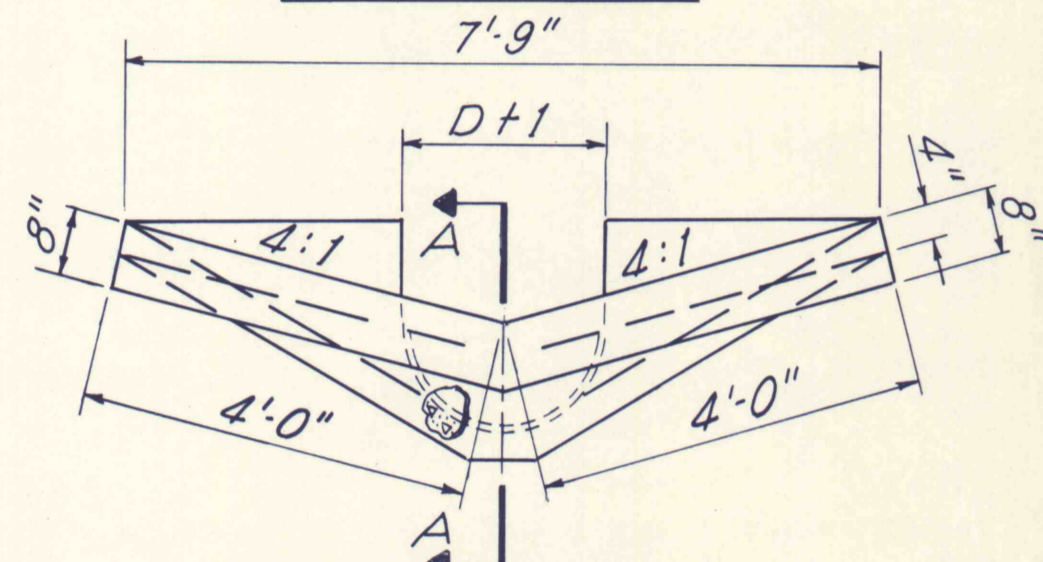
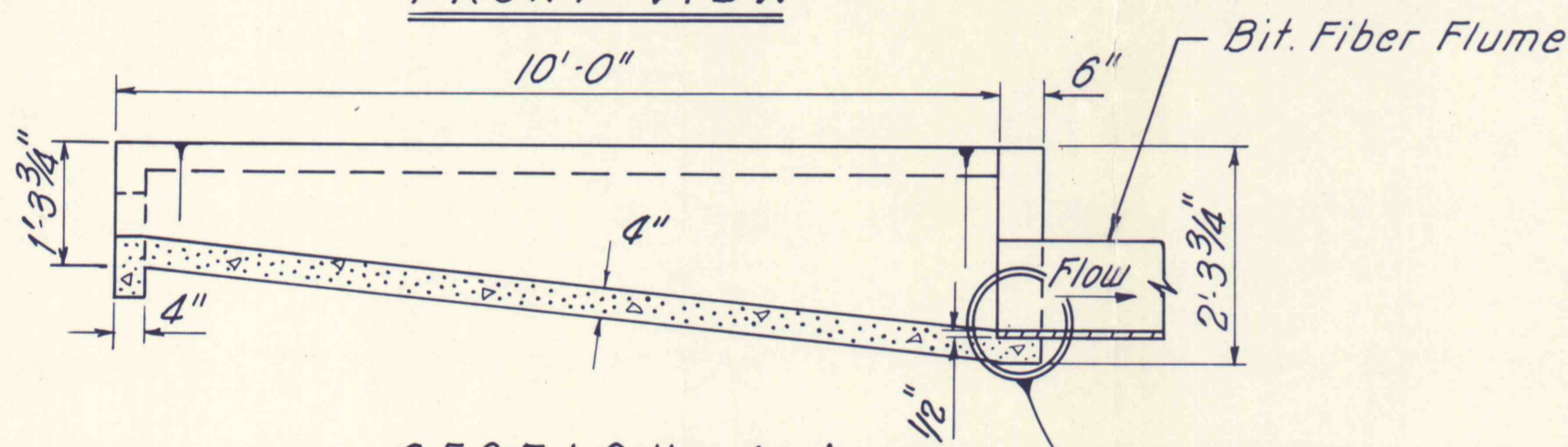


PLAN VIEW



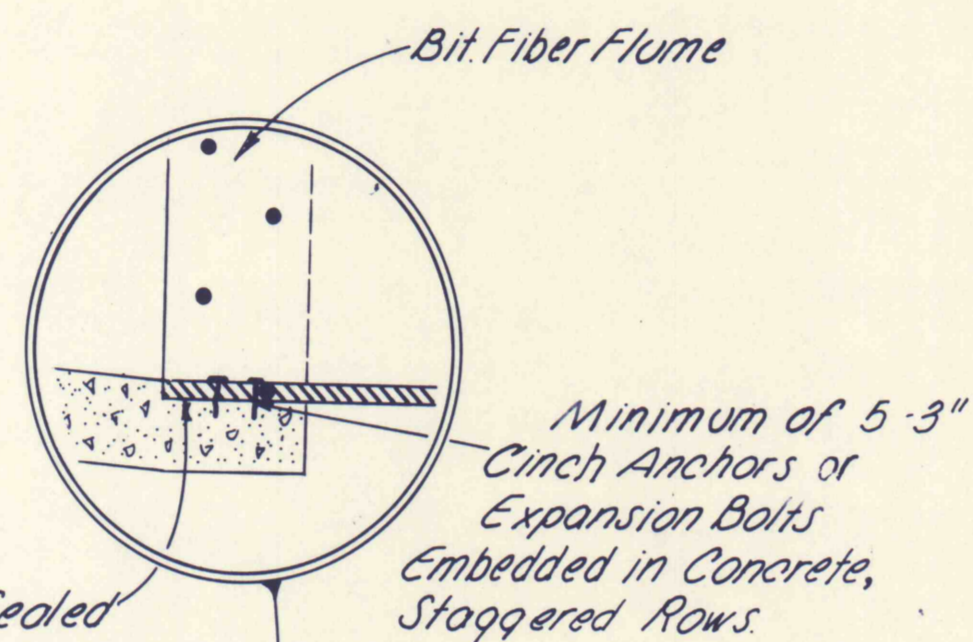
FRONT VIEW



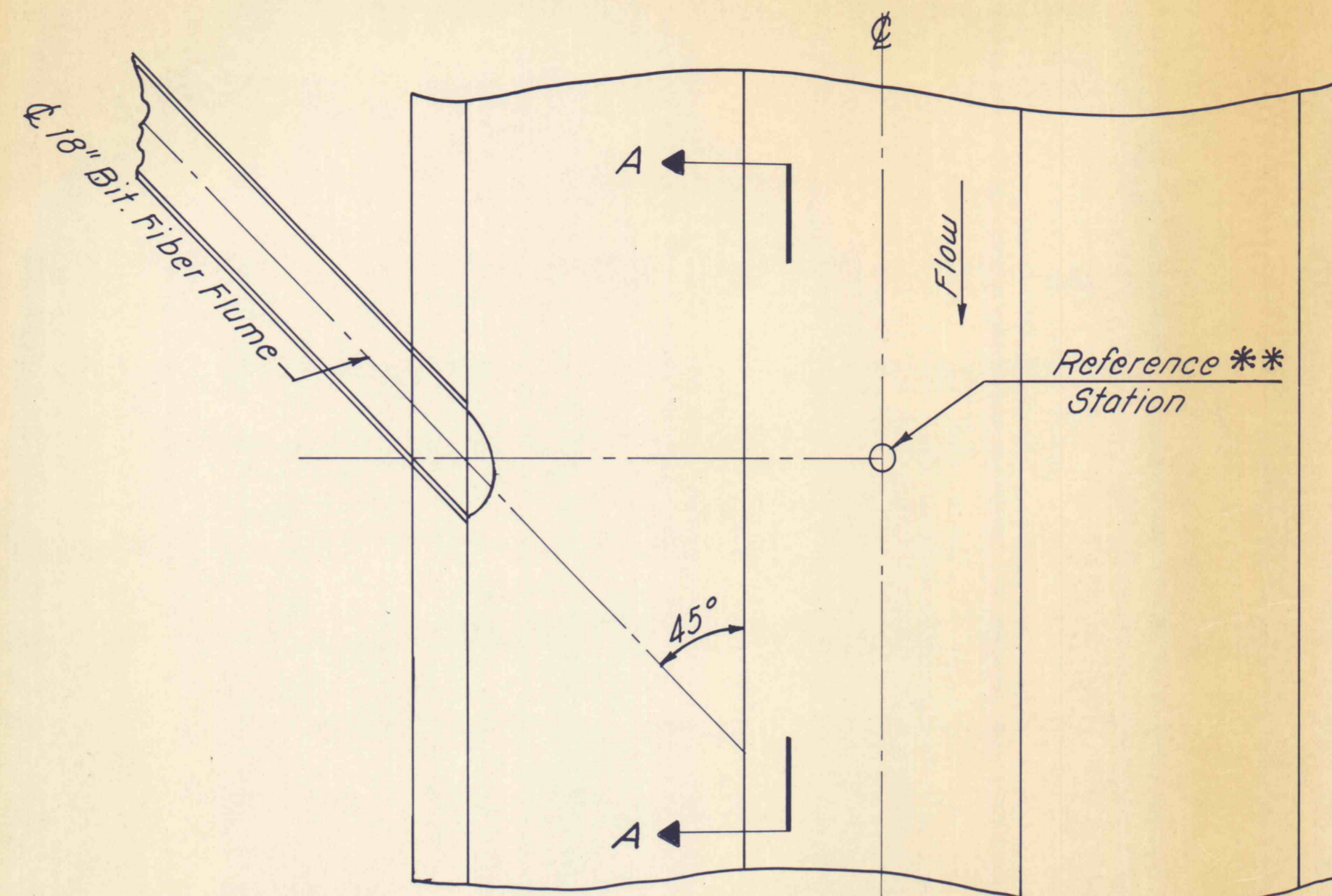
SECTION A-A

CONCRETE PAVED SWALE FLUME ENTRANCE

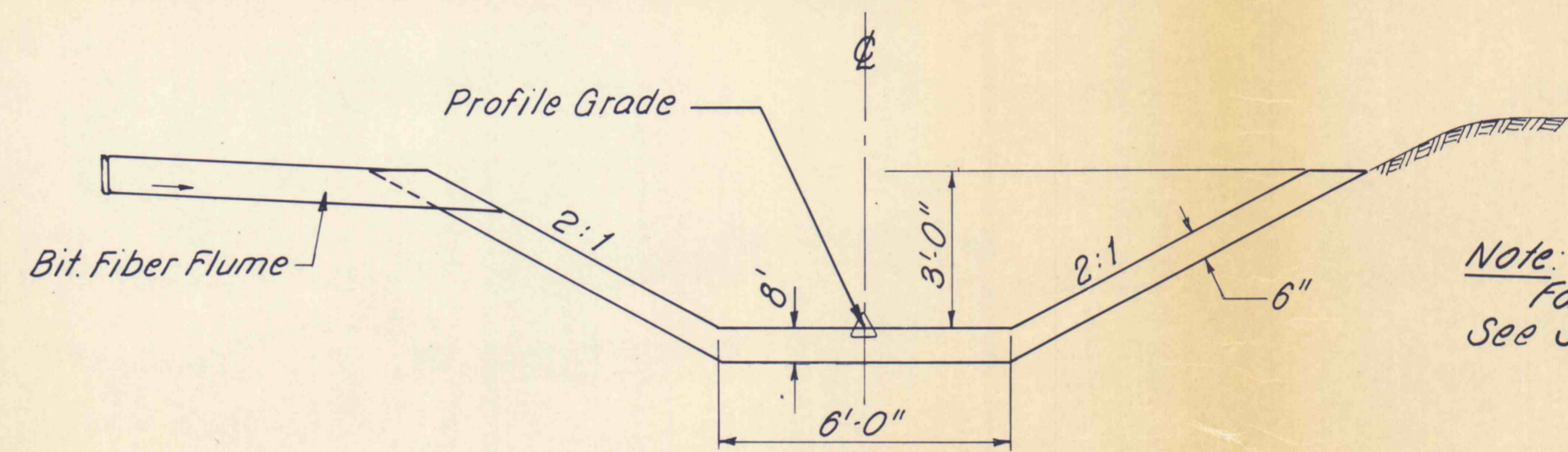
Scale : 1" = 1/2'



DETAIL
No Scale



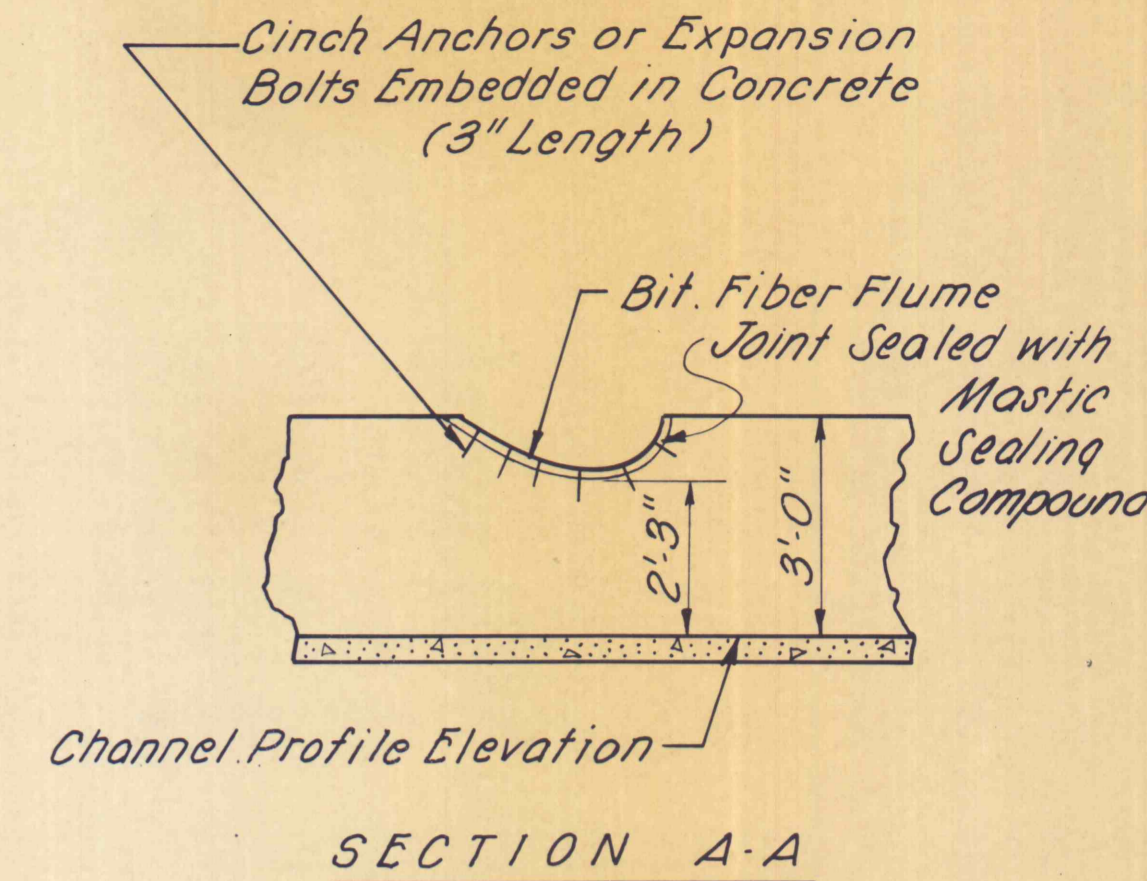
PLAN VIEW



FRONT VIEW

DETAIL FOR BITUMINOUS FIBER FLUME CONNECTION TO REINFORCED CONCRETE FLUME

Not to Scale



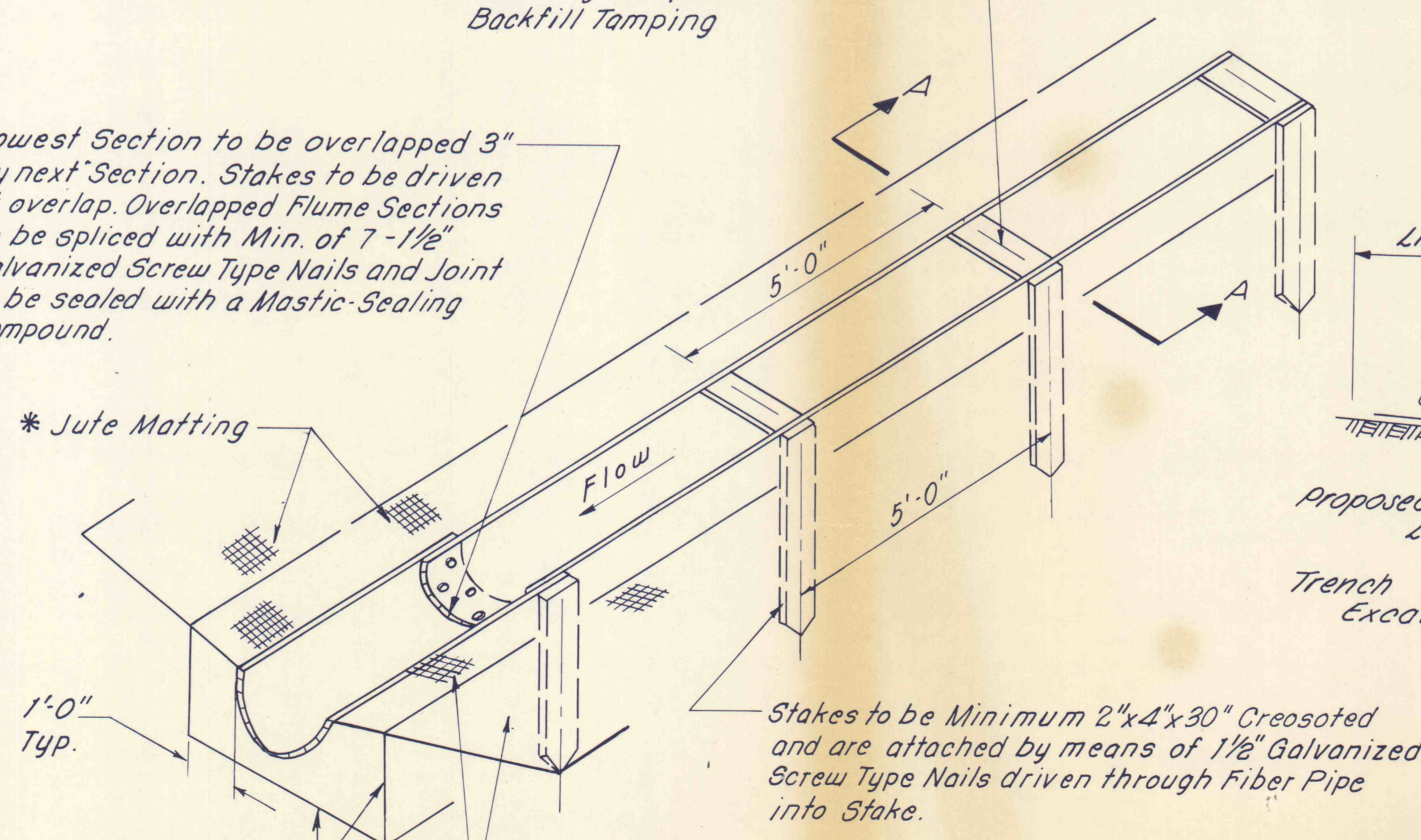
SECTION A-A

** NOTE: Bituminous Fiber Flumes are Located at Reference Stations 25+75 Left and 29+15 Left.

Note: For Reinforcing Details See Sheet No. 10.

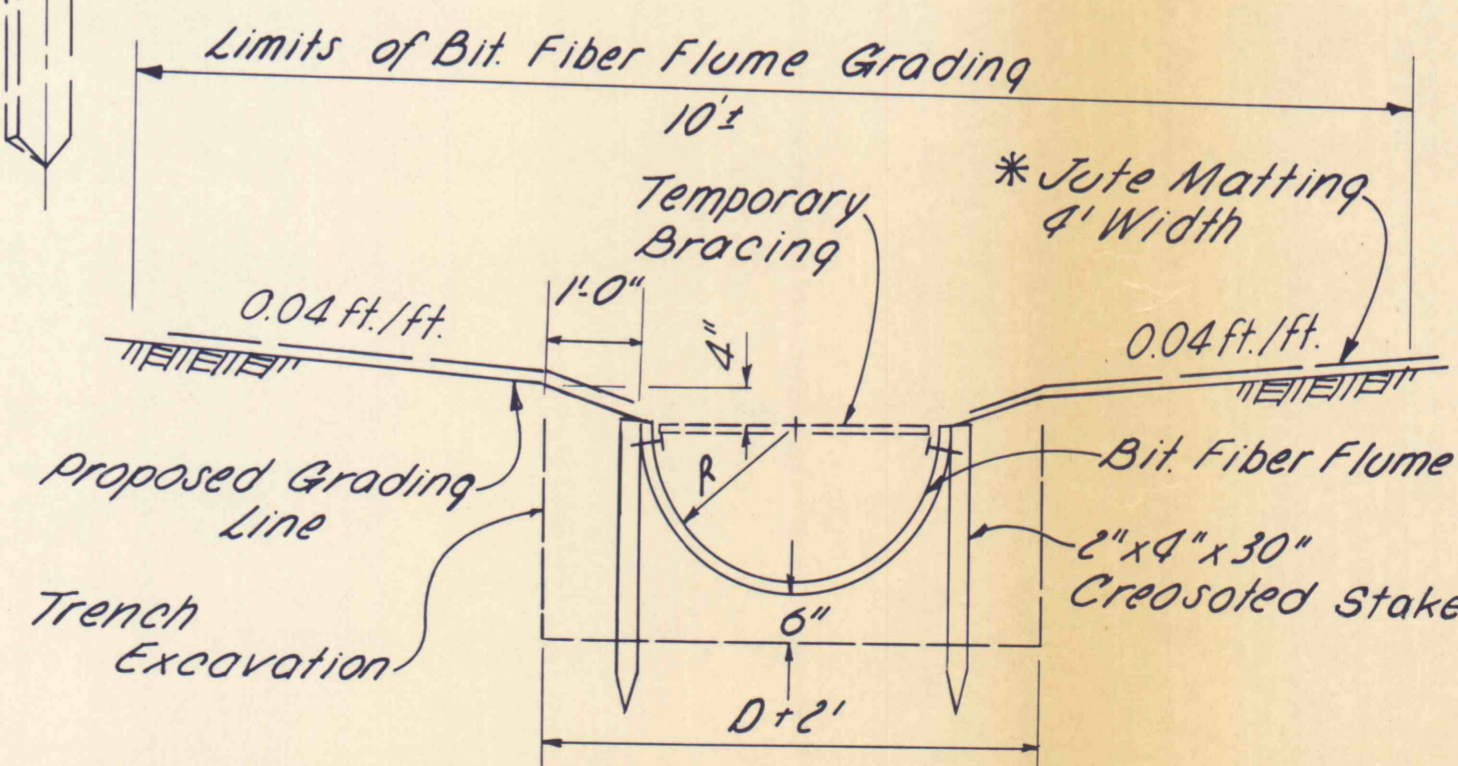
Temporary Bracing to be removed following completion of Backfill Tamping

Lowest Section to be overlapped 3" by next Section. Stakes to be driven at overlap. Overlapped Flume Sections to be spliced with Min. of 7-1/2" Galvanized Screw Type Nails and Joint to be sealed with a Mastic-Sealing Compound.



INSTALLATION OF HALF SECTION BITUMINIZED FIBER FLUME

Not to Scale

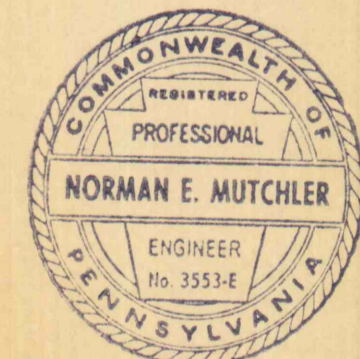


SECTION A-A

* NOTE: For Jute Matting Installation Requirements, See Technical Specifications.

NO	DATE	REVISION	APPR.

SUBMITTED
Norman E. Mutchler
PROFESSIONAL
APPROVED
Robert A. Parnis
CHIEF - DIVISION OF MINE RECLAMATION
APPROVED
D. Bergego
DIRECTOR - BUREAU OF DESIGN



COMMONWEALTH OF PENNSYLVANIA
DEPARTMENT OF ENVIRONMENTAL RESOURCES
OFFICE OF RESOURCES MANAGEMENT

PROJECT NO. SL 126-2-9

MINE DRAINAGE
POLLUTION ABATEMENT
MARTINS RUN
SWATARA CREEK WATERSHED
SCHUYLKILL COUNTY

BERGER ASSOCIATES, INC.
Consulting Engineers

P.O. Box 1943 Harrisburg, Penna.

BITUMINOUS FIBER FLUME DETAILS

DRAWN BY J S	DATE JULY 8, 1974	DRAWING NO. 11 OF 11
CHECKED BY M W	SCALE AS SHOWN	