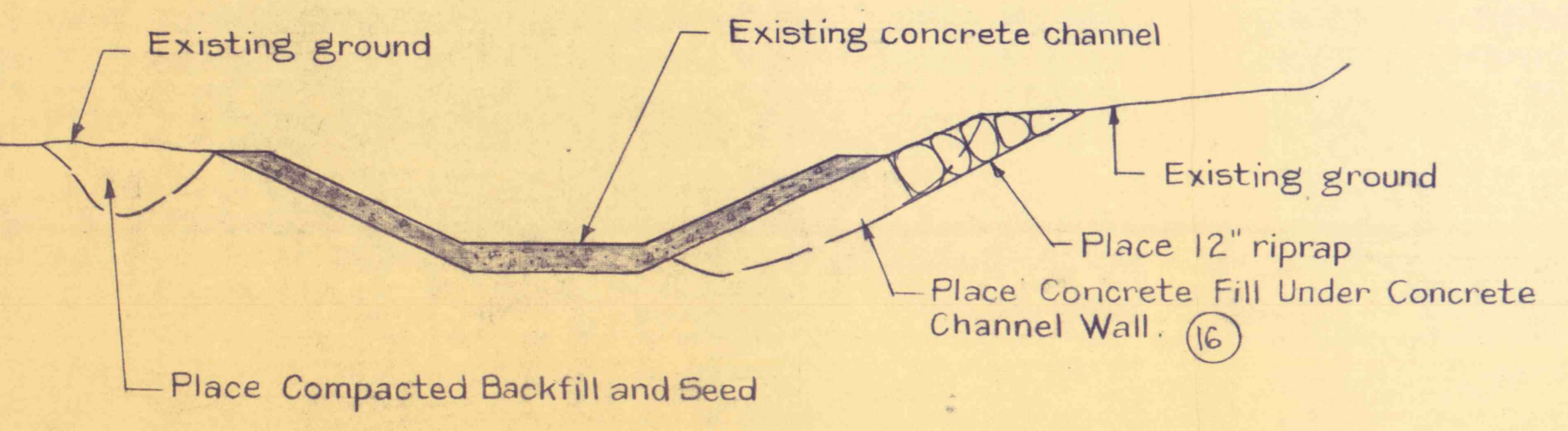
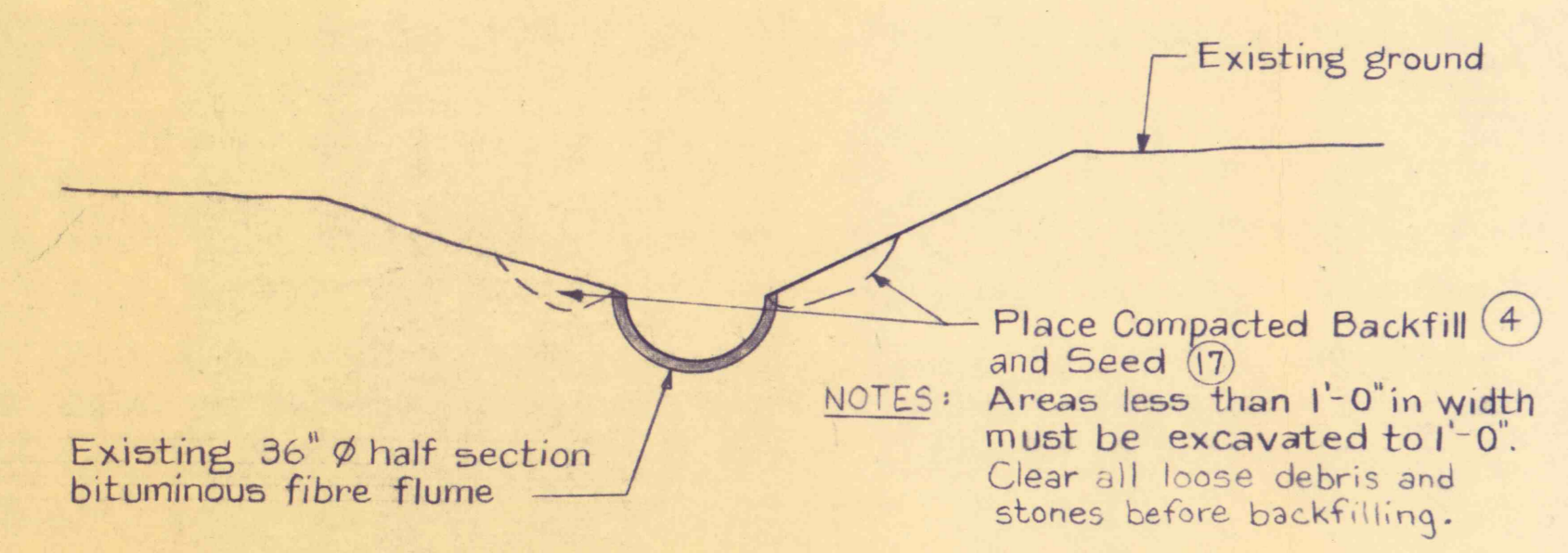
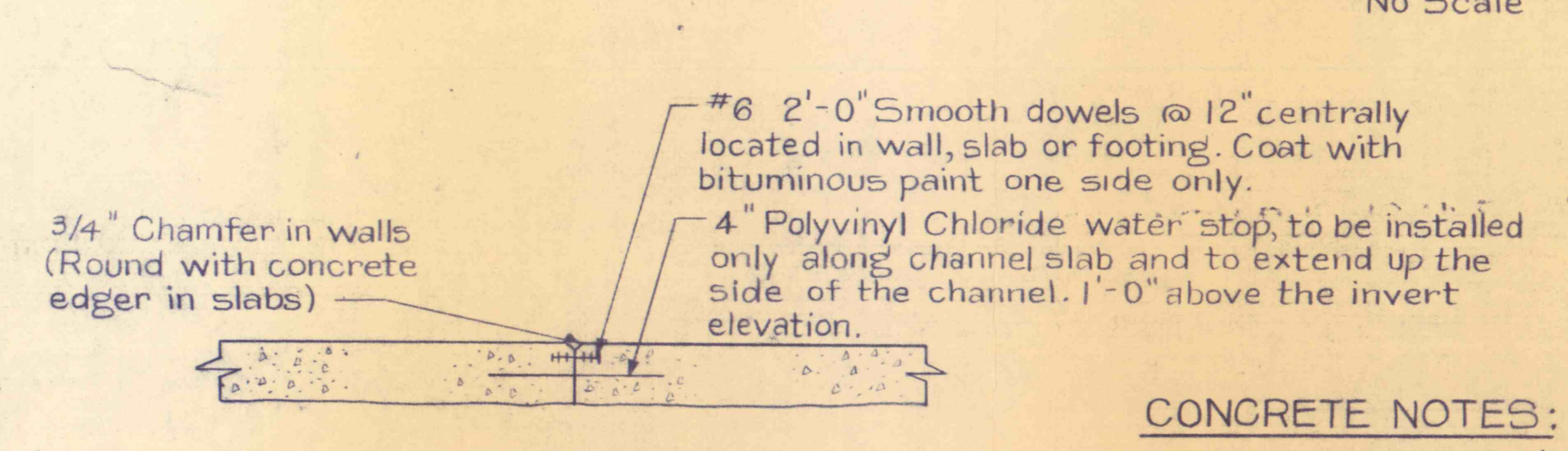
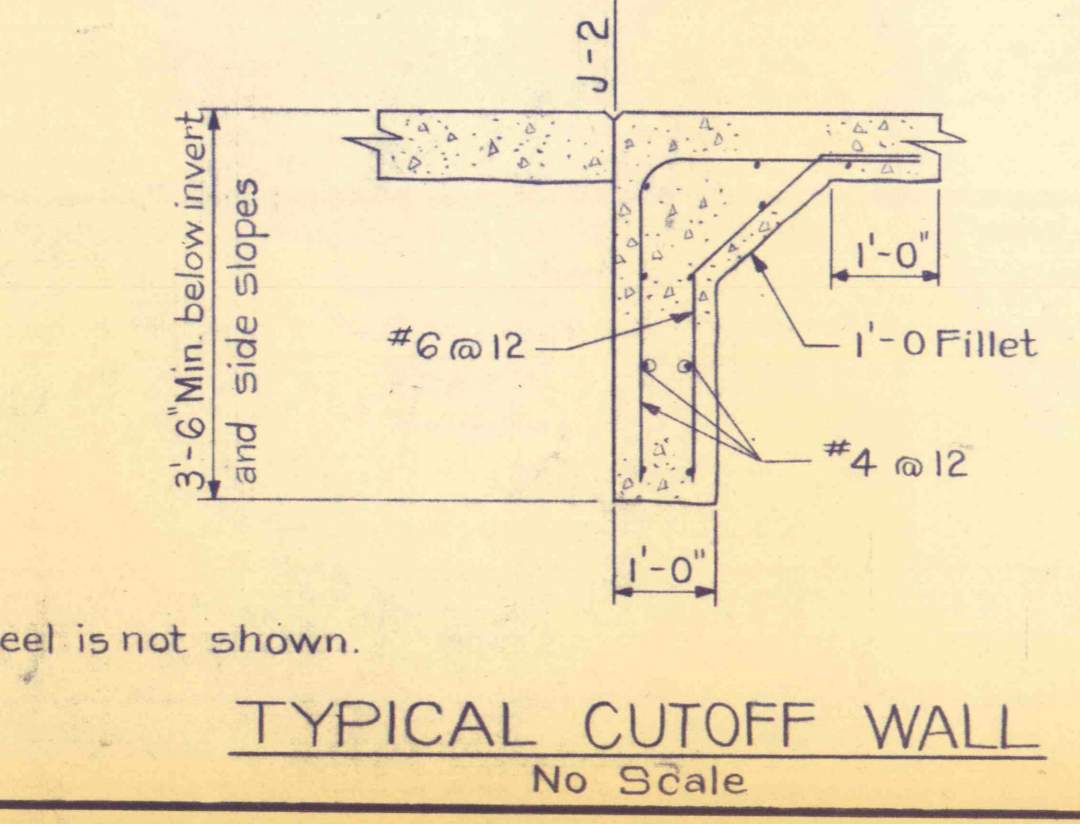
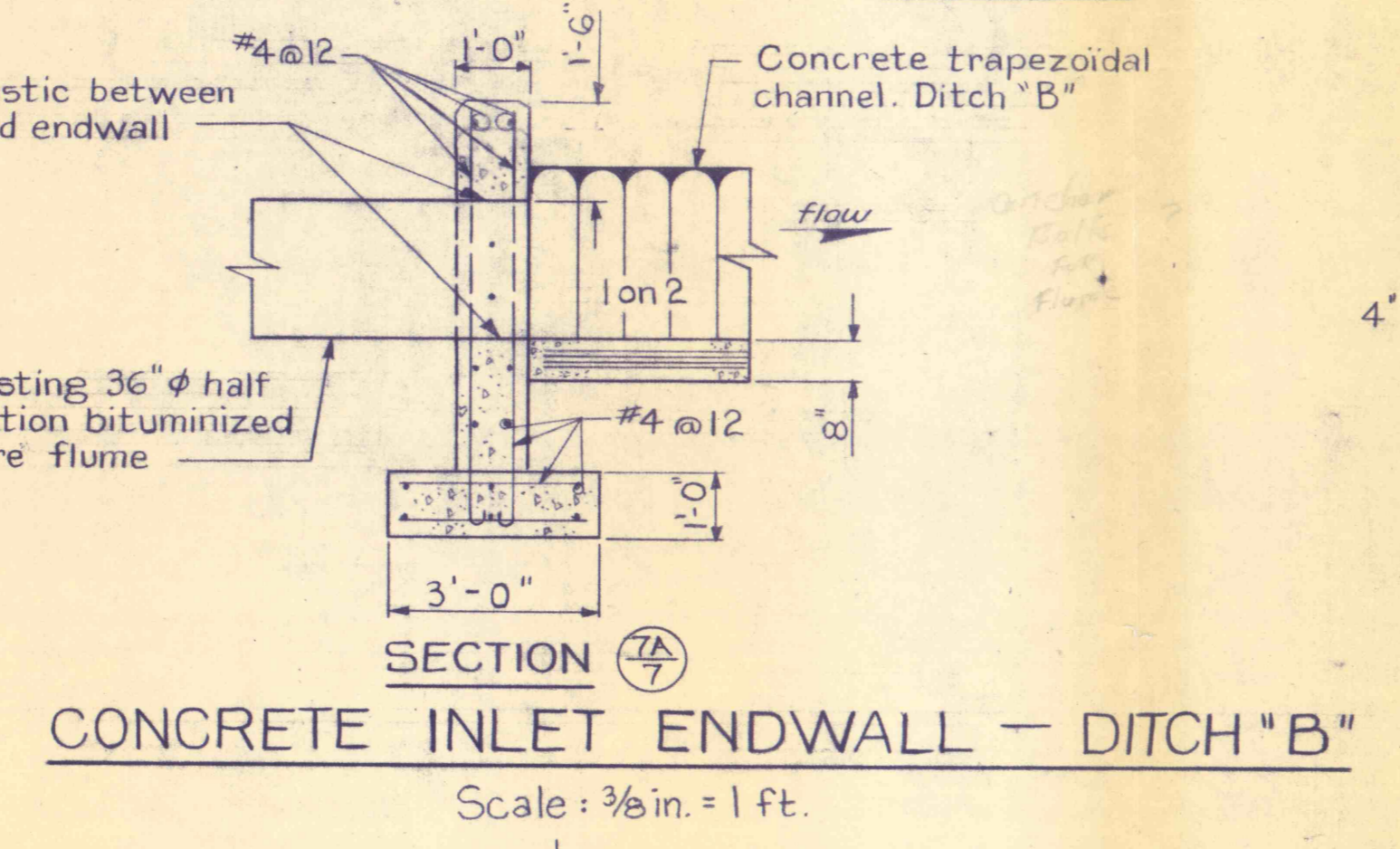
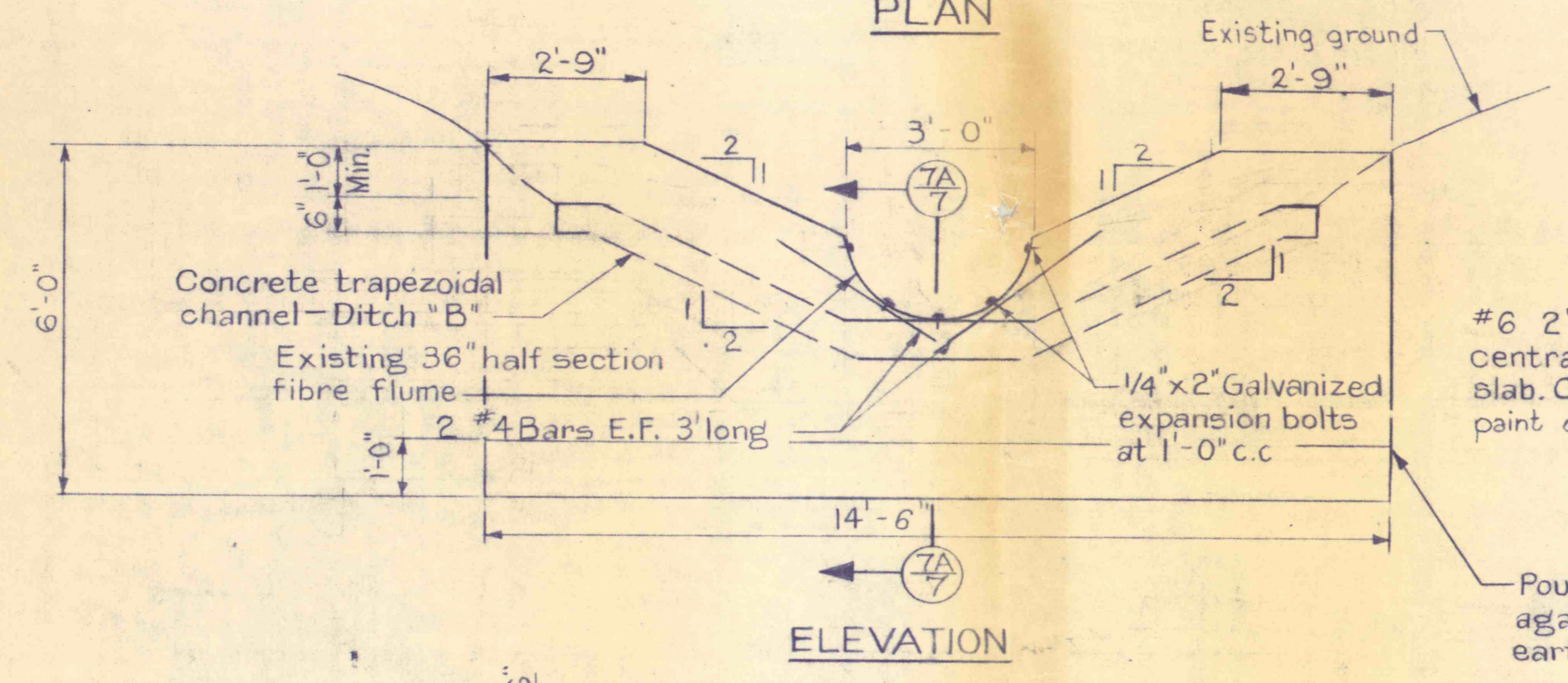
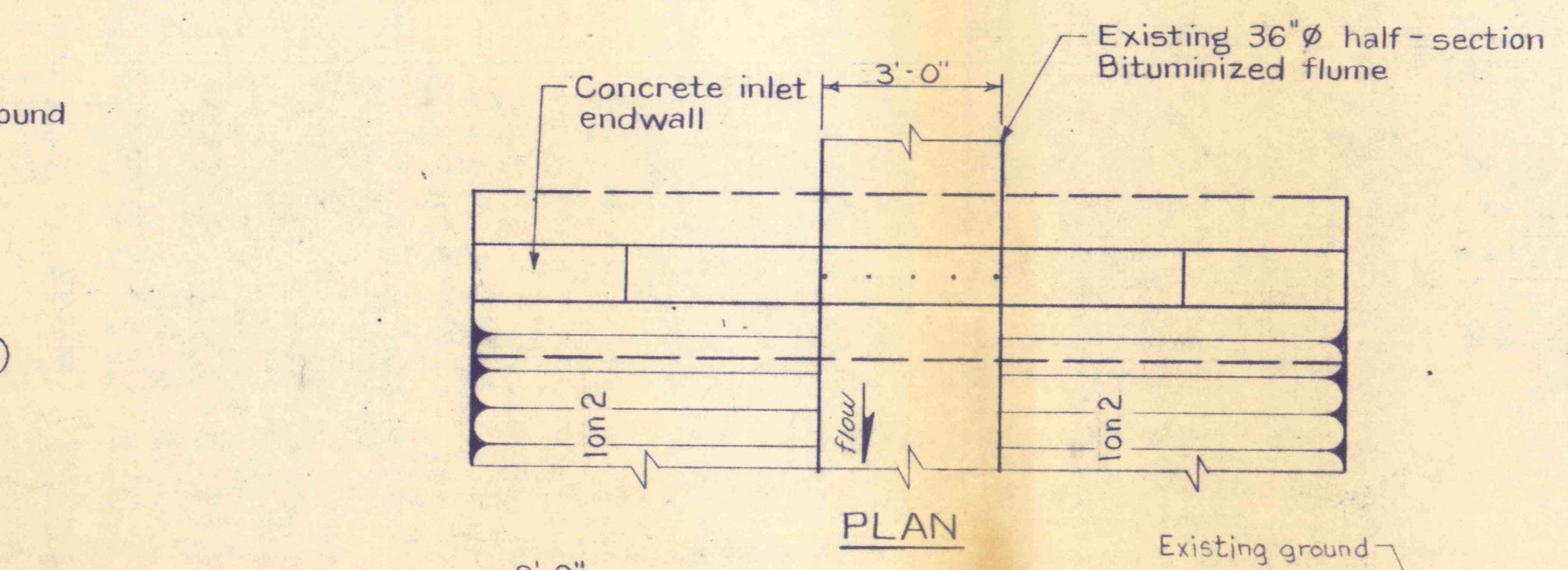


NOTES: Clear all loose debris and stones before backfilling.

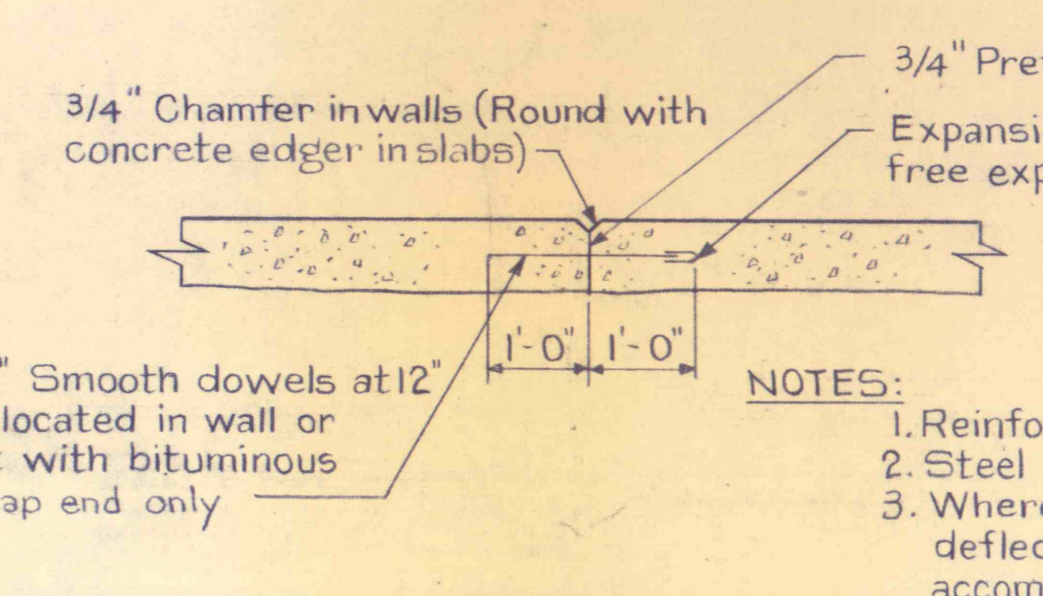


REMEDIAL WORK - TYPICAL DETAILS
No Scale

NOTE: Slab steel is not shown.



JOINT TYPE J-1 (Contraction)



JOINT TYPE J-2 (Expansion)

JOINT DETAILS
No Scale

CONCRETE NOTES:

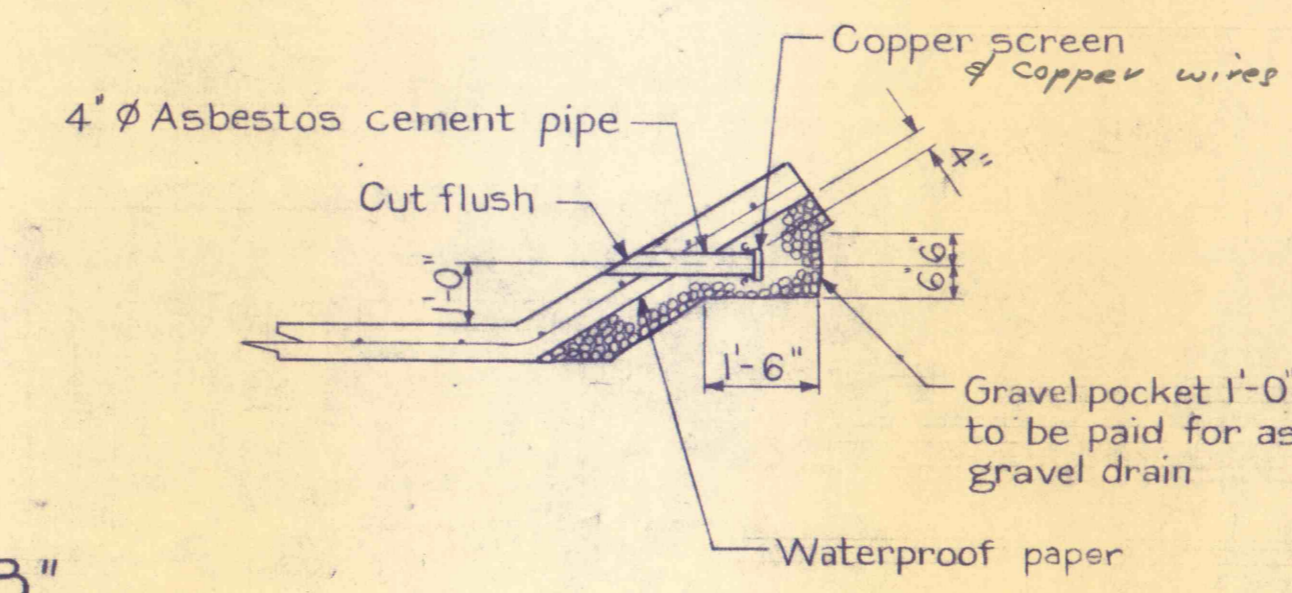
1. Chamfer all exposed edges, horizontal and vertical joints in walls 3/4".
2. All steel reinforcement is 2" clear (edge of steel to surface of concrete) unless otherwise noted.
3. < No. Denotes concrete finish. See Specifications
4. J-1 (Contraction joint); J-2 (Expansion joint)
5. All reinforcing bars shall be lapped 30 diameters.
6. All reinforcing steel is paid for under item (8).

NOTES:

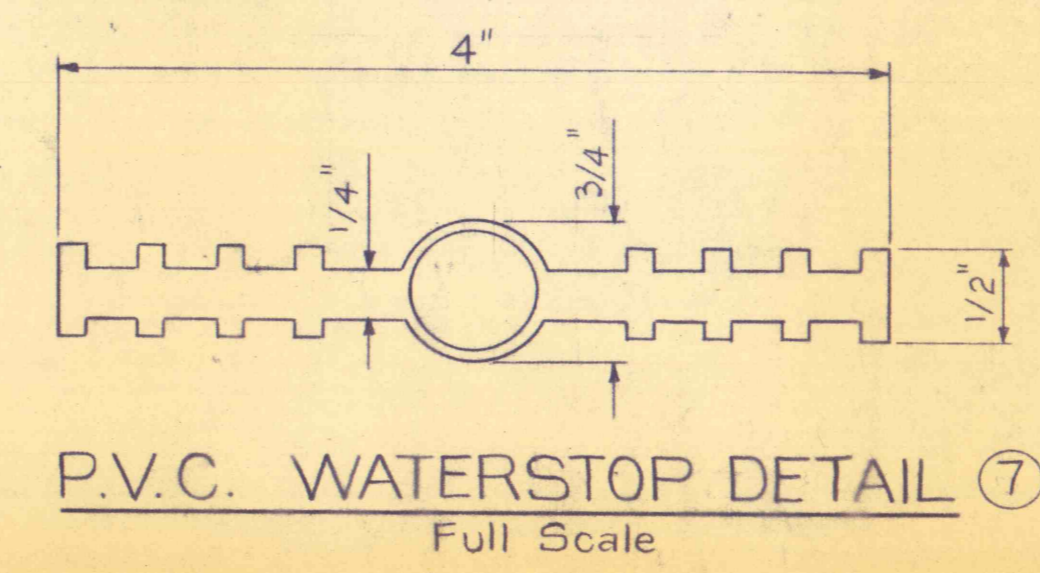
1. For General Notes, see Dwg. No. 3.

REFERENCES:

1. Plan and Profile - Dwg. No. 4 and 5
2. Cross Sections - Dwg. No. 6



WEEP HOLE DETAILS
No Scale



NO.	DATE	REVISION	APPR.
SUBMITTED: B.P. Rao			
PROJECT CO-ORDINATOR			
APPROVED: Albert A. Ranieri			
CHIEF - DIVISION OF MINE RECLAMATION			
APPROVED: [Signature]			
DIRECTOR - BUREAU OF DESIGN			

COMMONWEALTH OF PENNSYLVANIA
DEPARTMENT OF ENVIRONMENTAL RESOURCES
OFFICE OF RESOURCES MANAGEMENT
CONTRACT NO. SL 113-2-3F
MINE DRAINAGE POLLUTION ABATEMENT
REMEDIAL WORK
SHAMOKIN CREEK WATERSHED
NORTHUMBERLAND CO. PENNSYLVANIA

DRAWN BY		DATE	DRAWING NO.
Mandy		9/27/76	7 of 7
CHECKED BY		SCALE	
L.A.M.		As shown	