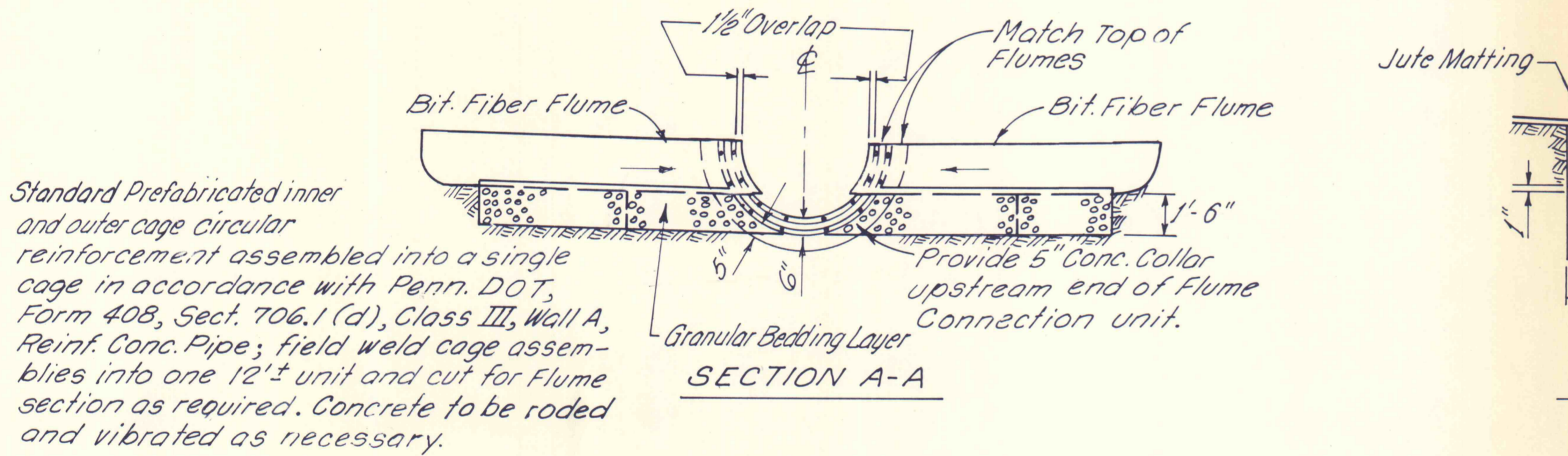
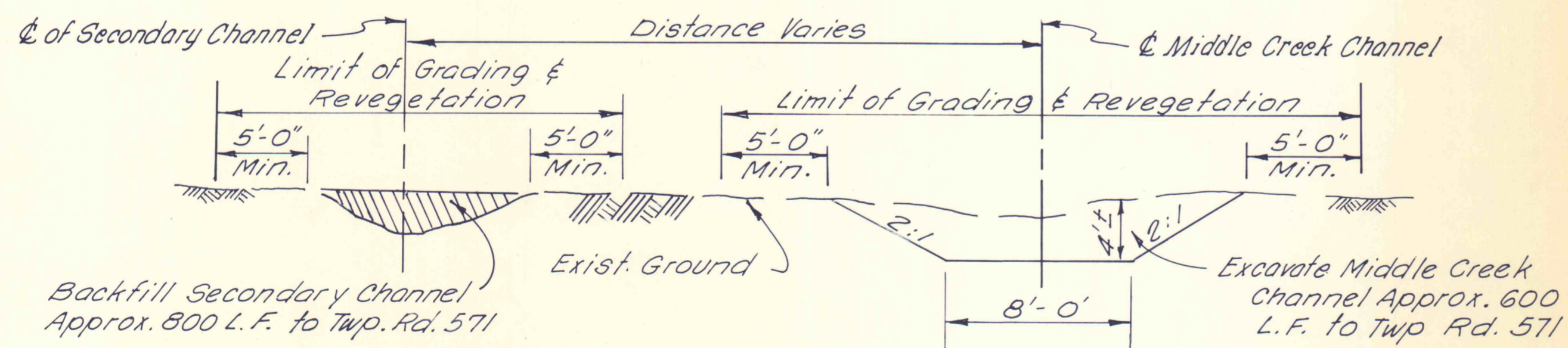


SECTION B-B PLAN SECTION C-C

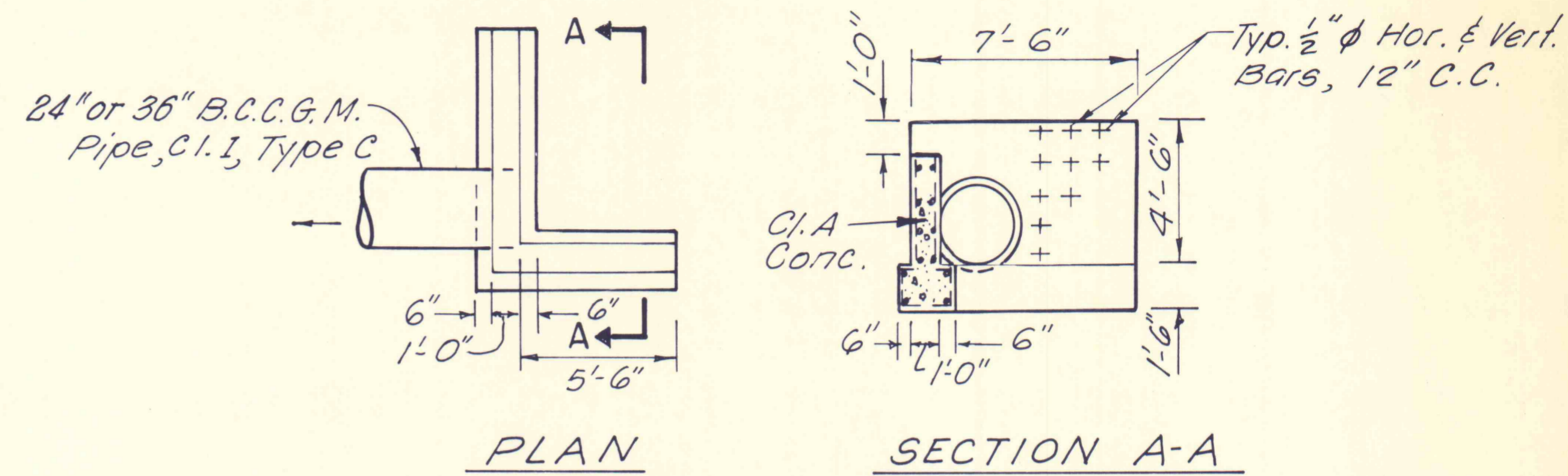


TYPICAL SECTION FOR BITUMINOUS FIBER FLUME CONNECTION TO EXISTING CONCRETE FLUME
No Scale

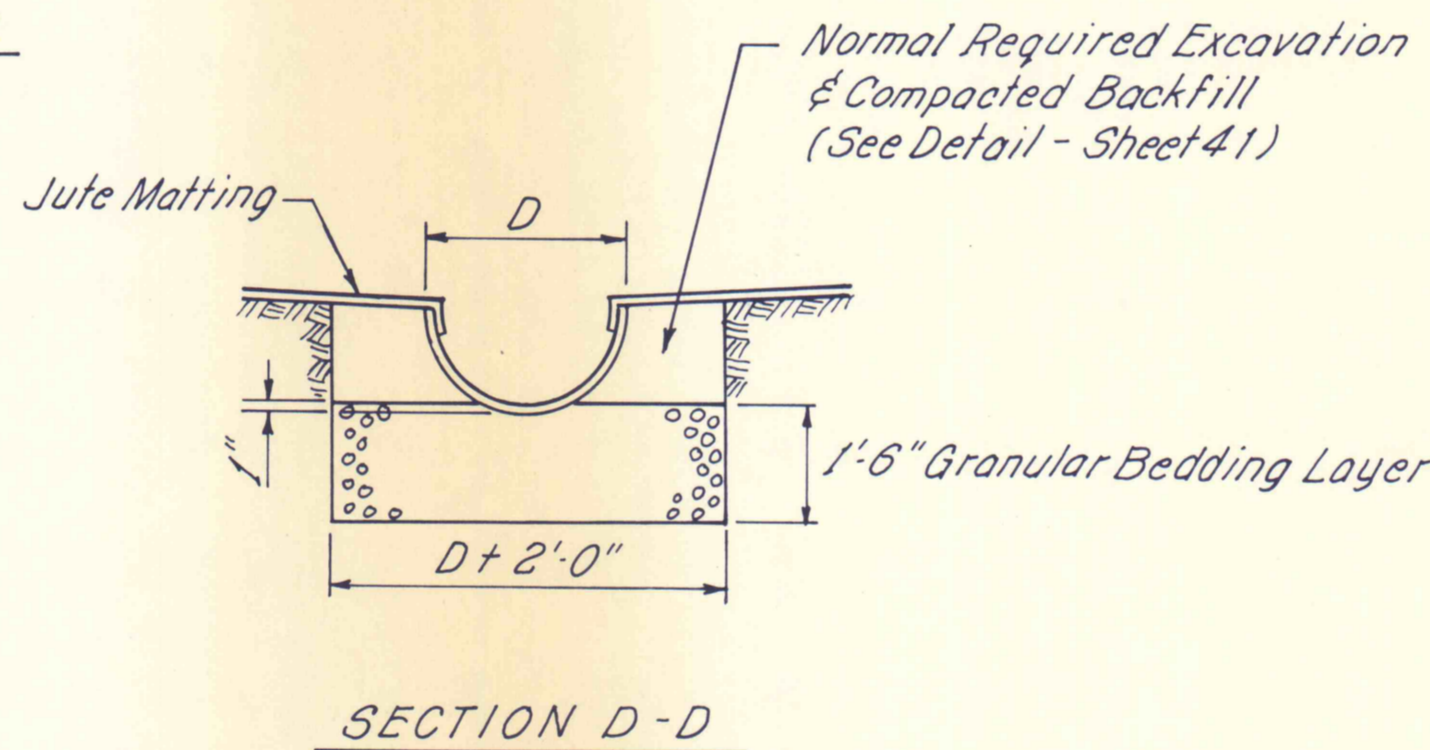
* OPTIONAL METHOD TO BE USED IF CUTTING ENTRANCE OPENINGS IN SIDES OF EXISTING CONCRETE FLUME IS NOT FEASIBLE.



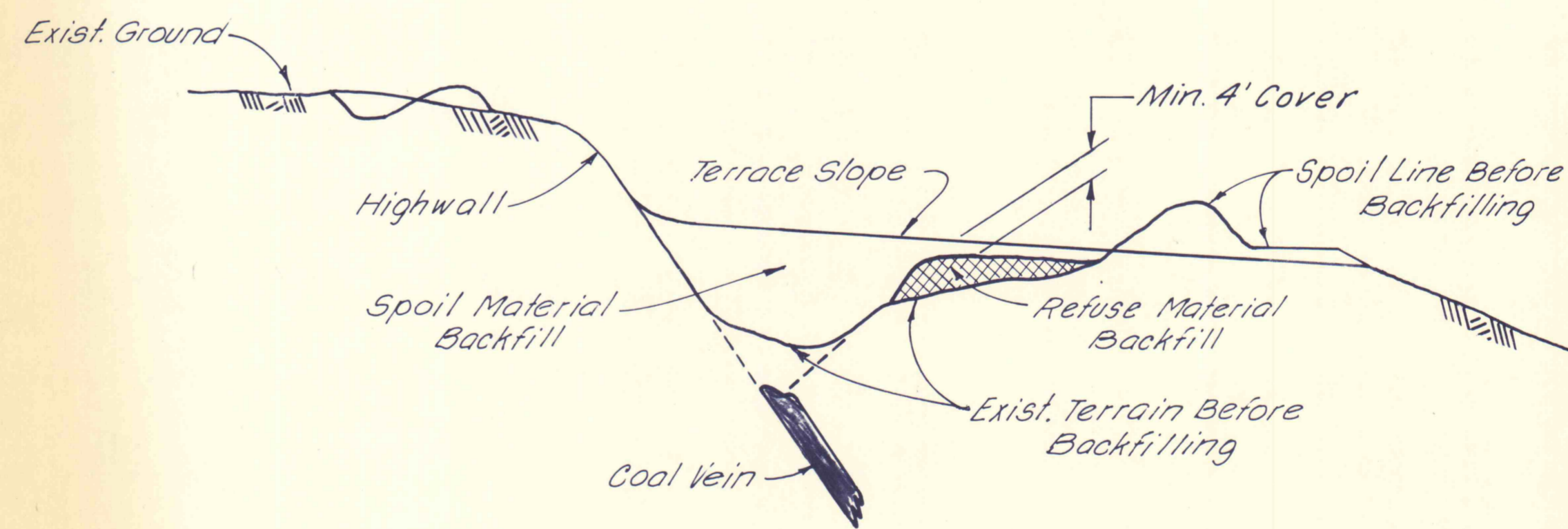
MIDDLE CREEK CHANNEL IMPROVEMENT DETAIL
Sta. 35+50 to Twp. Rd. 571
(No Scale)



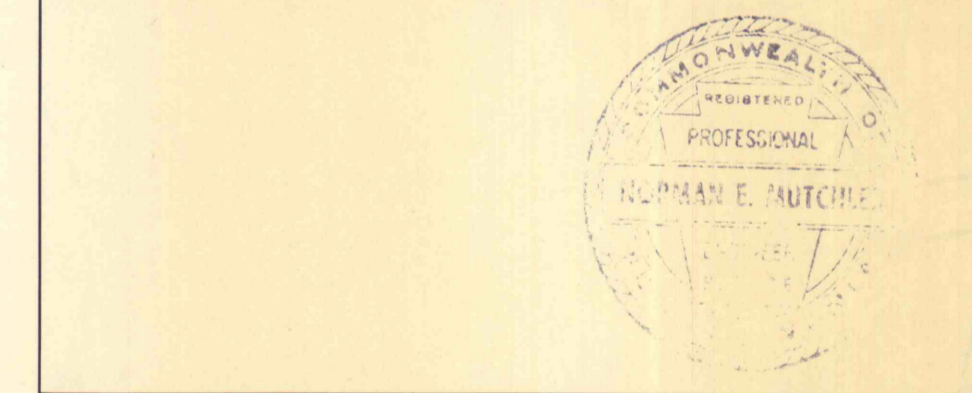
TYPICAL CONCRETE ENDWALL
No Scale



TYPICAL DETAIL FOR BURYING REFUSE MATERIAL
No Scale



1-13-77	AS BUILT		
NO	DATE	REVISION	APPR.
SUBMITTED			
PROFESSIONAL <i>Norman E. Muthke</i>			
APPROVED <i>Robert A. Ramer</i> CHIEF - DIVISION OF MINE DRAINAGE REHABILITATION			
APPROVED <i>John P. ...</i> DIRECTOR - BUREAU OF CONSULTING SERVICES			



COMMONWEALTH OF PENNSYLVANIA
DEPARTMENT OF ENVIRONMENTAL RESOURCES
OFFICE OF ENGINEERING AND CONSTRUCTION

PROJECT NO. SL-I26-2-7

MINE DRAINAGE POLLUTION ABATEMENT
SWATARA CREEK WATERSHED
SCHUYLKILL COUNTY

BERGER ASSOCIATE
Consulting Engine
P.O. Box 1943

SPECIAL DE

DRAWN BY	DATE	OR
J. S.	APR. 17, 1973	
CHECKED BY	SCALE	
M. W.	NO SCALE	