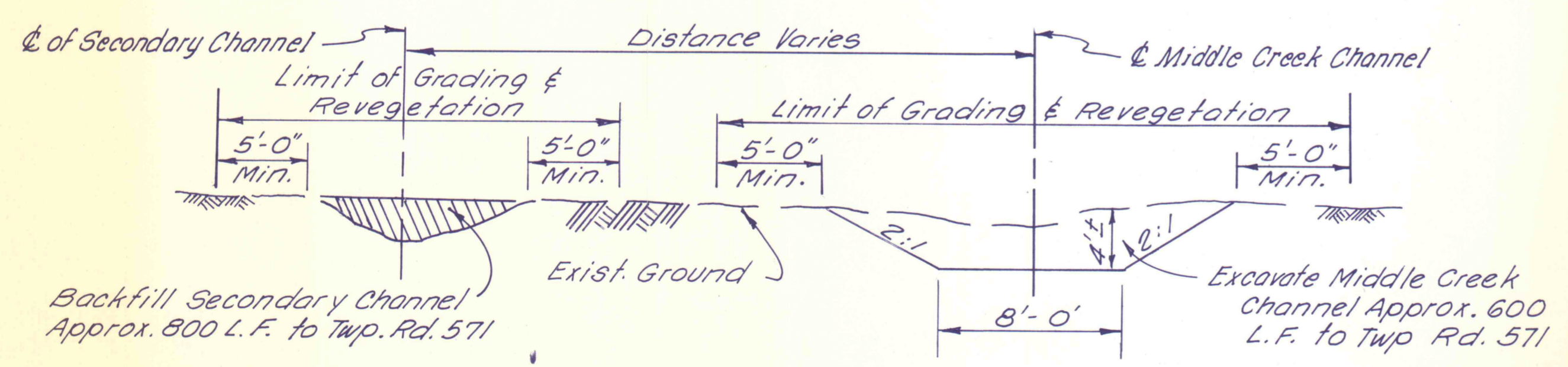
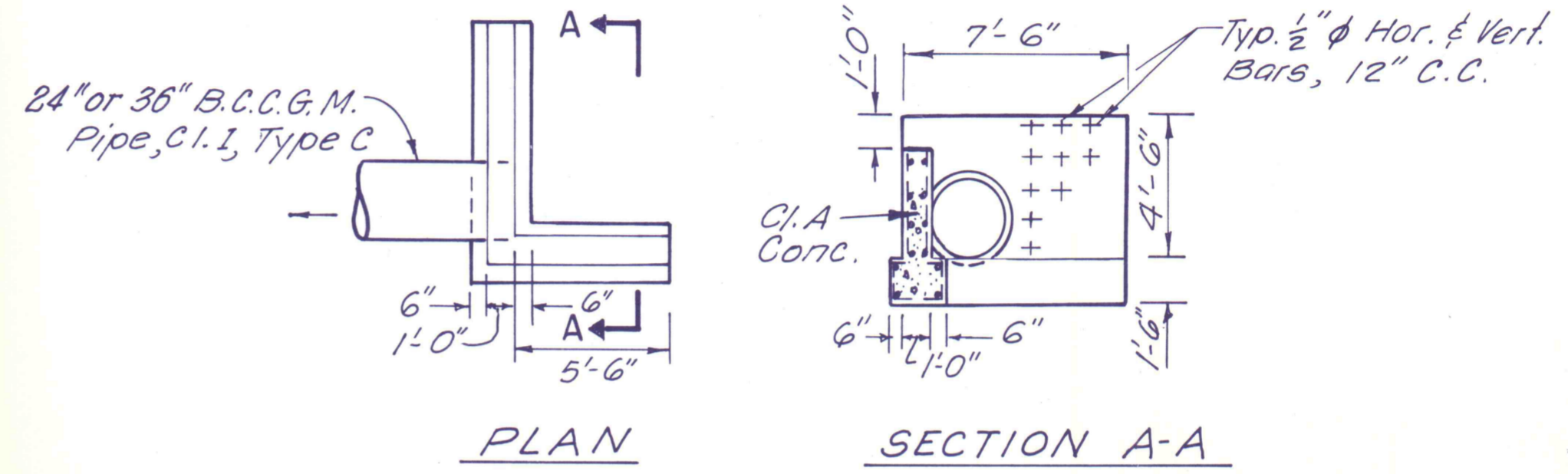


TYPICAL SECTION FOR BITUMINOUS FIBER FLUME CONNECTION TO EXISTING CONCRETE FLUME
No Scale

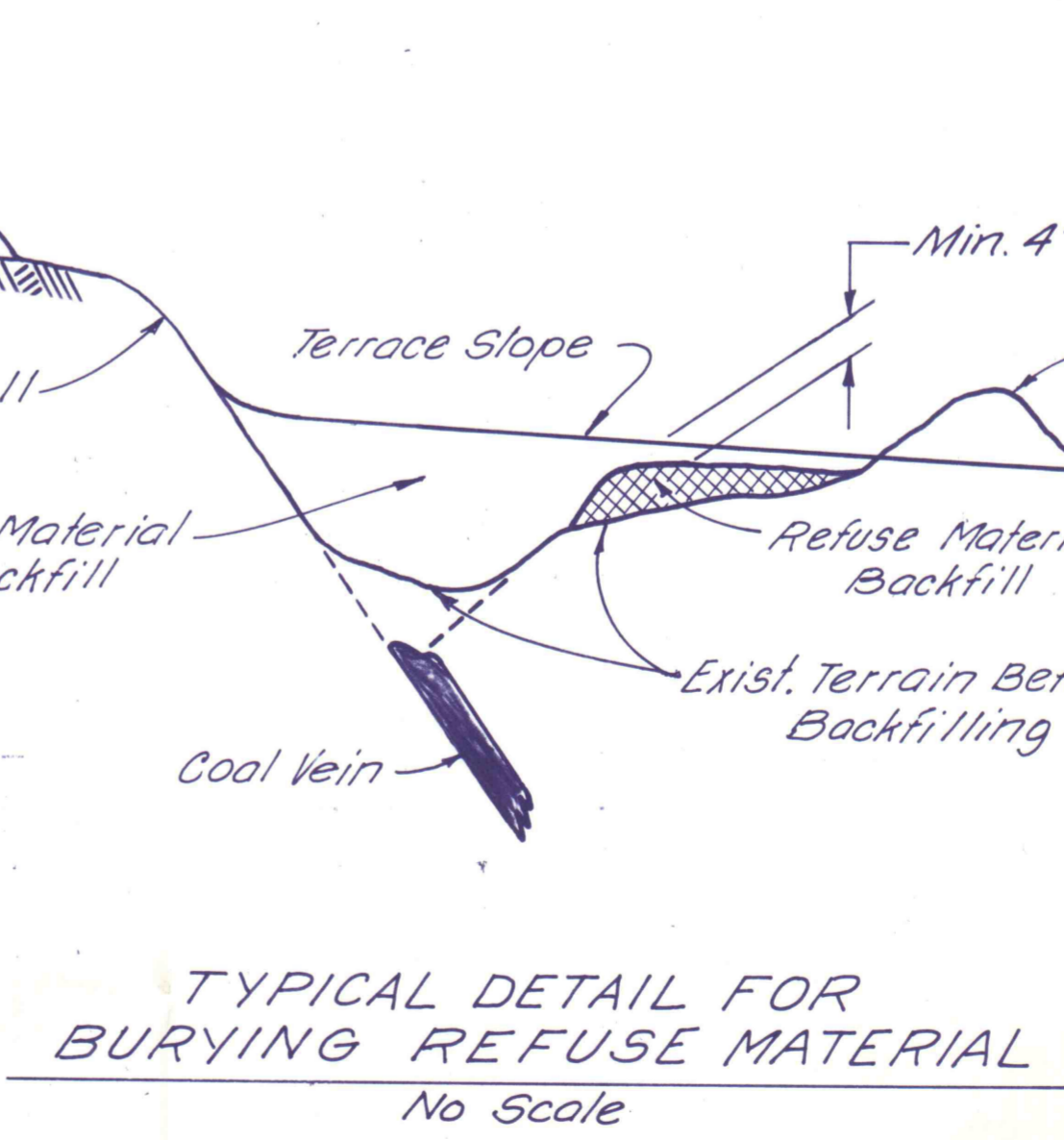
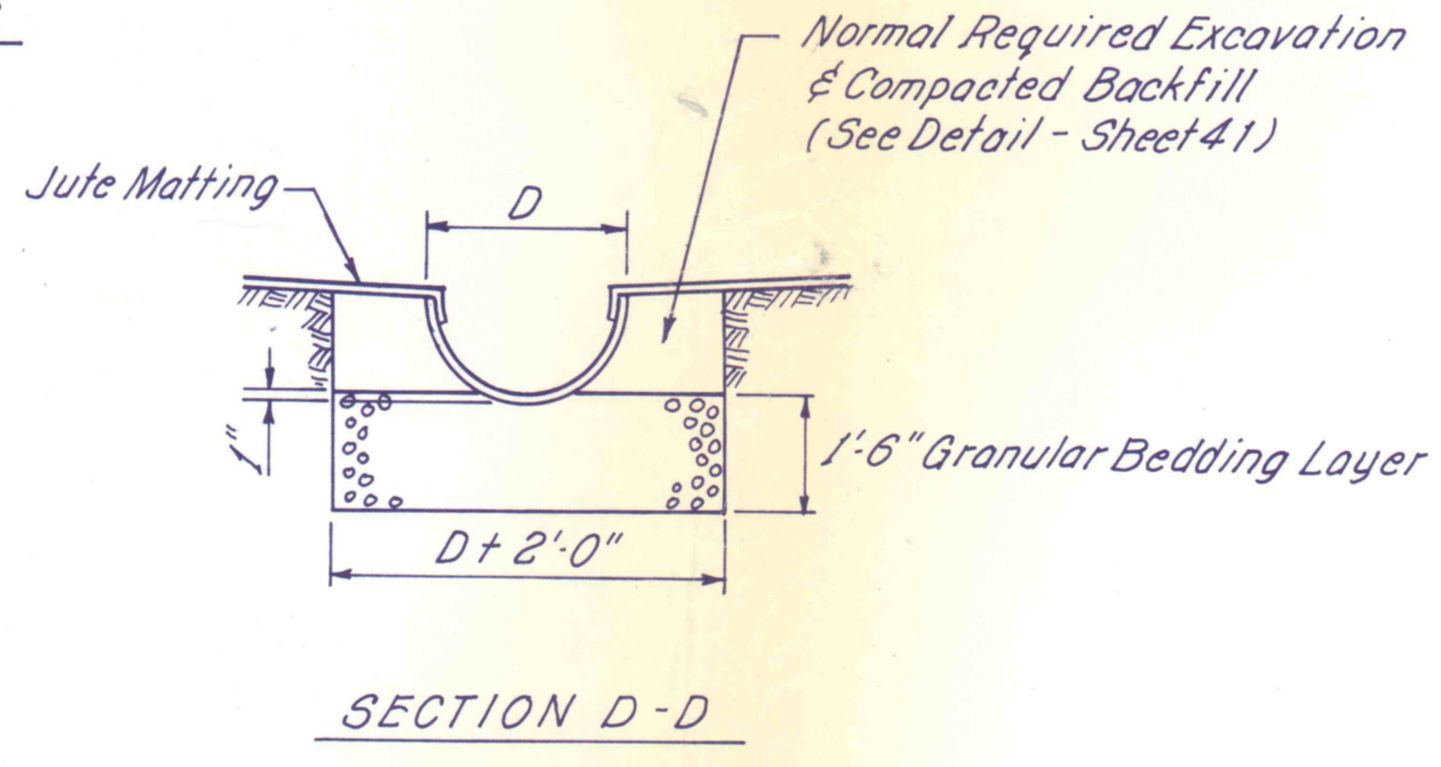
* OPTIONAL METHOD TO BE USED IF CUTTING ENTRANCE OPENINGS IN SIDES OF EXISTING CONCRETE FLUME IS NOT FEASIBLE.



MIDDLE CREEK CHANNEL IMPROVEMENT DETAIL
Sta. 35+50 to Twp. Rd. 571
(No Scale)



TYPICAL CONCRETE ENDWALL
No Scale



TYPICAL DETAIL FOR BURYING REFUSE MATERIAL
No Scale

NO	DATE	REVISION	APPR.
SUBMITTED			
PROFESSIONAL			
APPROVED			
APPROVED			



COMMONWEALTH OF PENNSYLVANIA
DEPARTMENT OF ENVIRONMENTAL RESOURCES
OFFICE OF ENGINEERING AND CONSTRUCTION

PROJECT NO. SL-126-2-7

MINE DRAINAGE
POLLUTION ABATEMENT
SWATARA CREEK WATERSHED
SCHUYLKILL COUNTY

BERGER ASSOCIATES, INC.
Consulting Engineers

P.O. Box 1943 Harrisburg, Penna.

SPECIAL DETAILS

DRAWN BY	DATE	DRAWING NO.
J. S.	APR. 17, 1973	
CHECKED BY	SCALE	
M. W.	NO SCALE	