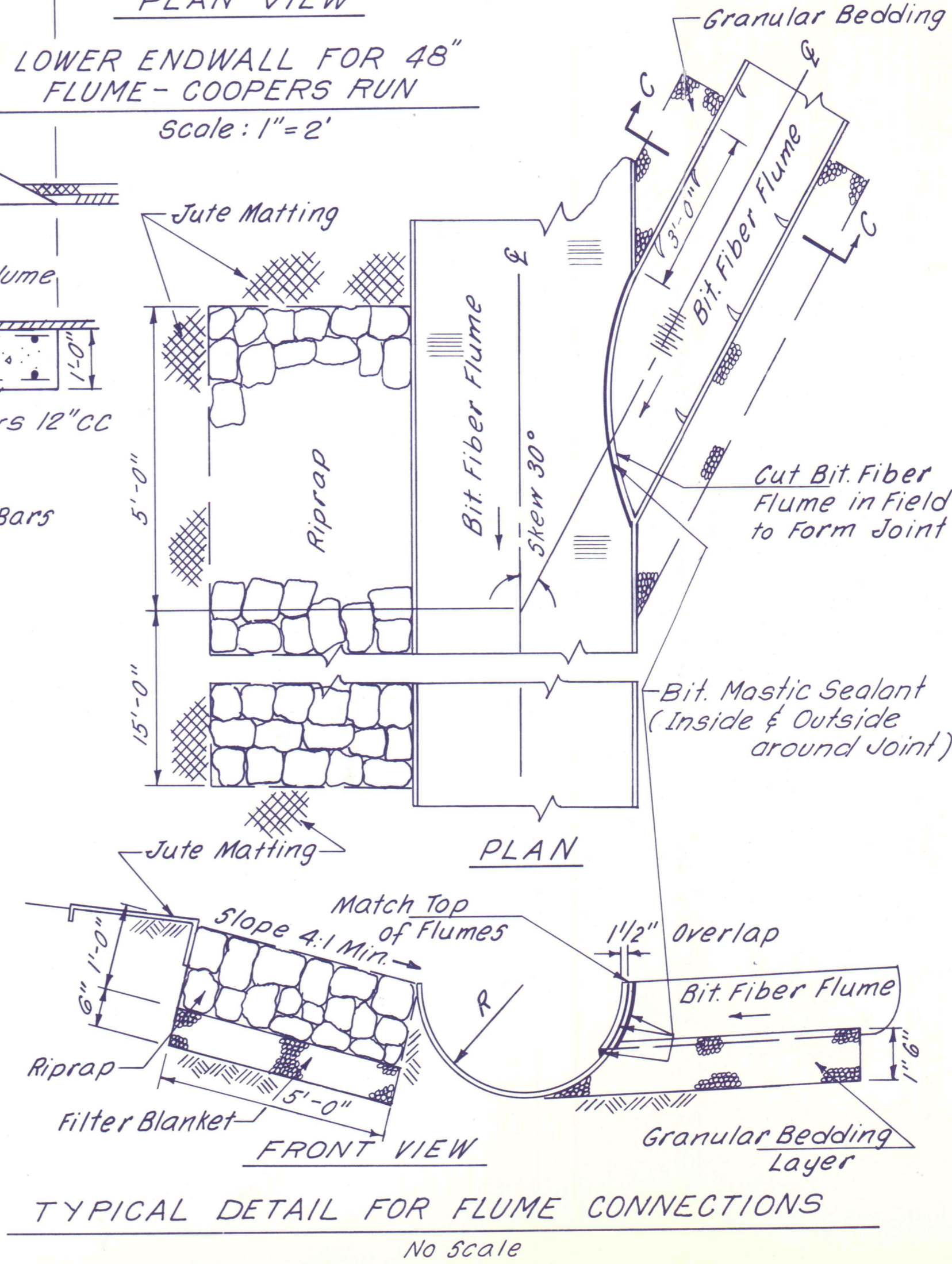
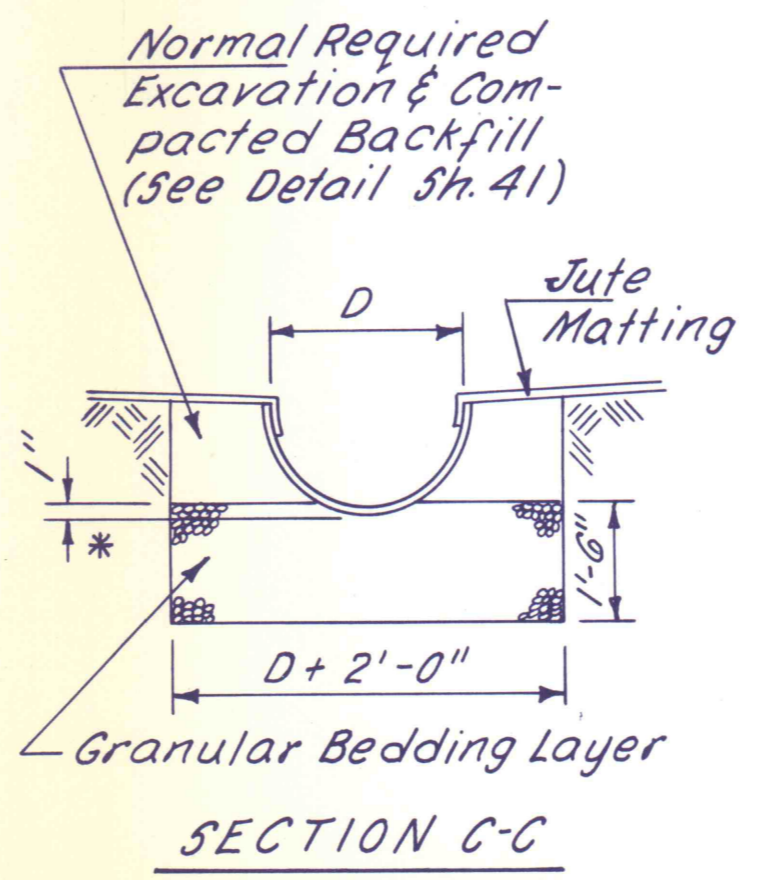
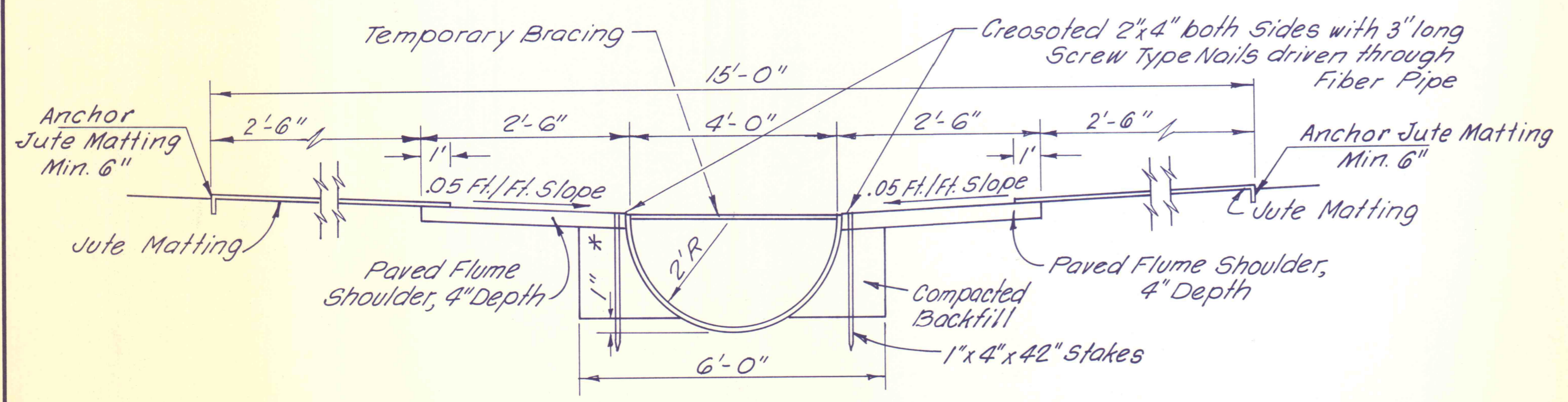


UPPER ENDWALL FOR 48" FLUME - COOPERS RUN
Scale: 1" = 2'

SECTION A-A



TYPICAL SECTION
48" FLUME - COOPERS RUN
No Scale
For Installation Detail See Sheet No. 41

* If large rock or unsuitable material is encountered during bedding preparation, excavate mat'l. and backfill to grade with suitable granular spoil.

NO.	DATE	REVISION	APPR.
SUBMITTED			
PROFESSIONAL	Norman E. Mutchler		
APPROVED	Chief of Division of Mine Drainage Rehabilitation		
APPROVED	Director - Bureau of Consulting Services		
COMMONWEALTH OF PENNSYLVANIA DEPARTMENT OF ENVIRONMENTAL RESOURCES OFFICE OF ENGINEERING AND CONSTRUCTION			
PROJECT NO. SL-126-2-7			
MINE DRAINAGE POLLUTION ABATEMENT SWATARA CREEK WATERSHED SCHUYLKILL COUNTY			
BERGER ASSOCIATES, INC. Consulting Engineers			
P.O. Box 1943		Harrisburg, Penna.	
DETAILS OF 48" FLUME COOPERS RUN			
DRAWN BY	DATE	DRAWING NO.	
W.G.	APR. 17, 1973	42 of 43	
CHECKED BY	SCALE		
M.W.	AS SHOWN		