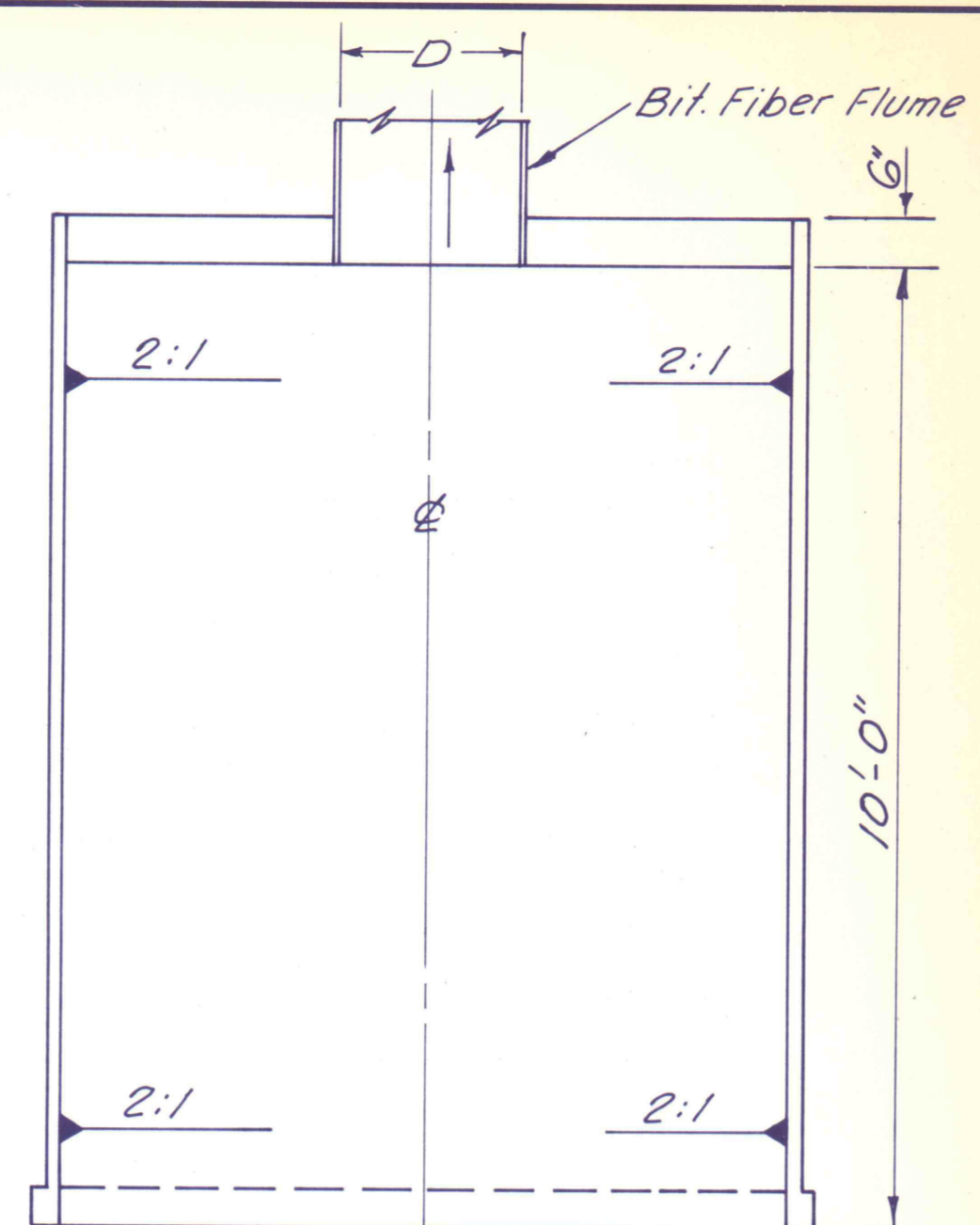
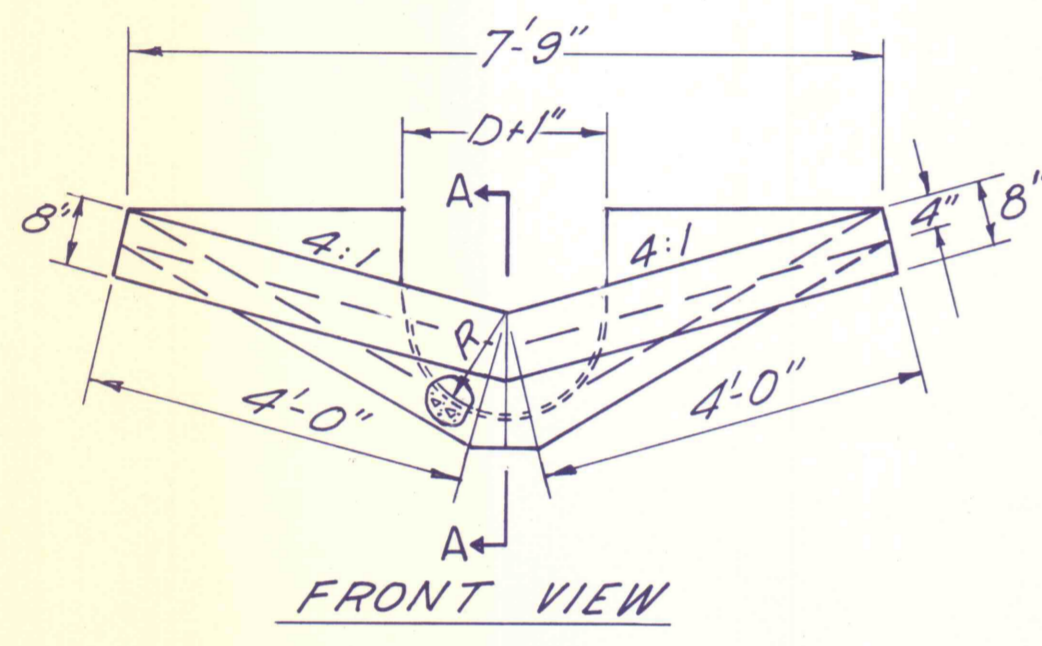


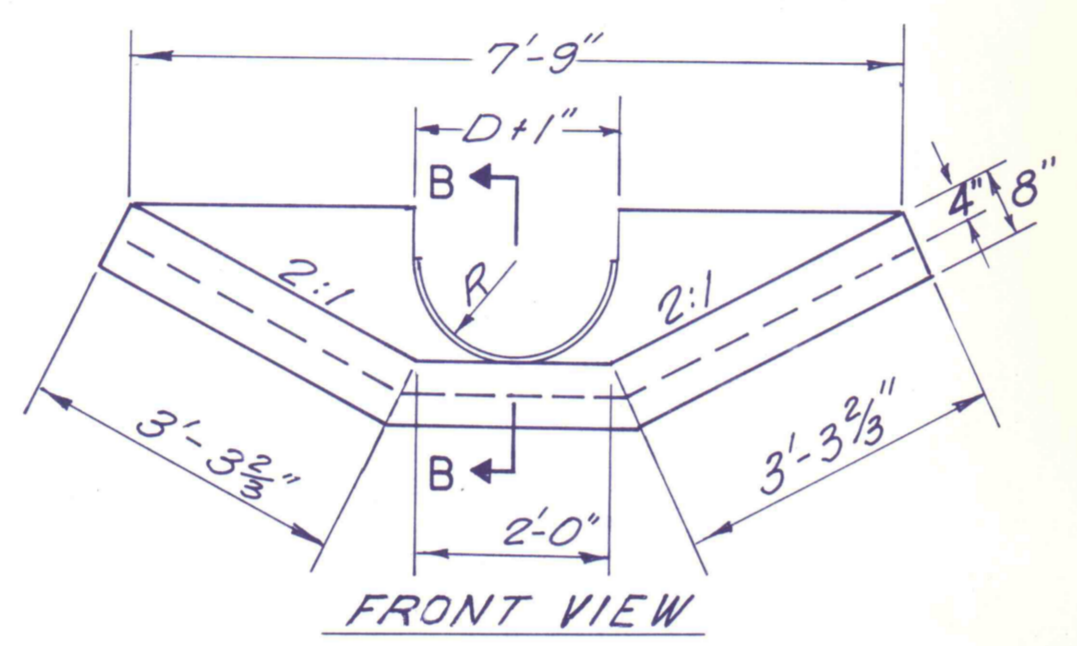
PLAN VIEW



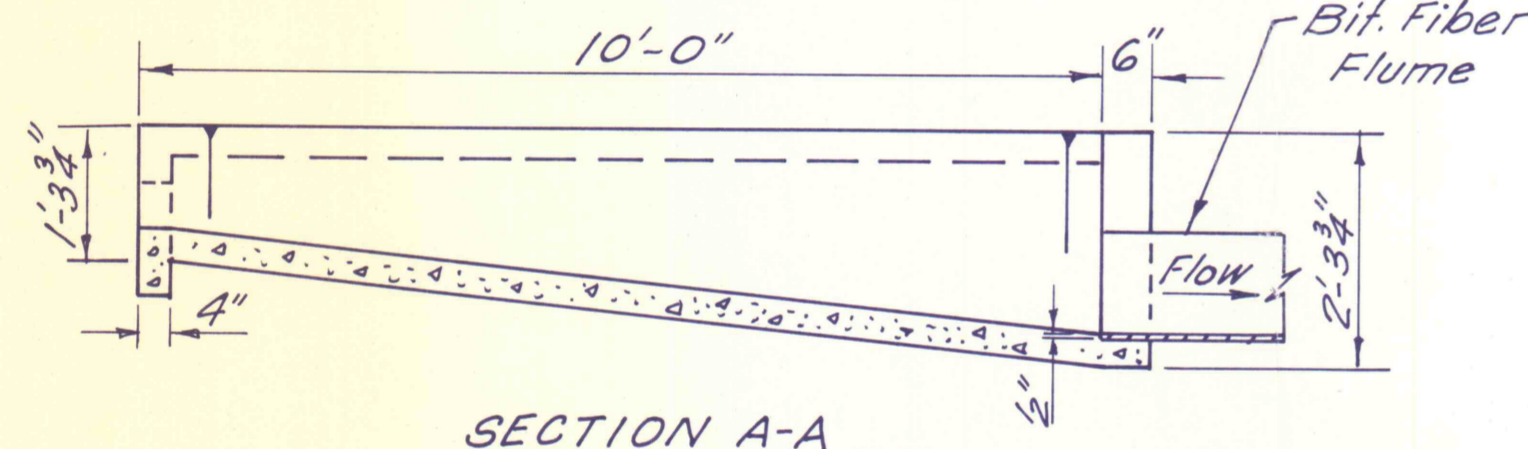
PLAN VIEW



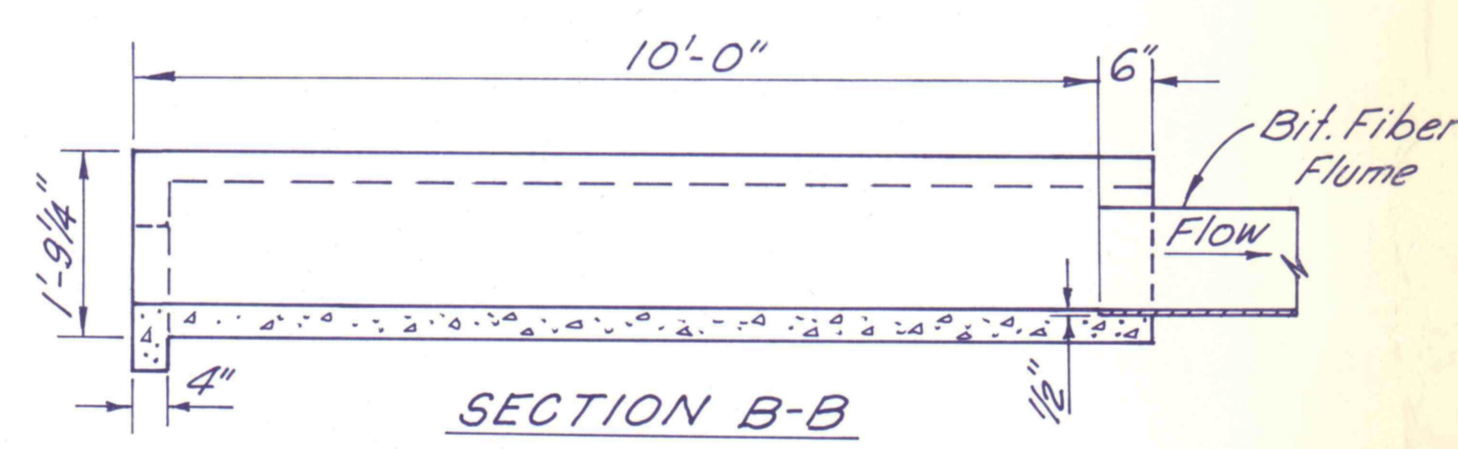
FRONT VIEW



FRONT VIEW



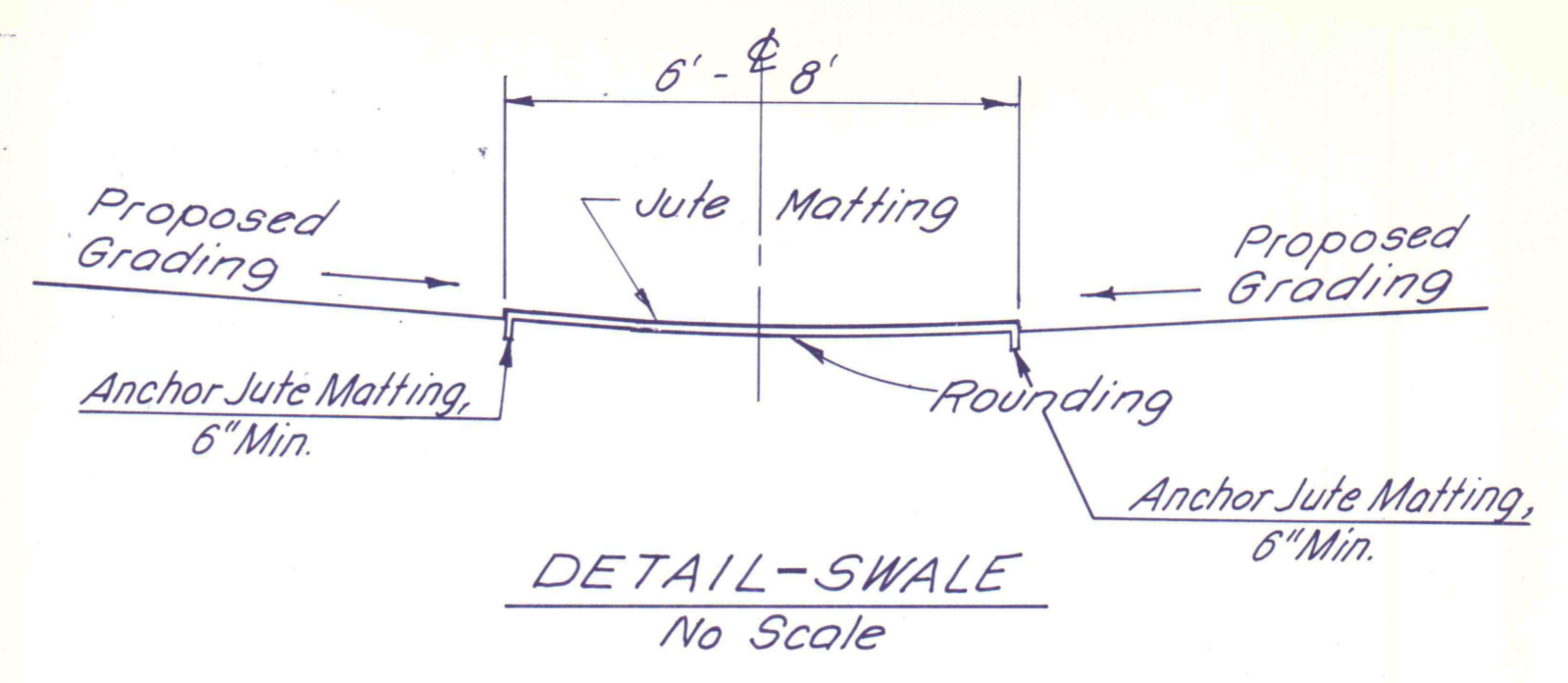
SECTION A-A



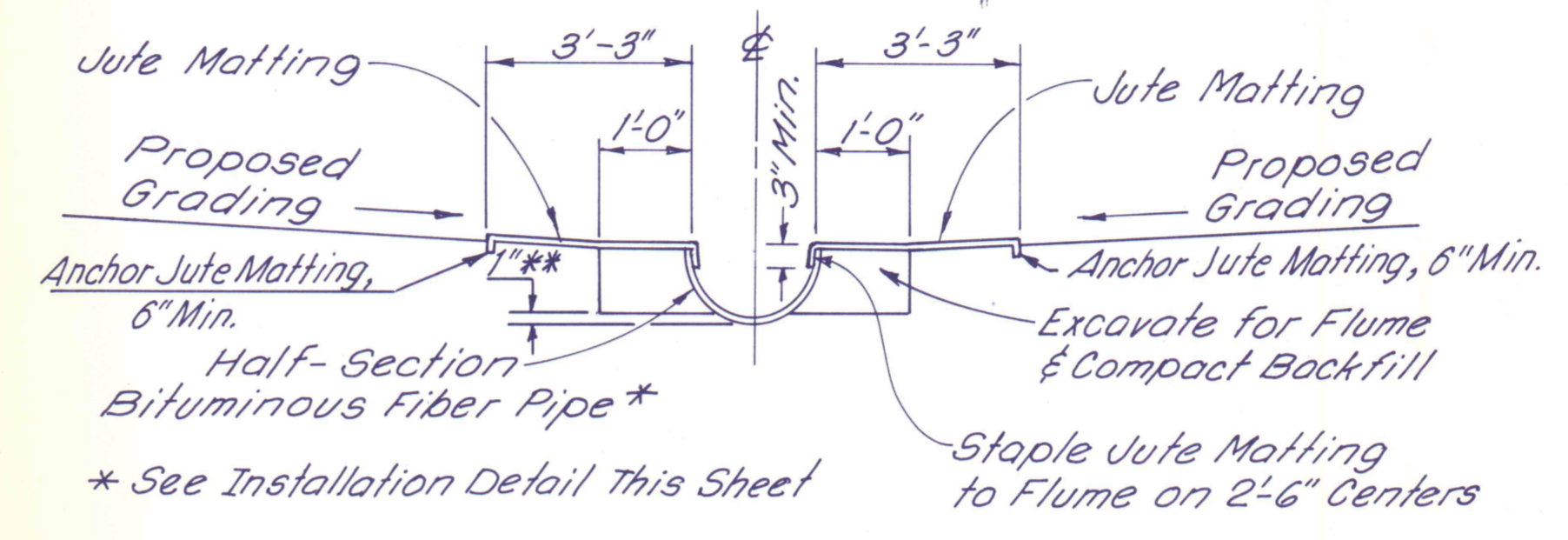
SECTION B-B

CONC. PAVED SWALE - FLUME ENTRANCE
Scale: 1" = 1/2'

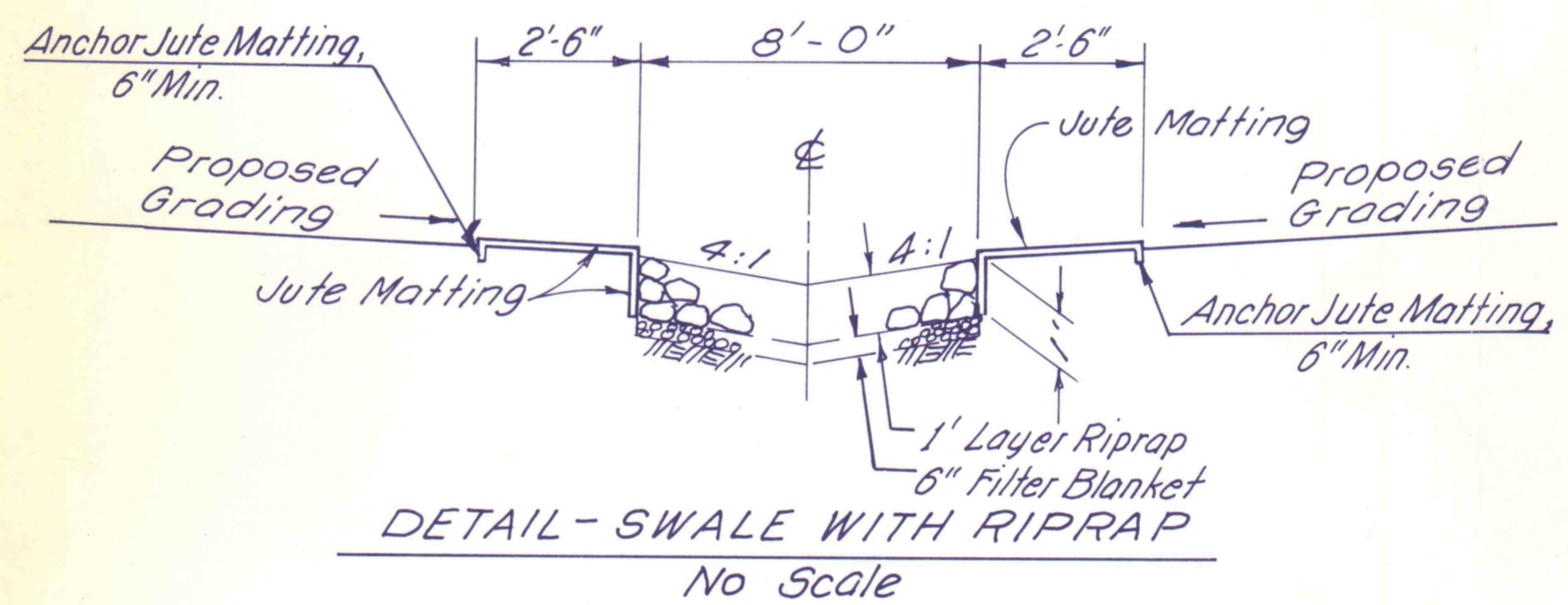
CONC. PAVED DITCH - FLUME ENTRANCE
Scale: 1" = 1/2'



DETAIL - SWALE
No Scale

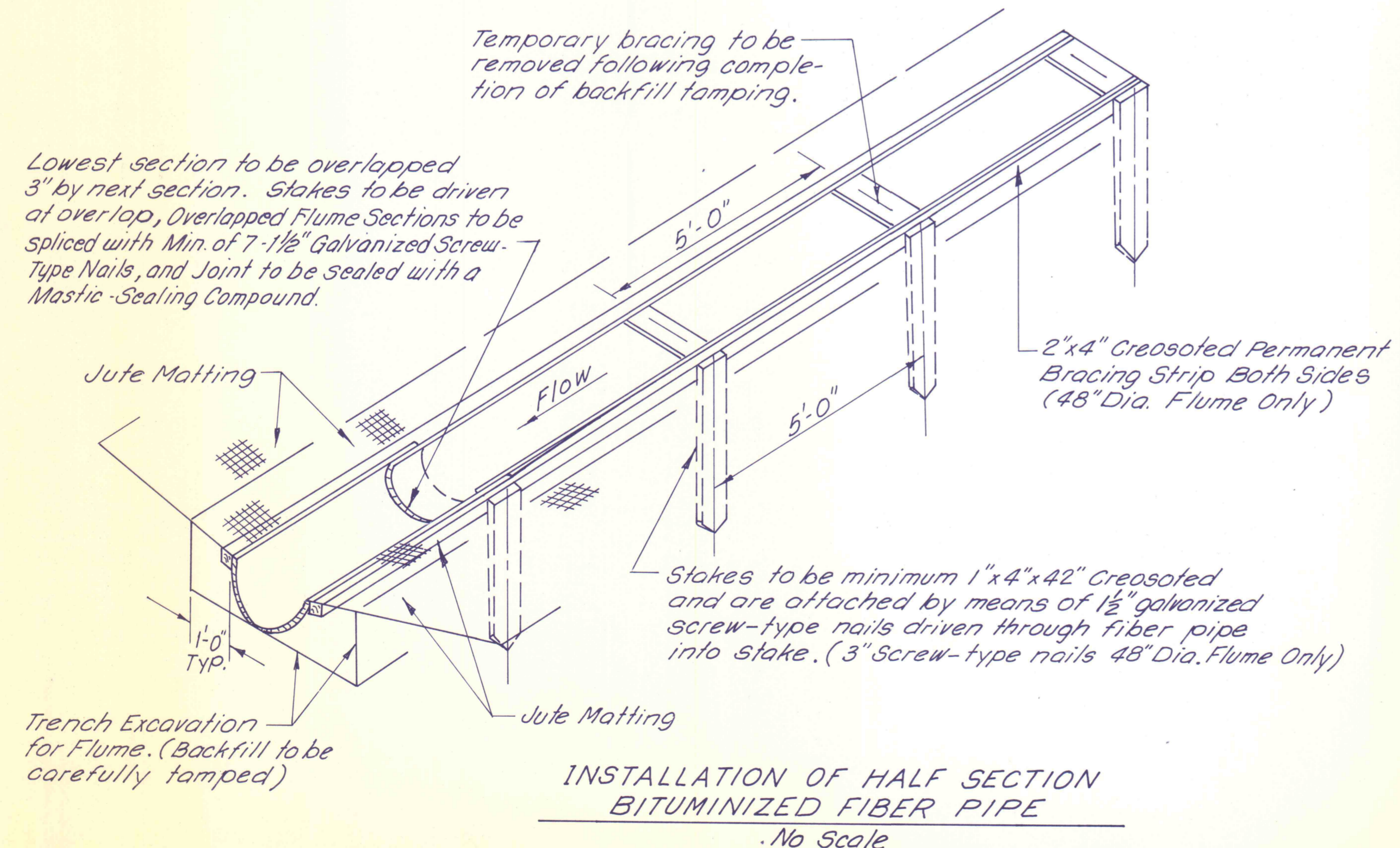


DETAIL - SWALE WITH FLUME
No Scale

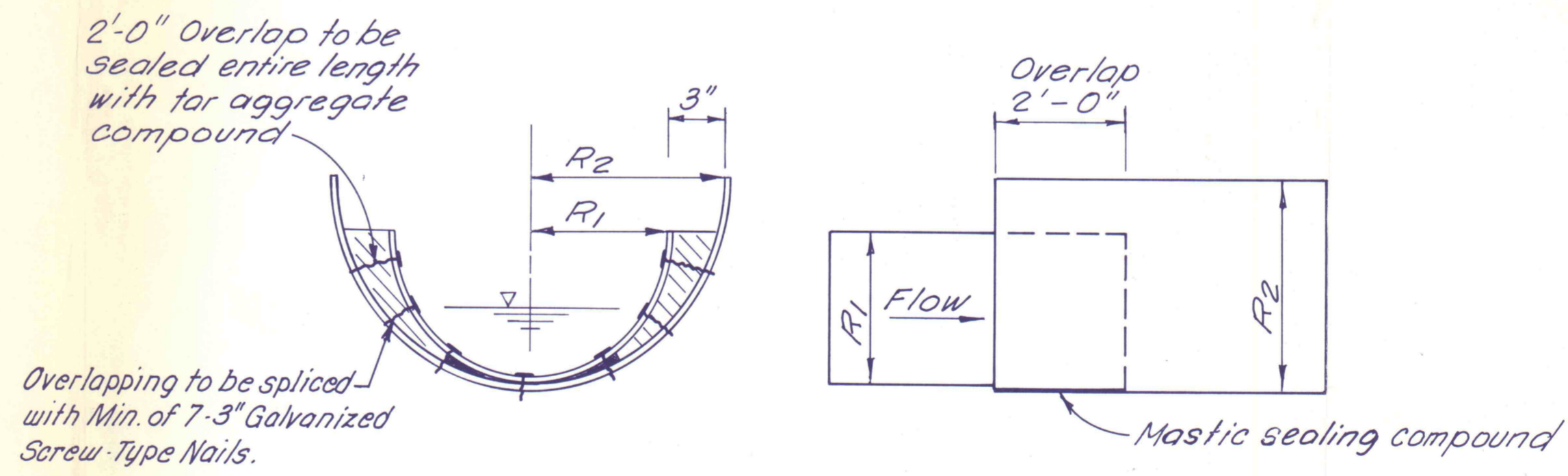


DETAIL - SWALE WITH RIPRAP
No Scale

** If Large Rock or Unsuitable Material is encountered during Bedding Preparation, excavate Material and backfill to Grade with Suitable Granular Spoil.



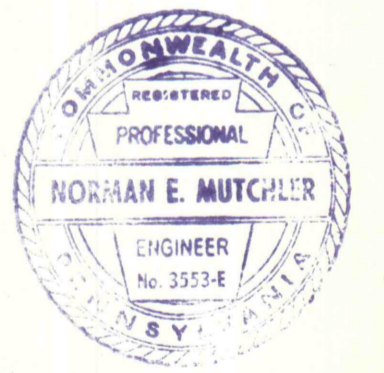
INSTALLATION OF HALF SECTION BITUMINIZED FIBER PIPE
No Scale



DETAIL - BITUMINIZED FIBER FLUME DIAMETER TRANSITION
No Scale

NO	DATE	REVISION	APPR.

SUBMITTED
Norman E. Mutchler
 PROFESSIONAL
 APPROVED
Albert C. Pomeroy
 CHIEF - DIVISION OF MINE DRAINAGE RENOVATION
 APPROVED
John Penago
 DIRECTOR - BUREAU OF CONSULTING SERVICES



COMMONWEALTH OF PENNSYLVANIA
 DEPARTMENT OF ENVIRONMENTAL RESOURCES
 OFFICE OF ENGINEERING AND CONSTRUCTION

PROJECT NO. SL-126-2-7
 MINE DRAINAGE POLLUTION ABATEMENT
 SWATARA CREEK WATERSHED
 SCHUYLKILL COUNTY

BERGER ASSOCIATES, INC.
 Consulting Engineers
 P.O. Box 1943 Harrisburg, Penna.

SWALE AND FLUME DETAILS

DRAWN BY J. S.	DATE APR. 17, 1973	DRAWING NO. 41 of 43
CHECKED BY N. M.	SCALE AS SHOWN	