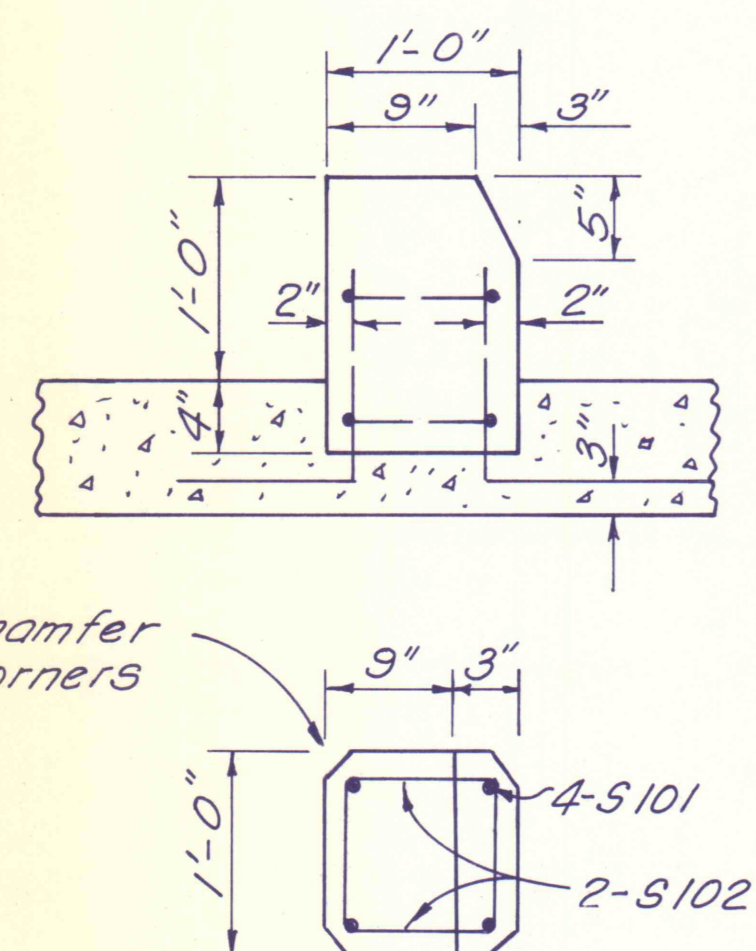
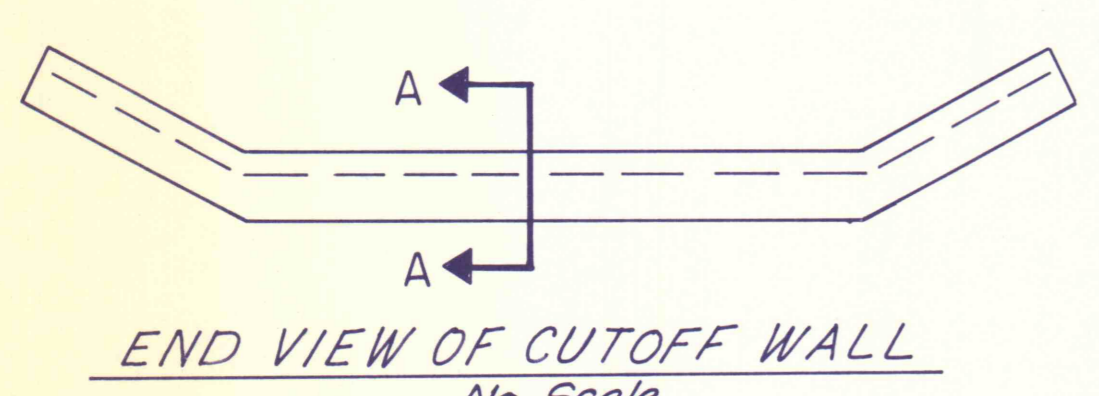


DETAIL OF ENERGY DISSIPATING UNIT
Scale: 1" = 2'

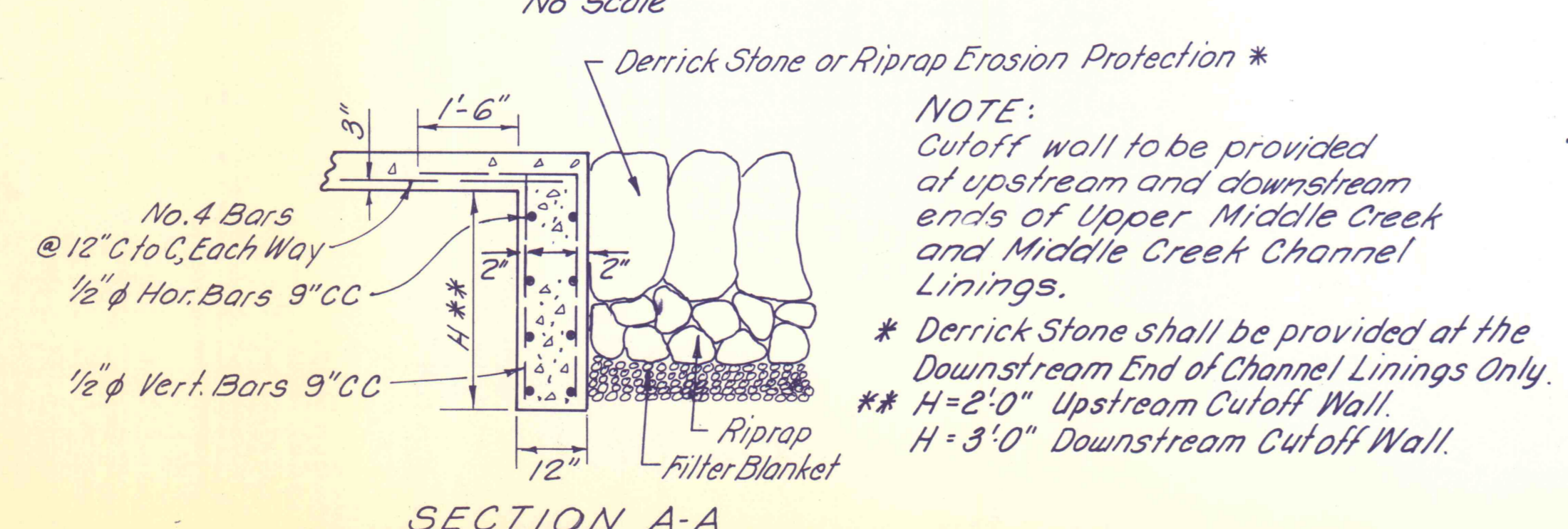


BENDING DETAIL

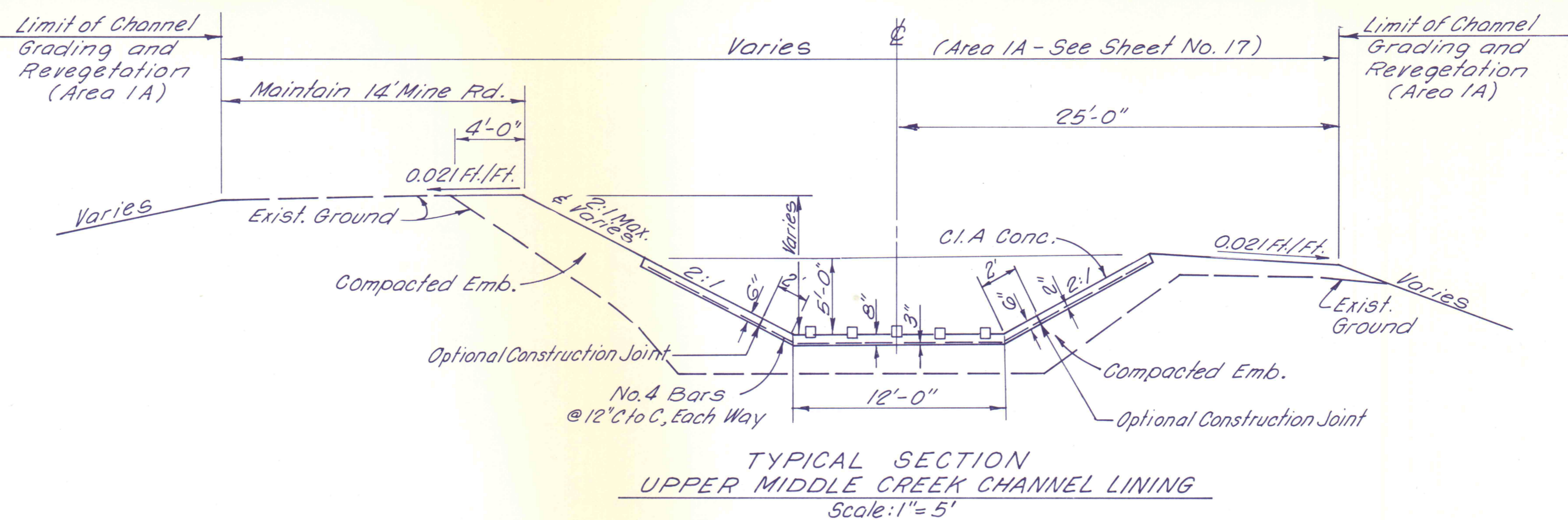
DETAIL BAFFLE BLOCK FOR ENERGY DISSIPATING UNIT
No Scale



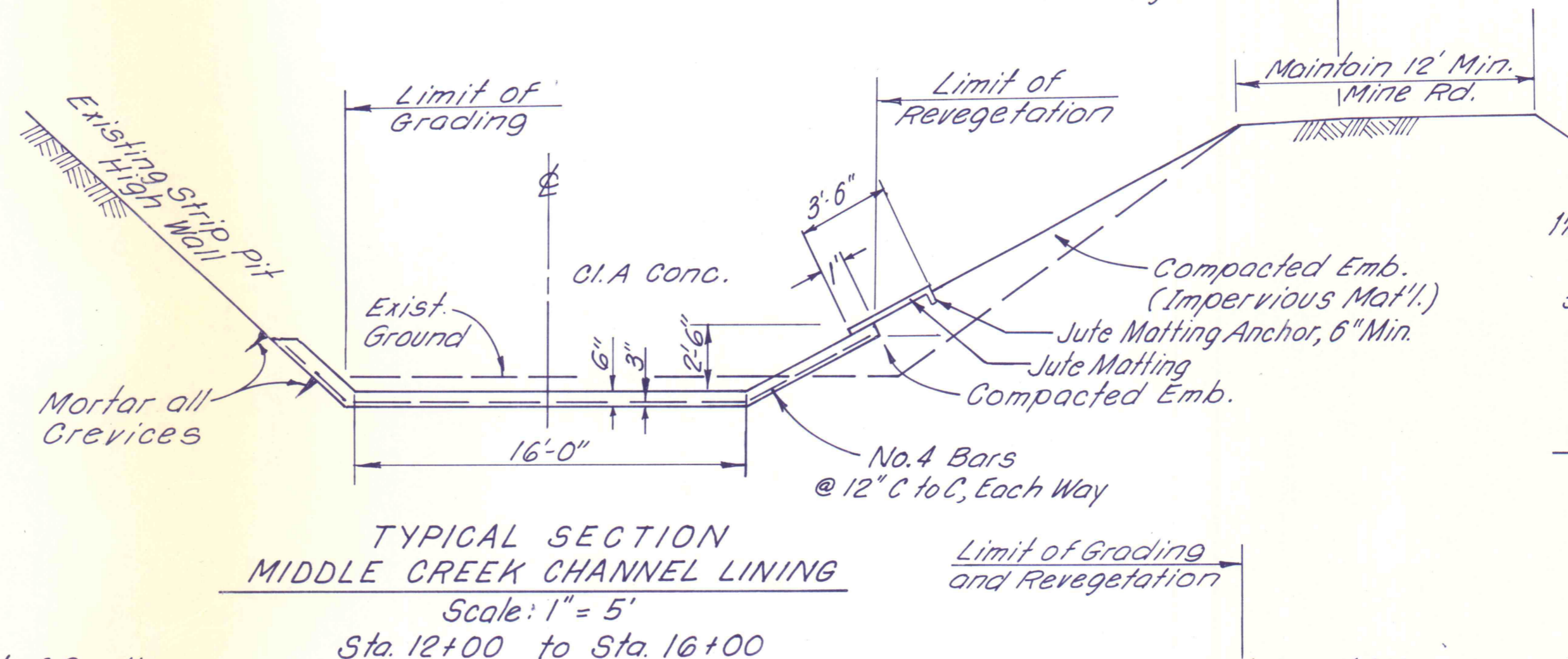
END VIEW OF CUTOFF WALL
No Scale



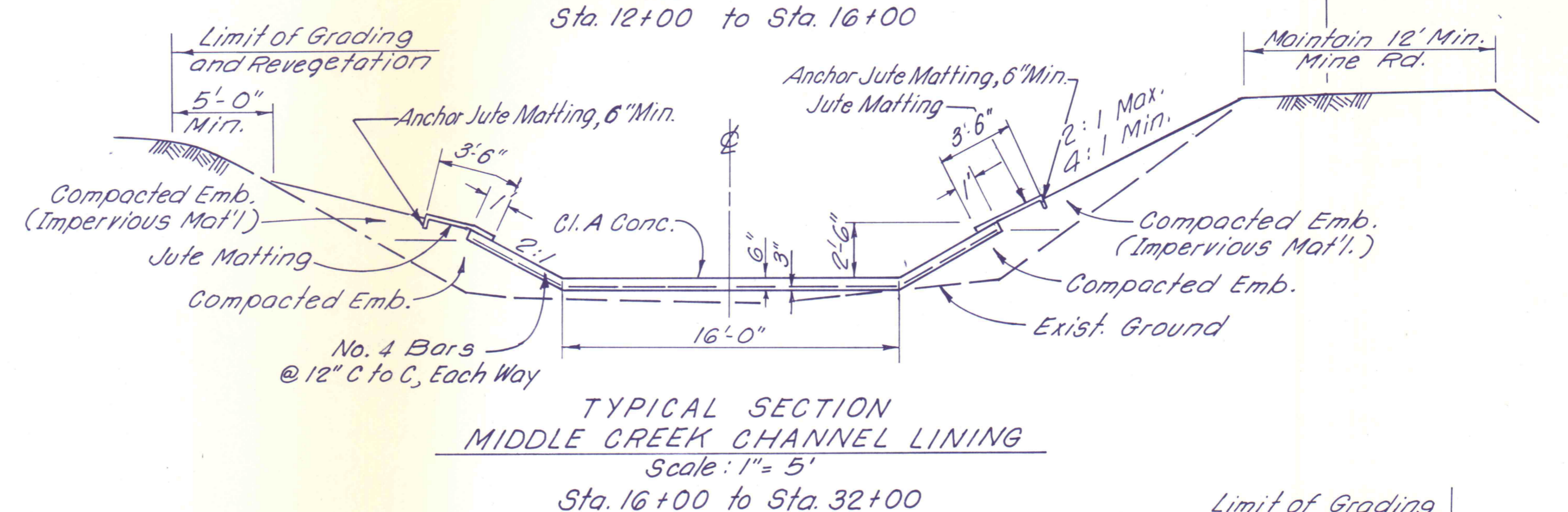
SECTION A-A



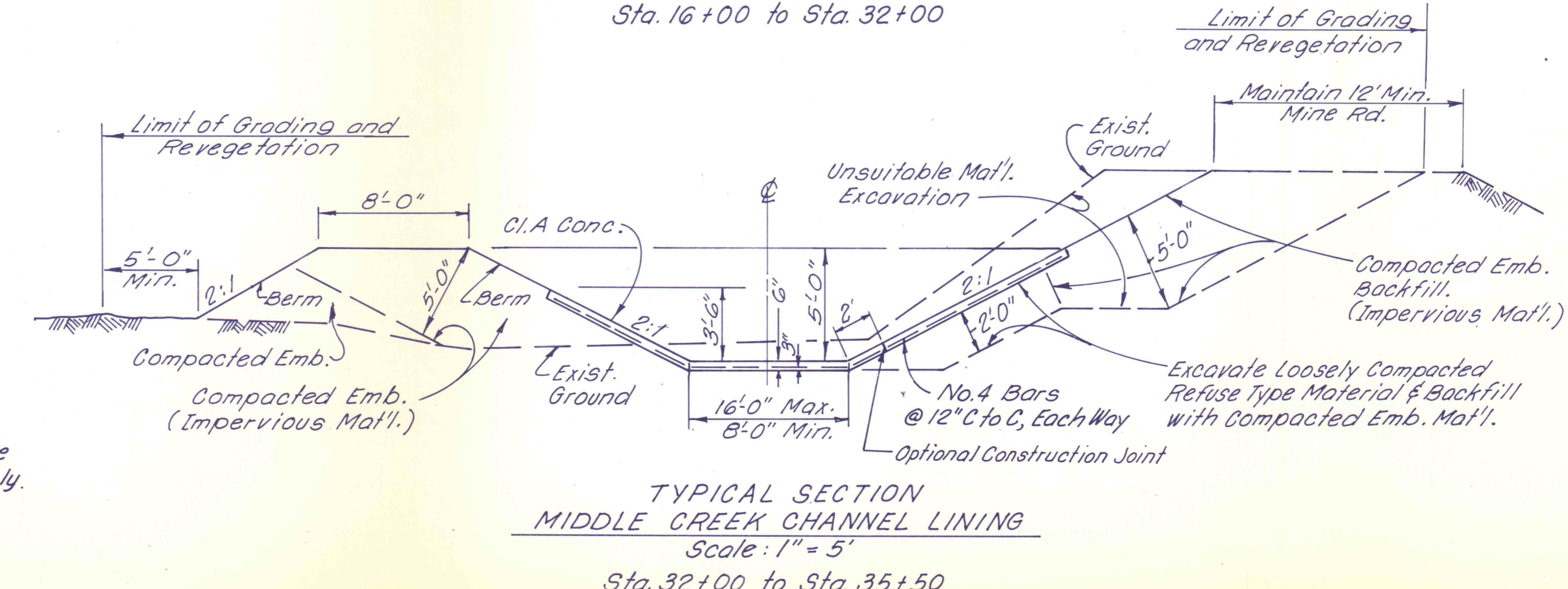
TYPICAL SECTION UPPER MIDDLE CREEK CHANNEL LINING
Scale: 1" = 5'



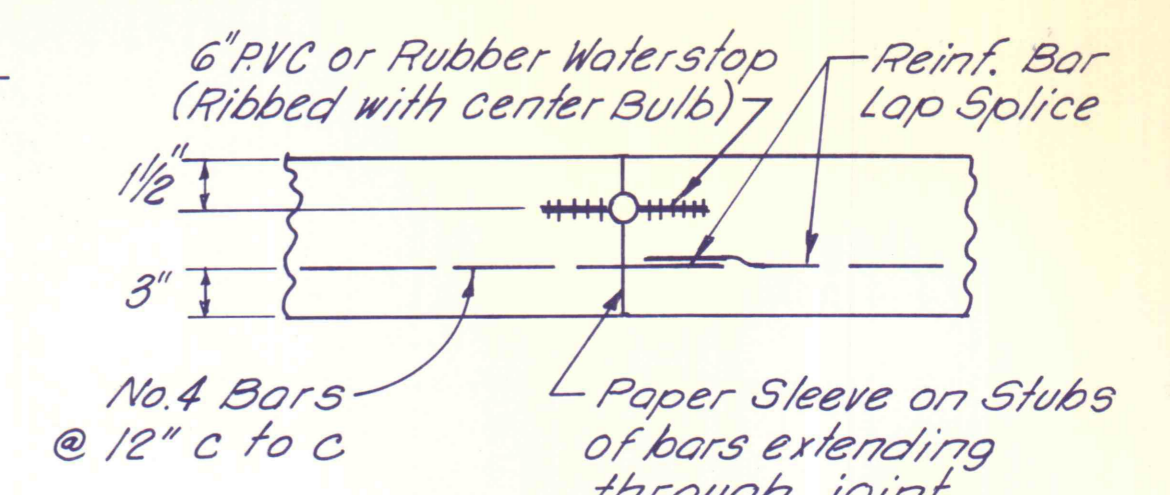
TYPICAL SECTION MIDDLE CREEK CHANNEL LINING
Scale: 1" = 5'
Sta. 12+00 to Sta. 16+00



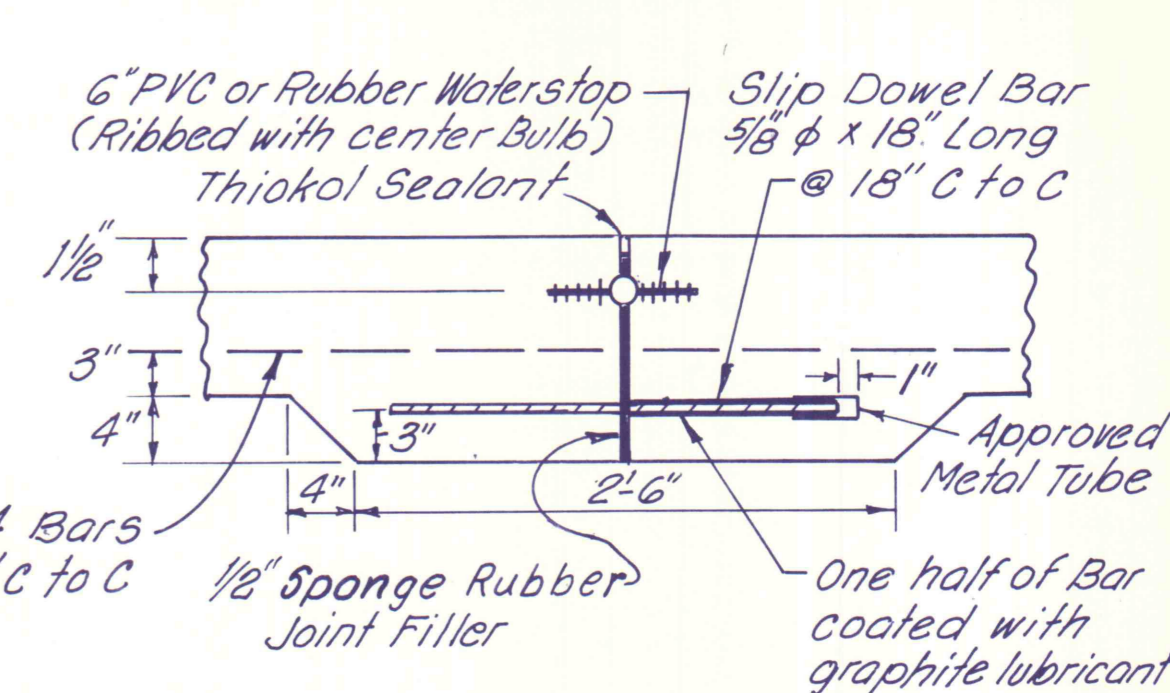
TYPICAL SECTION MIDDLE CREEK CHANNEL LINING
Scale: 1" = 5'
Sta. 16+00 to Sta. 32+00



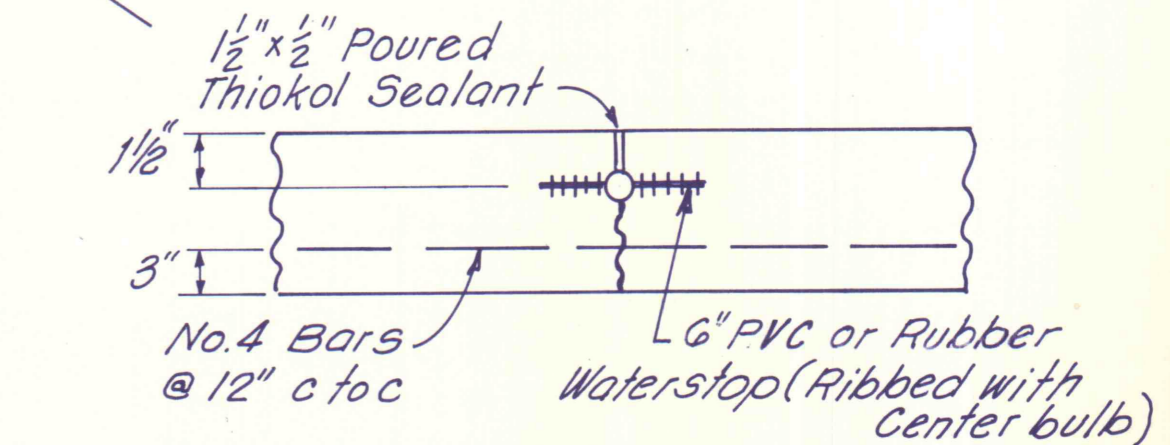
TYPICAL SECTION MIDDLE CREEK CHANNEL LINING
Scale: 1" = 5'
Sta. 32+00 to Sta. 35+50



Construction Joint - as required



Expansion Joint 90' Spacing



Contraction Joint - 30' Spacing

JOINT DETAILS
No Scale

NO	DATE	REVISION	APPR.

SUBMITTED
Norman E. Mutchler
PROFESSIONAL

APPROVED
Robert C. Roman
CHIEF - DIVISION OF MINE DRAINAGE REHABILITATION

APPROVED
dwPenege
DIRECTOR - BUREAU OF CONSULTING SERVICES



COMMONWEALTH OF PENNSYLVANIA
DEPARTMENT OF ENVIRONMENTAL RESOURCES
OFFICE OF ENGINEERING AND CONSTRUCTION

PROJECT NO. SL-126-2-7
MINE DRAINAGE
POLLUTION ABATEMENT
SWATARA CREEK WATERSHED
SCHUYLKILL COUNTY

BERGER ASSOCIATES, INC.
Consulting Engineers
P.O. Box 1943
Harrisburg, Penna.

TYPICAL SECTIONS
UPPER MIDDLE CREEK
AND MIDDLE CREEK

DRAWN BY
J. S.
CHECKED BY
M. W.

DATE
APR. 17, 1973
SCALE
AS SHOWN

DRAWING NO.
40 of 43